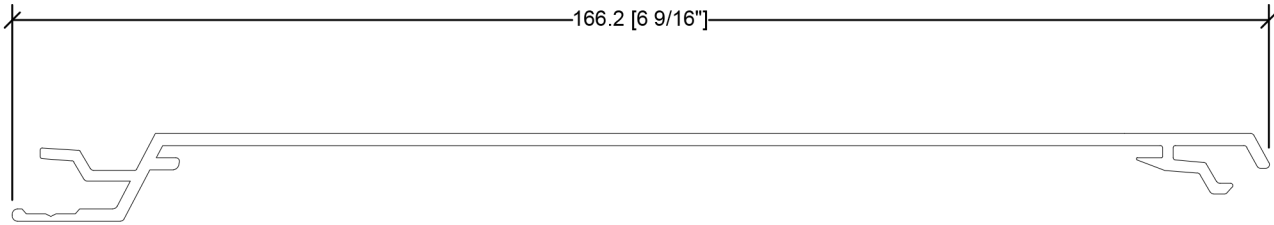


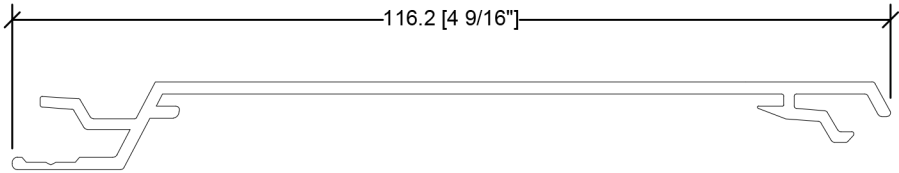


PIECES PER BUNDLE=X



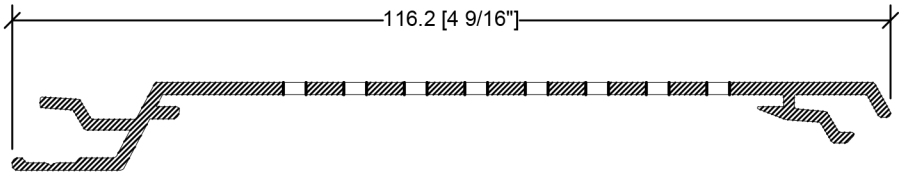
6" Panel

NTX.P.6.01
 - Anodized
 - Wood Patterned



4" Panel

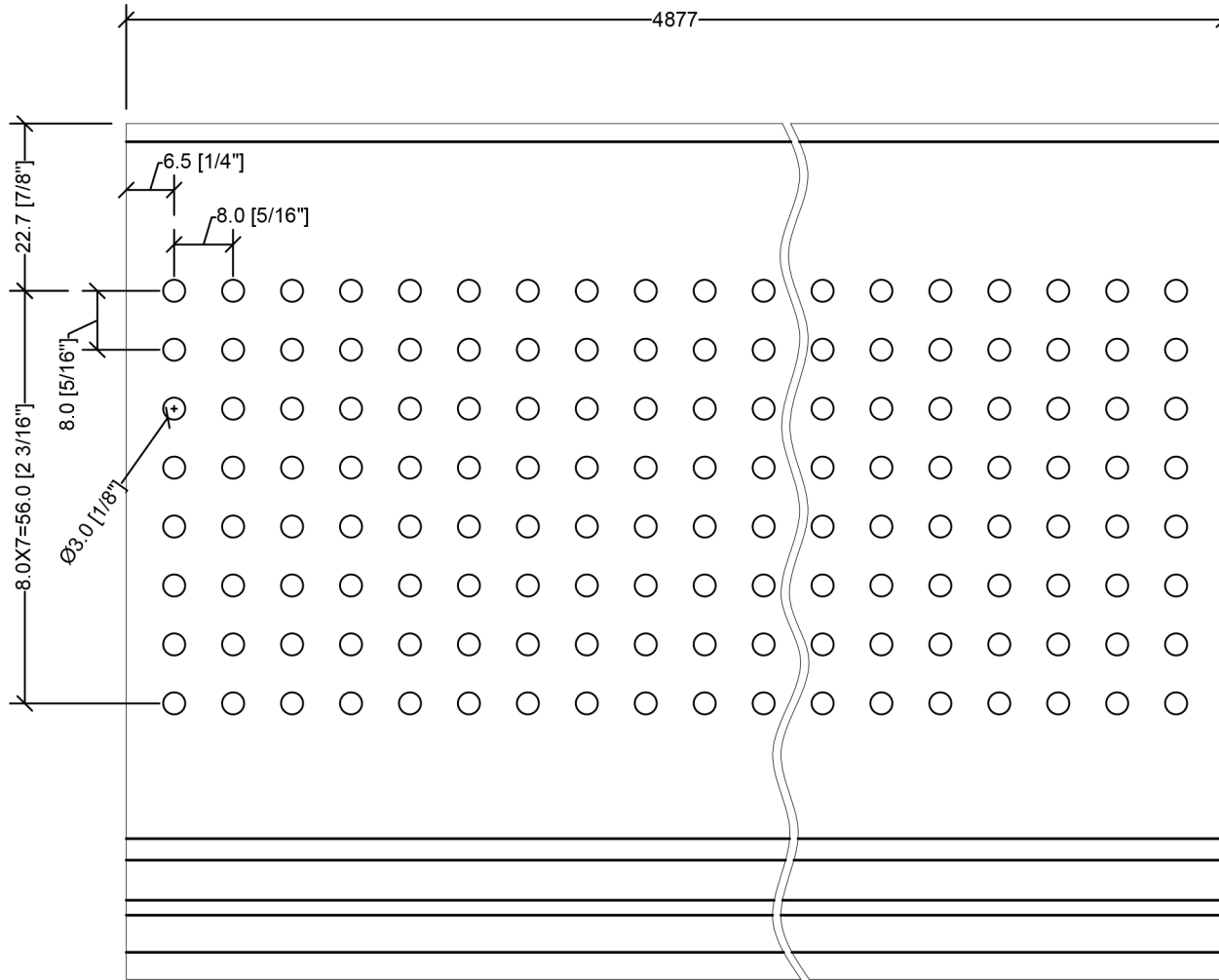
NTX.P.4.01
 - Anodized
 - Wood Patterned



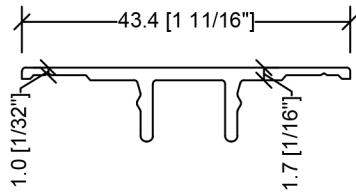
4" Panel Perforated

NTX.P.4P.01
 - Anodized
 - Wood Patterned

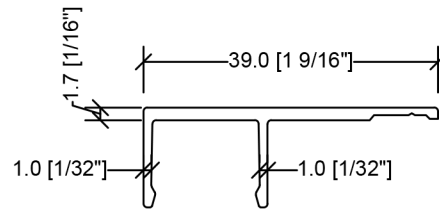
SITE: XXX	XX DRAWING NO.		XX PROJECT NO.	MM,DD,YY DATE.	133 Romina Drive, Concord L4K4Z9 ON, Canada +1 888 308 8898 www.nortem.ca
TITLE: DETAIL 9	1:2 SCALE AT A4.	AD DRAWN.	XX CHECKED.	00 REVISION.	



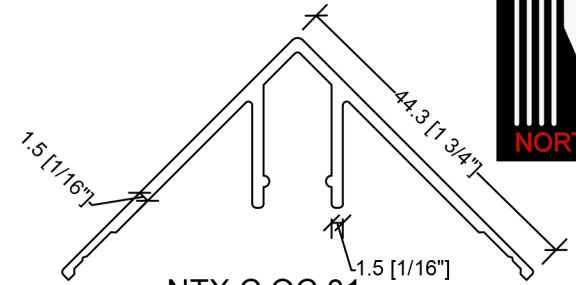
SITE: XXX	XX DRAWING NO.	XX PROJECT NO.	MM,DD,YY DATE.	133 Romina Drive, Concord L4K4Z9 ON, Canada +1 888 308 8898 www.nortem.ca
TITLE: DETAIL 9	1:2 SCALE AT A4.	AD DRAWN.	XX CHECKED.	



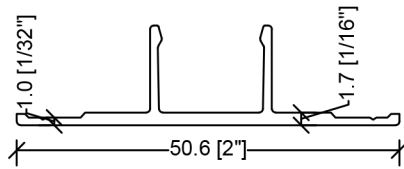
NTX.C.H.01
 - Anodized
 - Wood Patterned



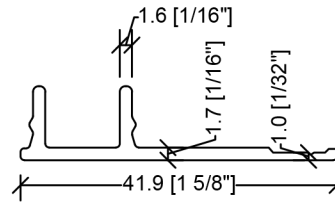
NTX.C.F.01
 - Anodized
 - Wood Patterned



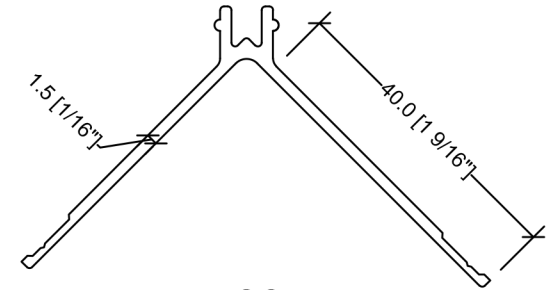
NTX.C.OC.01
 - Anodized
 - Wood Patterned



NTX.B.H.01
 - Mill Finish



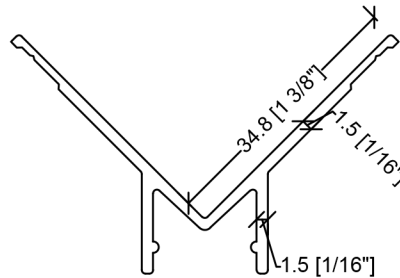
NTX.B.F.01
 - Mill Finish



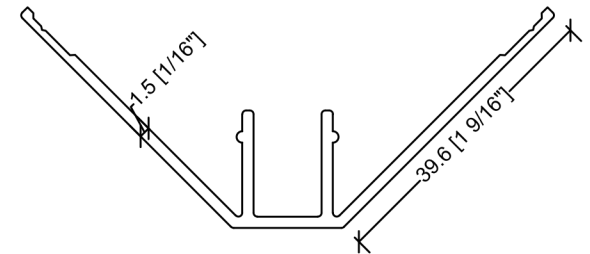
NTX.B.OC.01
 - Mill Finish



NTX.T.C.01

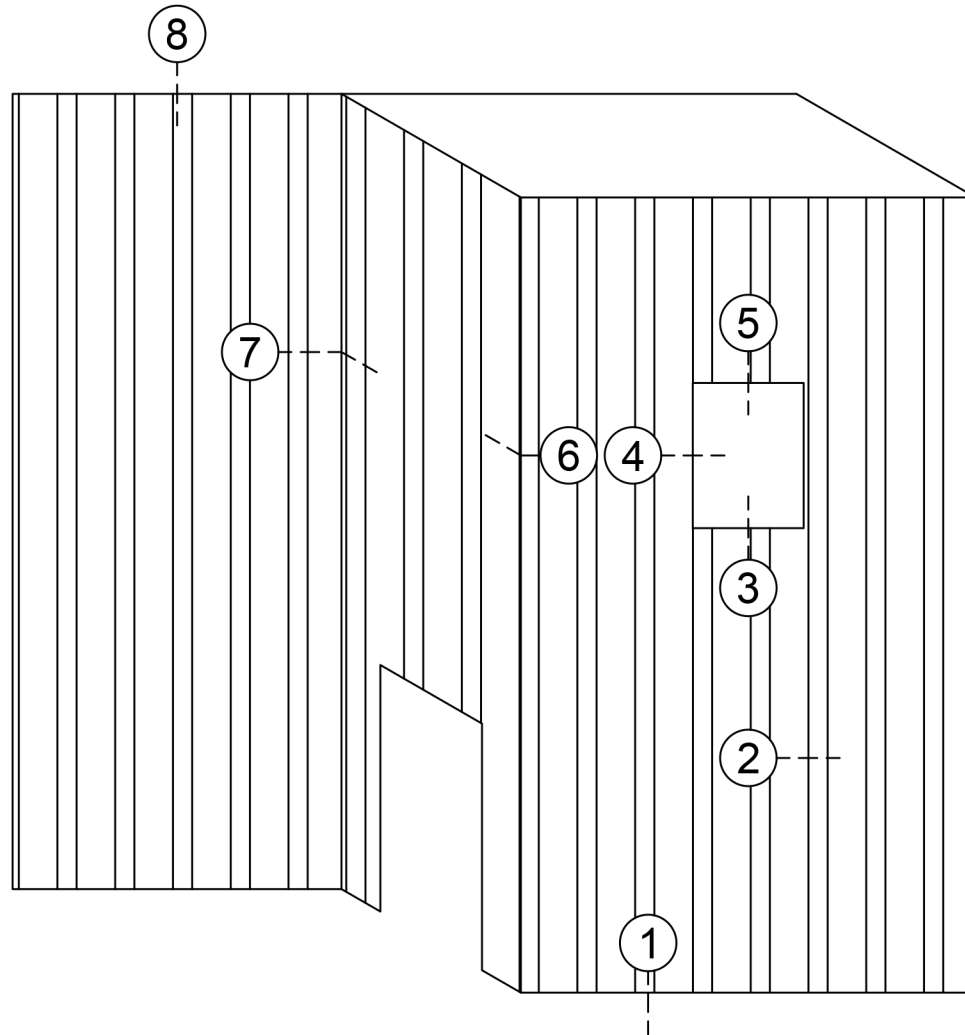


NTX.C.IC.01
 - Anodized
 - Wood Patterned

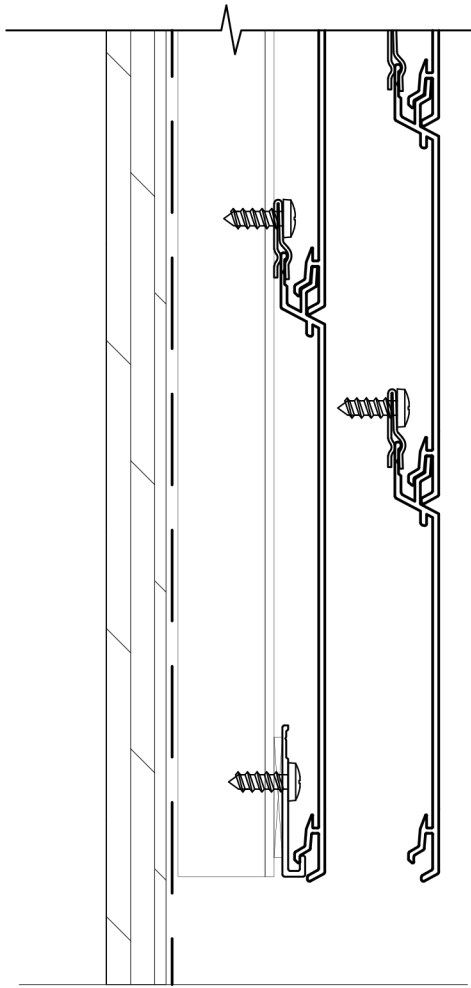


NTX.B.IC.01
 - Mill Finish

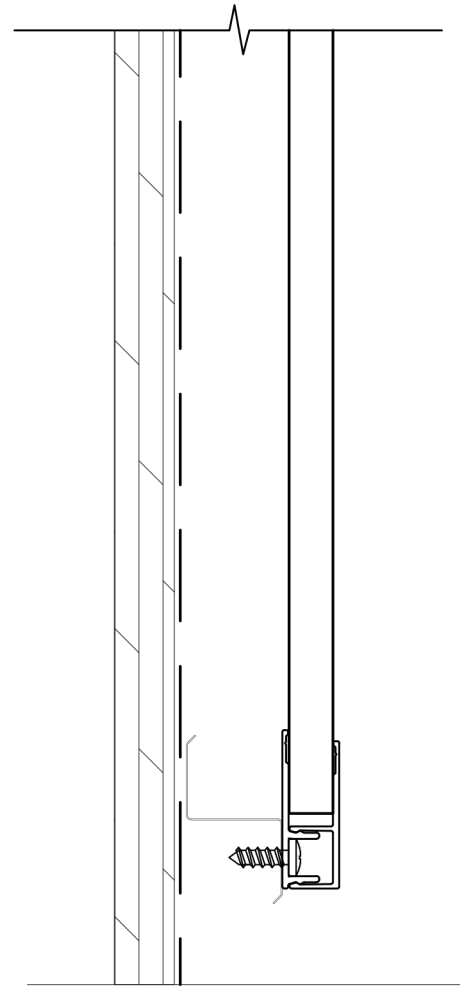
SITE: XXX	XX DRAWING NO.		XX PROJECT NO.	MM,DD,YY DATE.	133 Romina Drive, Concord L4K4Z9 ON, Canada +1 888 308 8898 www.nortem.ca
TITLE: DETAIL 9	1:2 SCALE AT A4.	AD DRAWN.	XX CHECKED.	00 REVISION.	



SITE: XXX	XX DRAWING NO.		XX PROJECT NO.	MM,DD,YY DATE.	133 Romina Drive, Concord L4K4Z9 ON, Canada +1 888 308 8898 www.nortem.ca
TITLE: DETAIL 9	1:2 SCALE AT A4.	AD DRAWN.	XX CHECKED.	00 REVISION.	

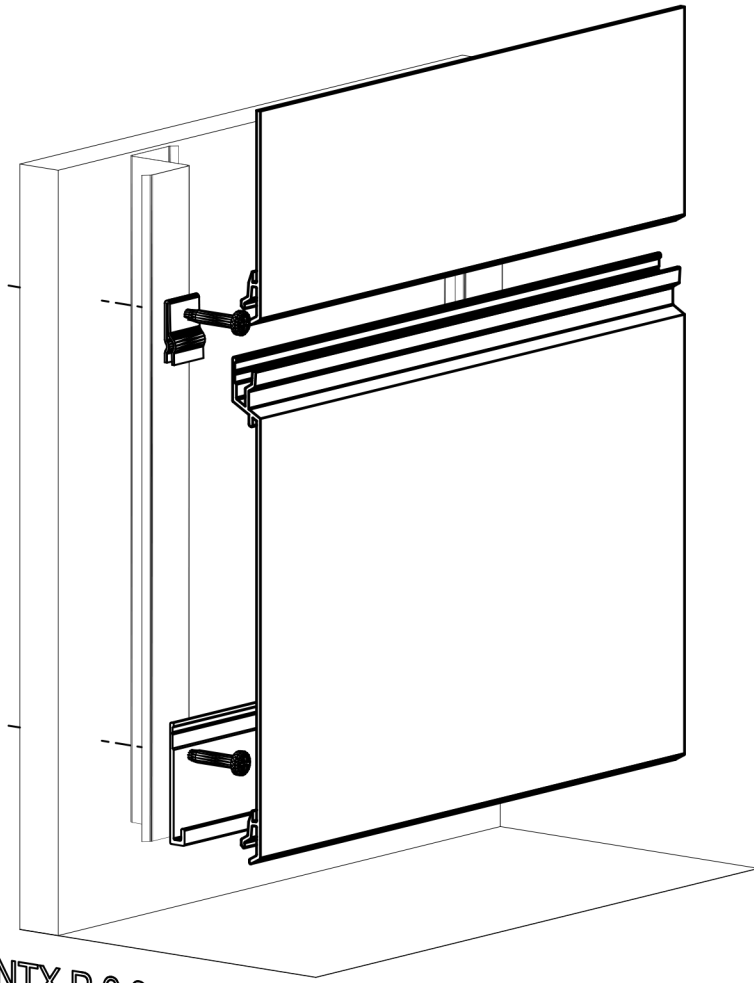


NTX.P.6.01 HORIZ.
NTX.P.4.01 HORIZ.

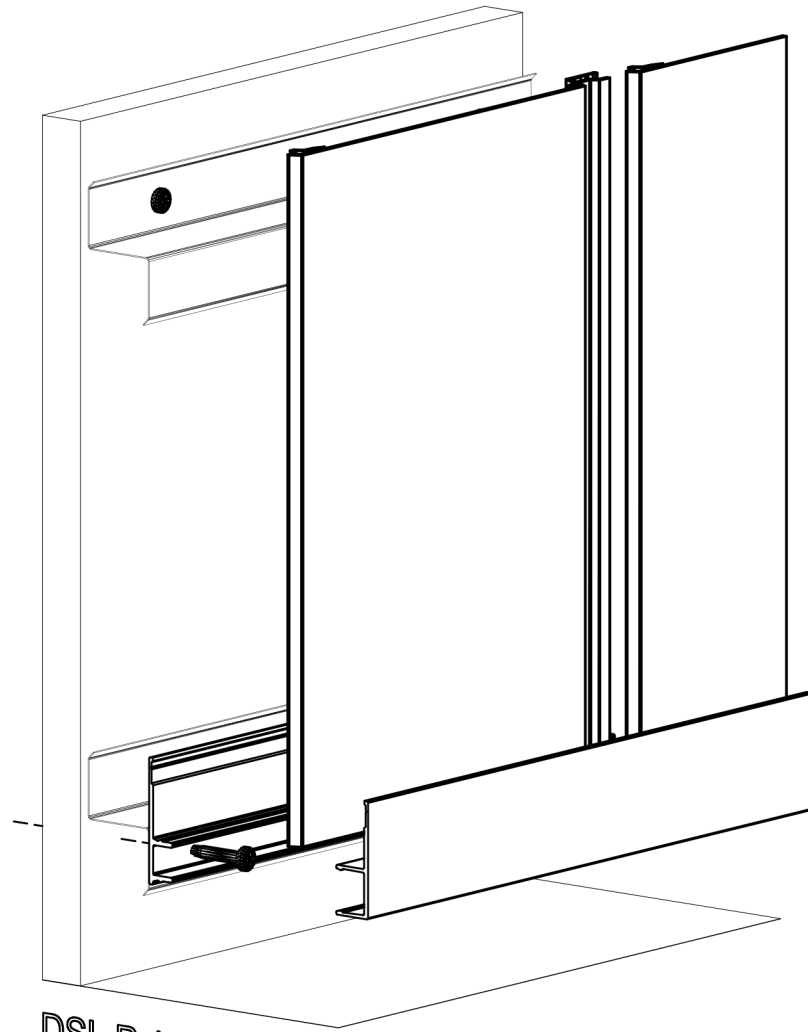


NTX.P.6.01 VERT.
NTX.P.4.01 VERT.

SITE: XXX	XX DRAWING NO.		XX PROJECT NO.	MM,DD,YY DATE.	133 Romina Drive, Concord L4K4Z9 ON, Canada +1 888 308 8898 www.nortem.ca
TITLE: DETAIL 9	1:2 SCALE AT A4.	AD DRAWN.	XX CHECKED.	00 REVISION.	

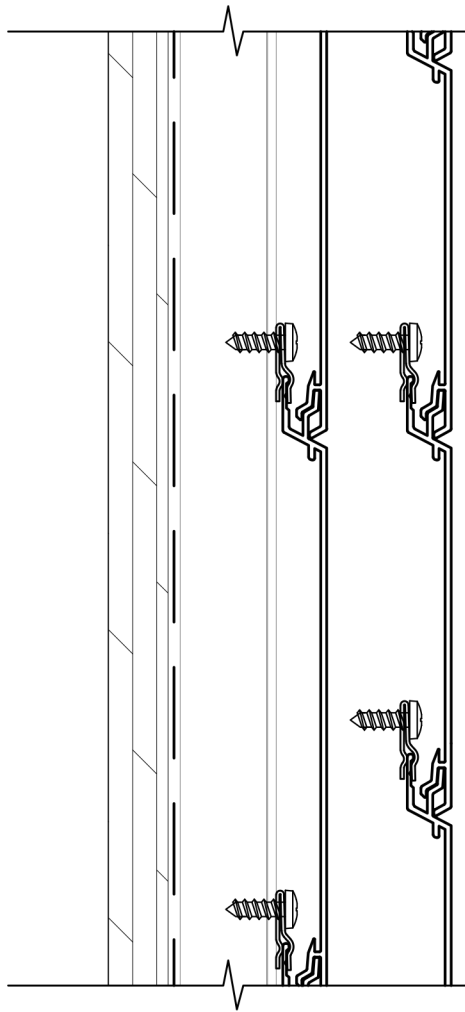


NTX.P.6.01 HORIZ.

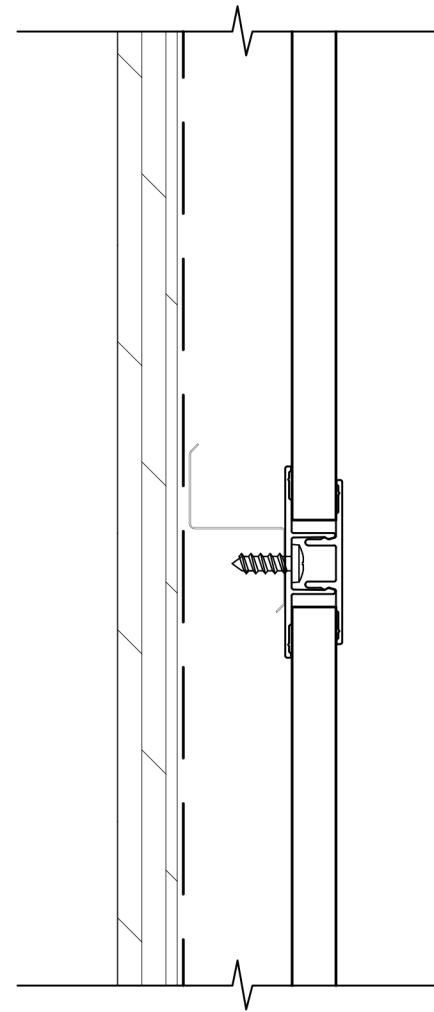


DSL.P.102.01 VERT.

SITE: XXX	XX DRAWING NO.		XX PROJECT NO.	MM,DD,YY DATE.	133 Romina Drive, Concord L4K4Z9 ON, Canada +1 888 308 8898 www.nortem.ca
TITLE: DETAIL 9	1:2 SCALE AT A4.	AD DRAWN.	XX CHECKED.	00 REVISION.	

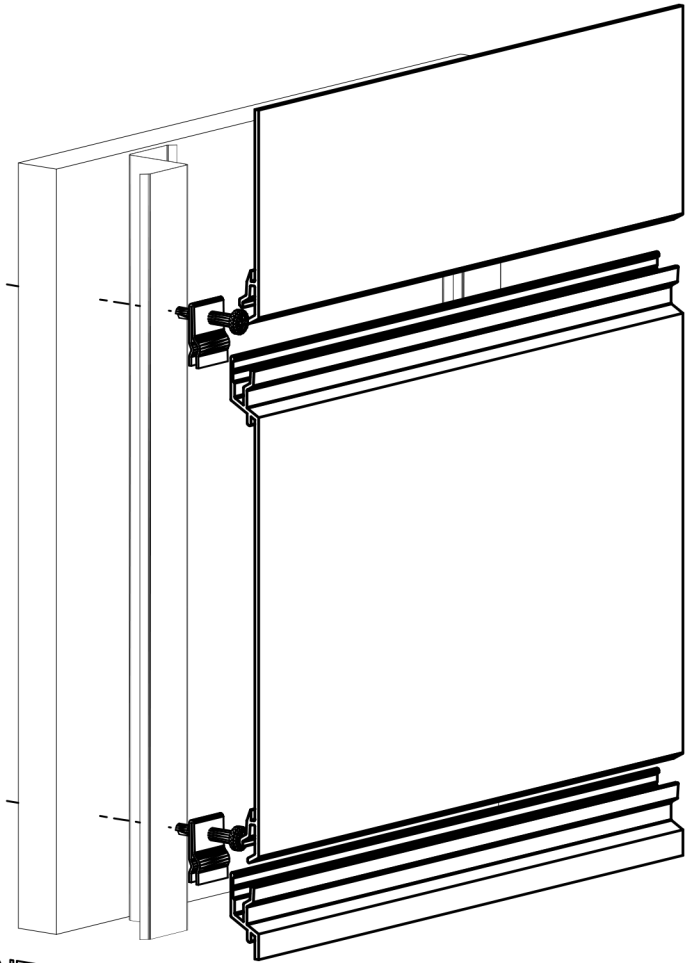


NTX.P.6.01 HORIZ.
NTX.P.4.01 HORIZ.

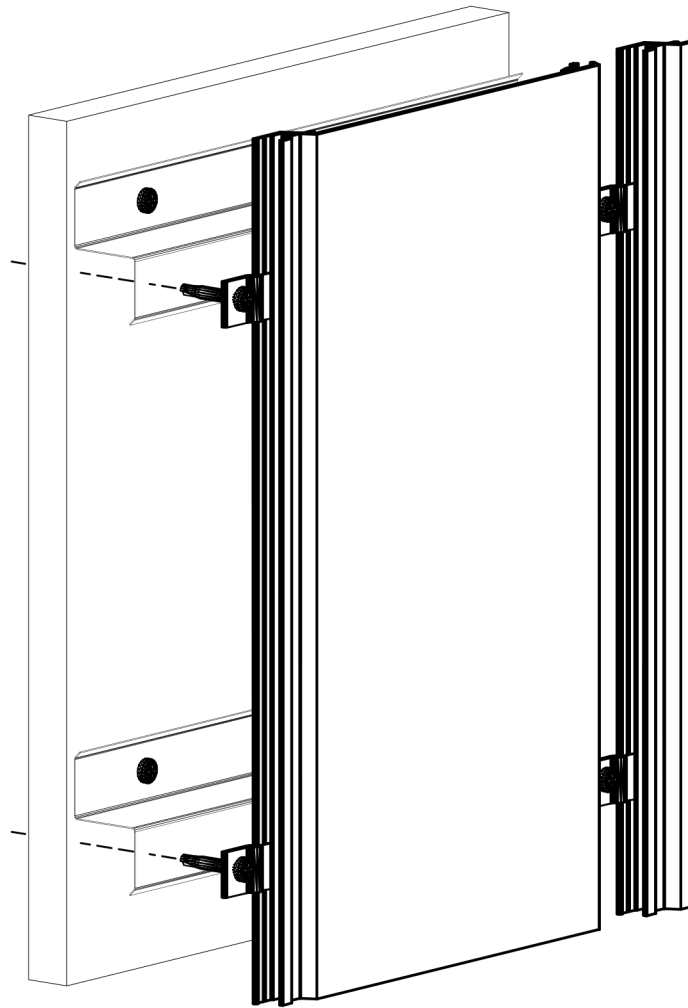


NTX.P.6.01 VERT.
NTX.P.4.01 VERT.

SITE: XXX	XX DRAWING NO.		XX PROJECT NO.	MM,DD,YY DATE.	133 Romina Drive, Concord L4K4Z9 ON, Canada +1 888 308 8898 www.nortem.ca
TITLE: DETAIL 9	1:2 SCALE AT A4.	AD DRAWN.	XX CHECKED.	00 REVISION.	

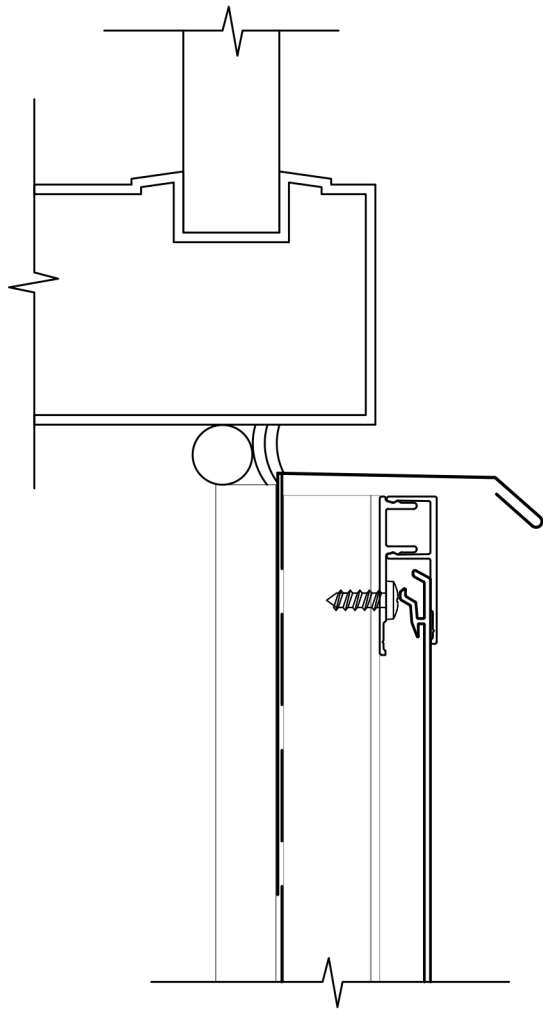


NTX.P.6.01 HORIZ.

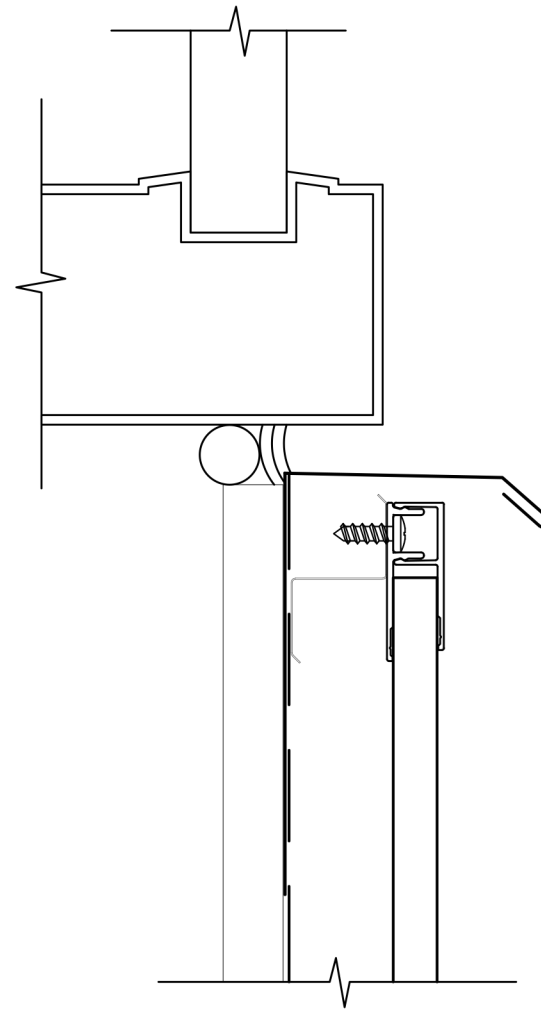


NTX.P.6.01 VERT.

SITE: XXX	XX DRAWING NO.		XX PROJECT NO.	MM,DD,YY DATE.	133 Romina Drive, Concord L4K4Z9 ON, Canada +1 888 308 8898 www.nortem.ca
TITLE: DETAIL 9	1:2 SCALE AT A4.	AD DRAWN.	XX CHECKED.	00 REVISION.	

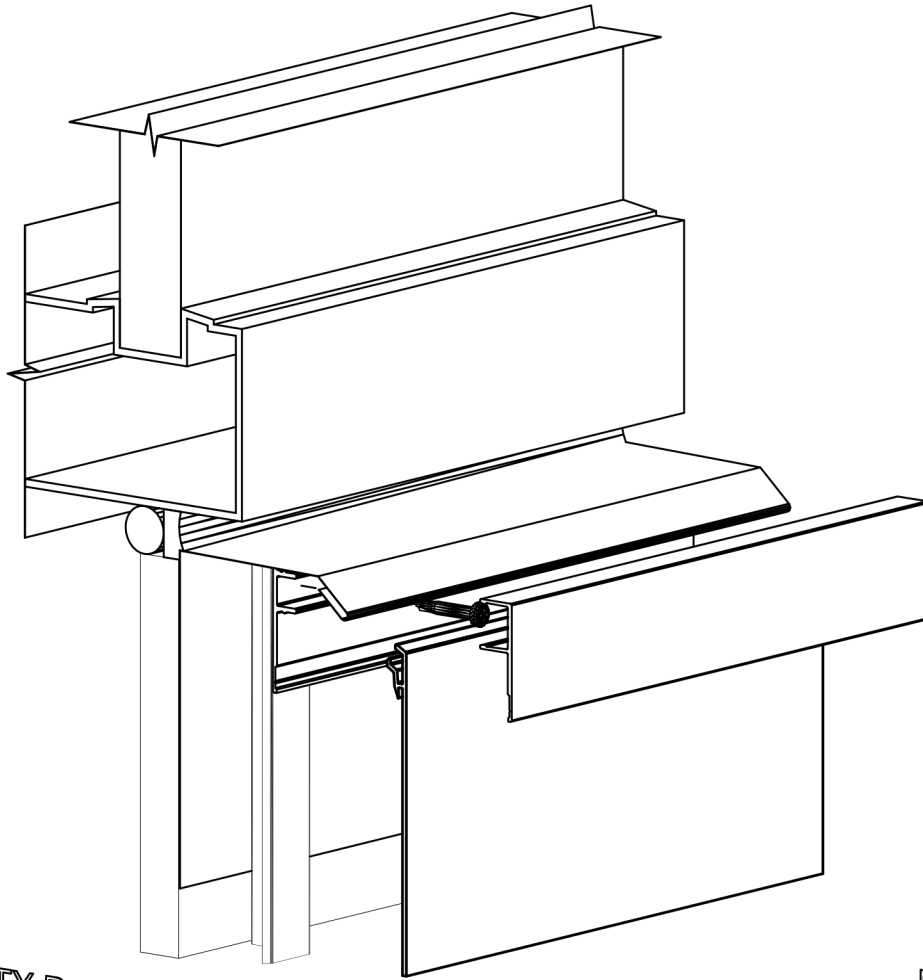


NTX.P.6.01 HORIZ.
NTX.P.4.01 HORIZ.

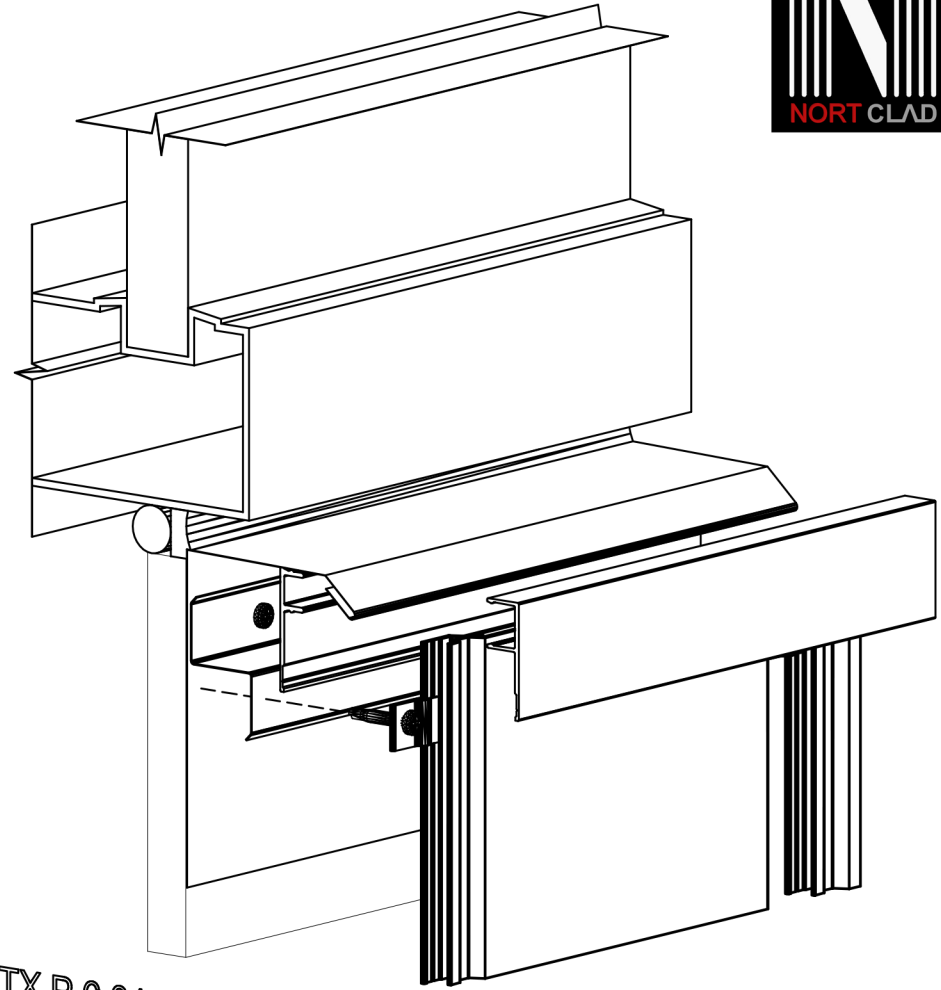


NTX.P.6.01 VERT.
NTX.P.4.01 VERT.

SITE: XXX	XX DRAWING NO.		XX PROJECT NO.	MM,DD,YY DATE.	133 Romina Drive, Concord L4K4Z9 ON, Canada +1 888 308 8898 www.nortem.ca
TITLE: DETAIL 9	1:2 SCALE AT A4.	AD DRAWN.	XX CHECKED.	00 REVISION.	

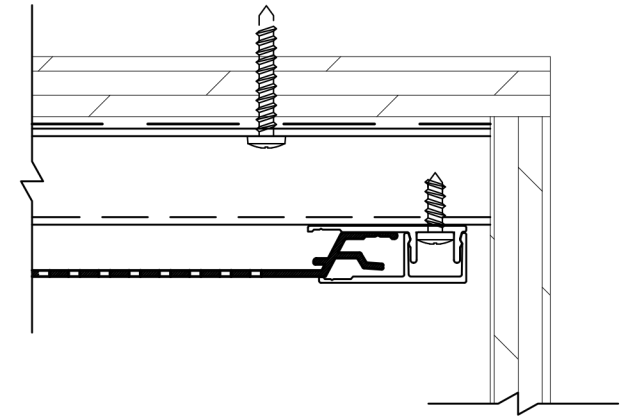
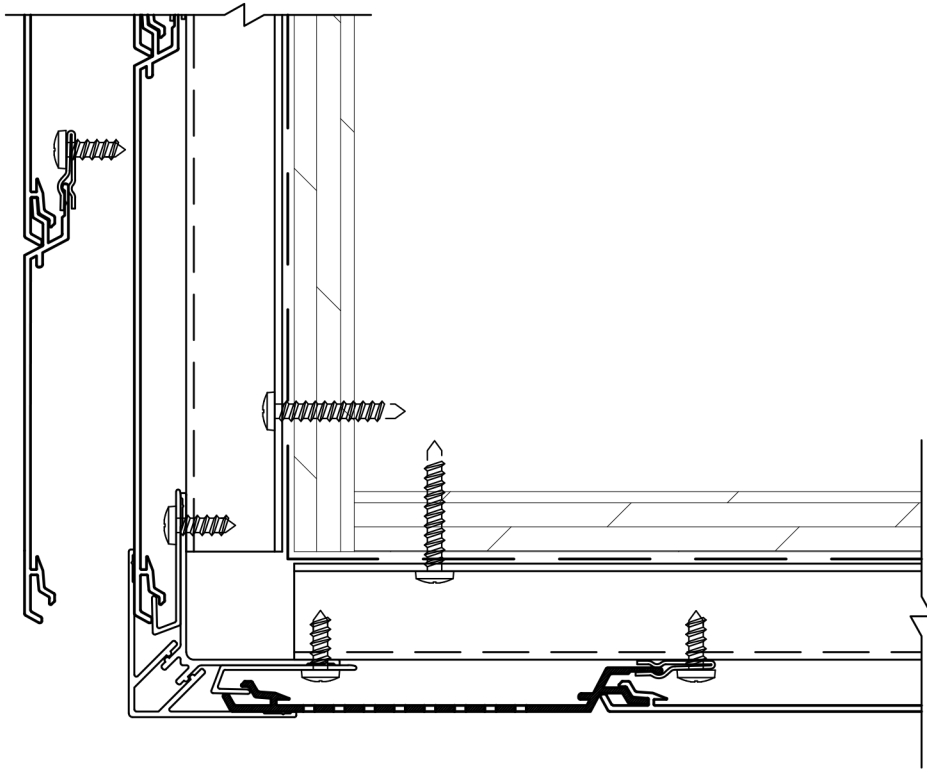


NTX.P.6.01 HORIZ.



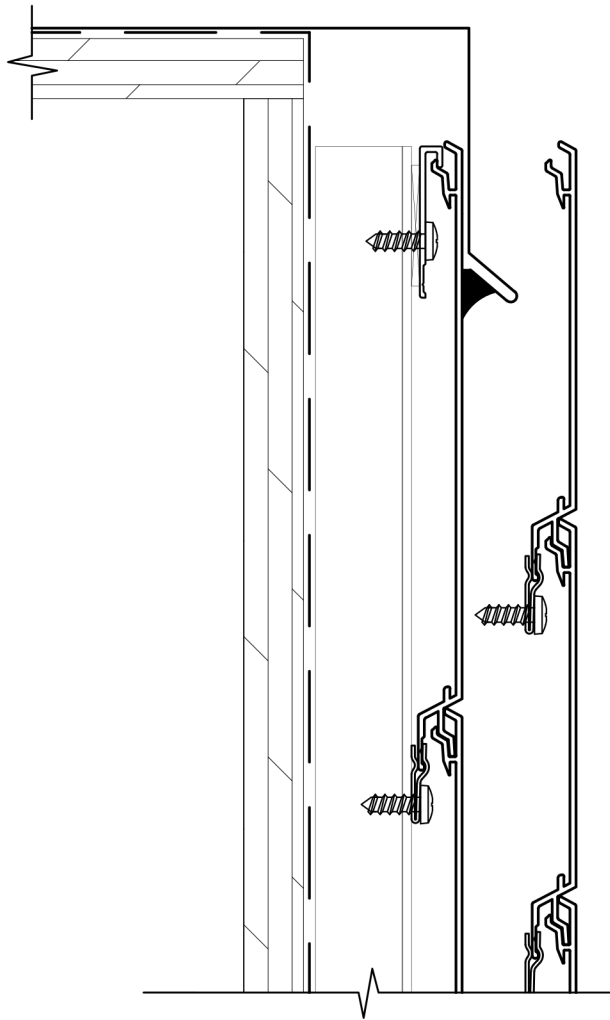
NTX.P.6.01 VERT.

SITE:	XXX	XX	XX	MM,DD,YY	133 Romina Drive, Concord L4K4Z9 ON, Canada +1 888 308 8898 www.nortem.ca
TITLE:	DETAIL 9	DRAWING NO.	PROJECT NO.	DATE.	
		1:2 SCALE AT A4.	AD DRAWN.	XX CHECKED.	00 REVISION.

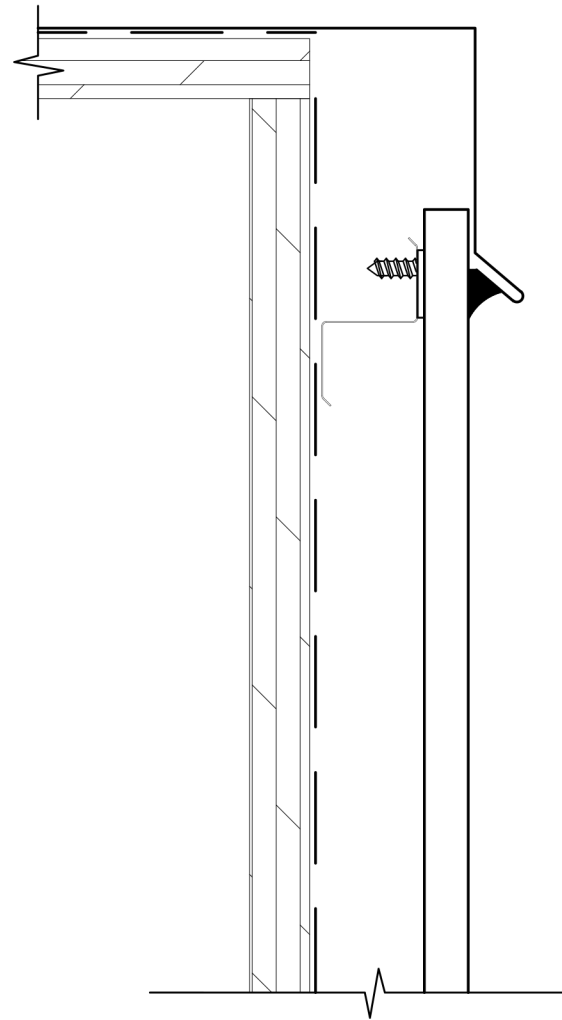


NTX.P.6.01 VERT.
 NTX.P.4.01 VERT.
 NTX.P.4P.01 VERT.

SITE: XXX	XX DRAWING NO.		XX PROJECT NO.	MM,DD,YY DATE.	133 Romina Drive, Concord L4K4Z9 ON, Canada +1 888 308 8898 www.nortem.ca
TITLE: DETAIL 9	1:2 SCALE AT A4.	AD DRAWN.	XX CHECKED.	00 REVISION.	

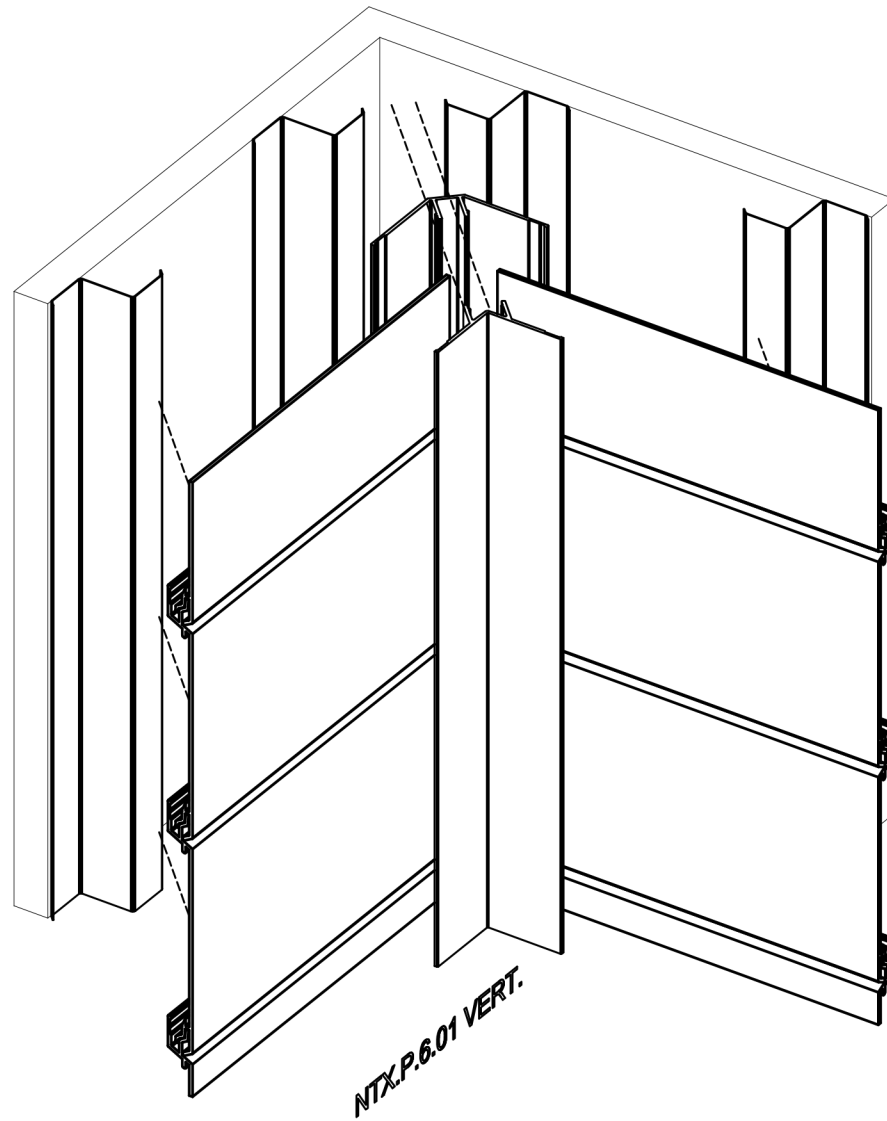


NTX.P.6.01 HORIZ.
NTX.P.4.01 HORIZ.



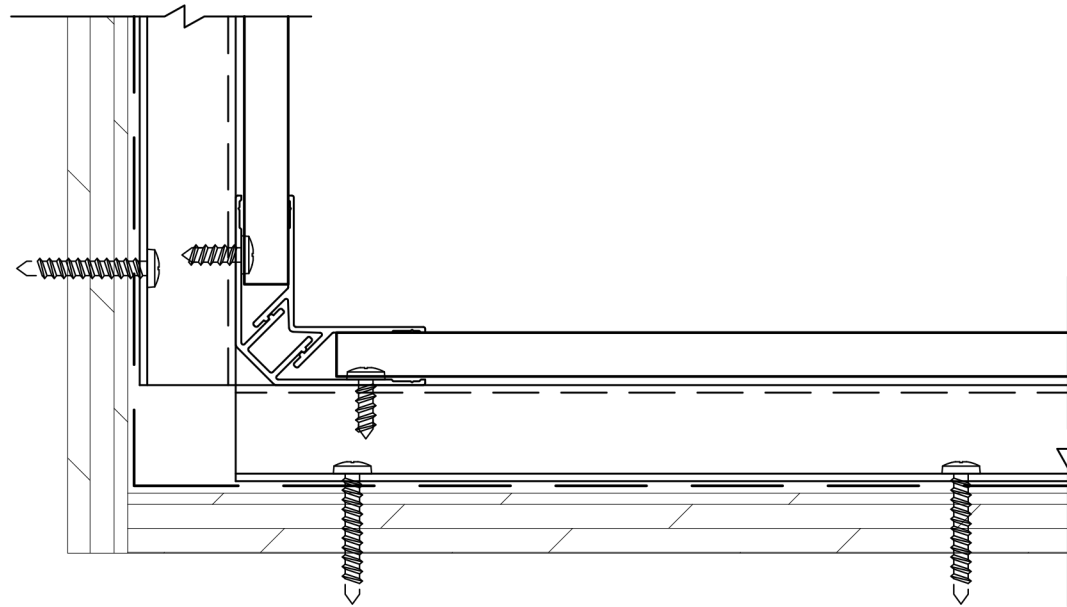
NTX.P.6.01 VERT.
NTX.P.4.01 VERT.

SITE: XXX	XX DRAWING NO.		XX PROJECT NO.	MM,DD,YY DATE.	133 Romina Drive, Concord L4K4Z9 ON, Canada +1 888 308 8898 www.nortem.ca
TITLE: DETAIL 9	1:2 SCALE AT A4.	AD DRAWN.	XX CHECKED.	00 REVISION.	



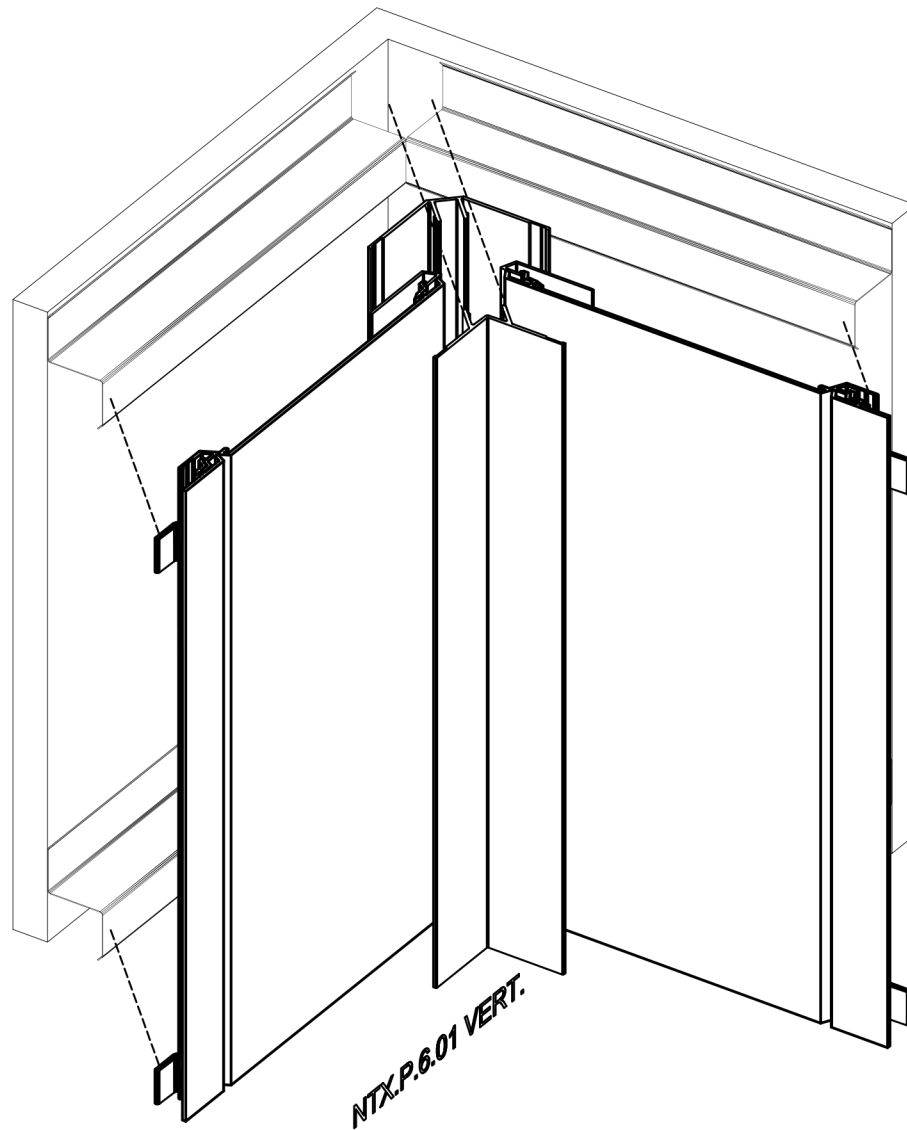
NTX.P.6.01 VERT.

SITE:	XXX	XX	XX	MM,DD,YY	133 Romina Drive, Concord L4K4Z9 ON, Canada +1 888 308 8898 www.nortem.ca
TITLE:	DETAIL 9	DRAWING NO.	PROJECT NO.	DATE.	
		1:2 SCALE AT A4.	AD DRAWN.	XX CHECKED.	00 REVISION.



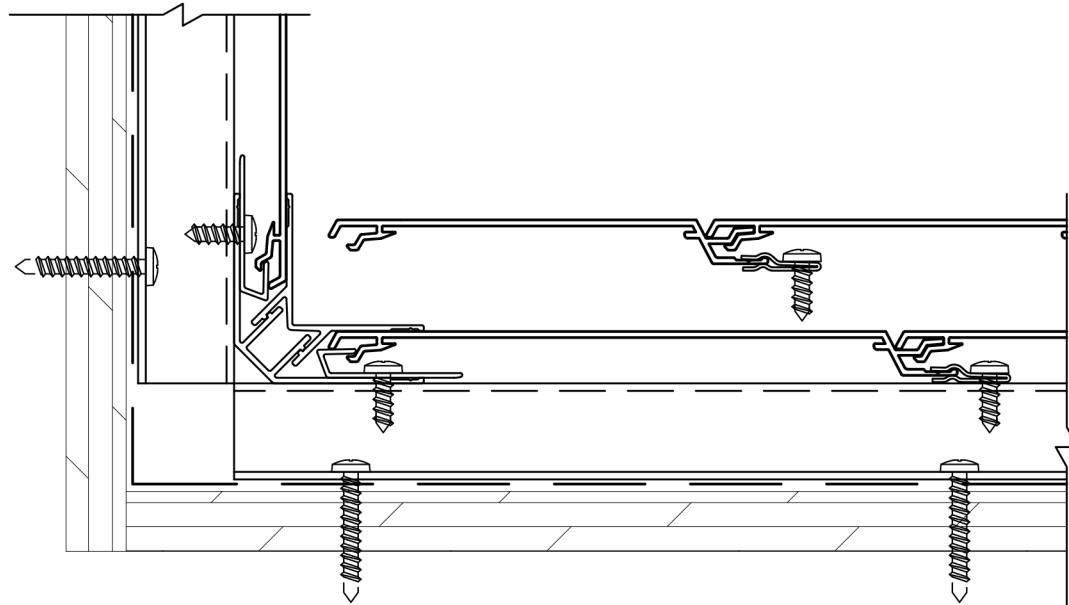
NTX.P.6.01 HORIZ.
 NTX.P.4.01 HORIZ.

SITE: XXX	XX DRAWING NO.		XX PROJECT NO.	MM,DD,YY DATE.	133 Romina Drive, Concord L4K4Z9 ON, Canada +1 888 308 8898 www.nortem.ca
TITLE: DETAIL 9	1:2 SCALE AT A4.	AD DRAWN.	XX CHECKED.	00 REVISION.	



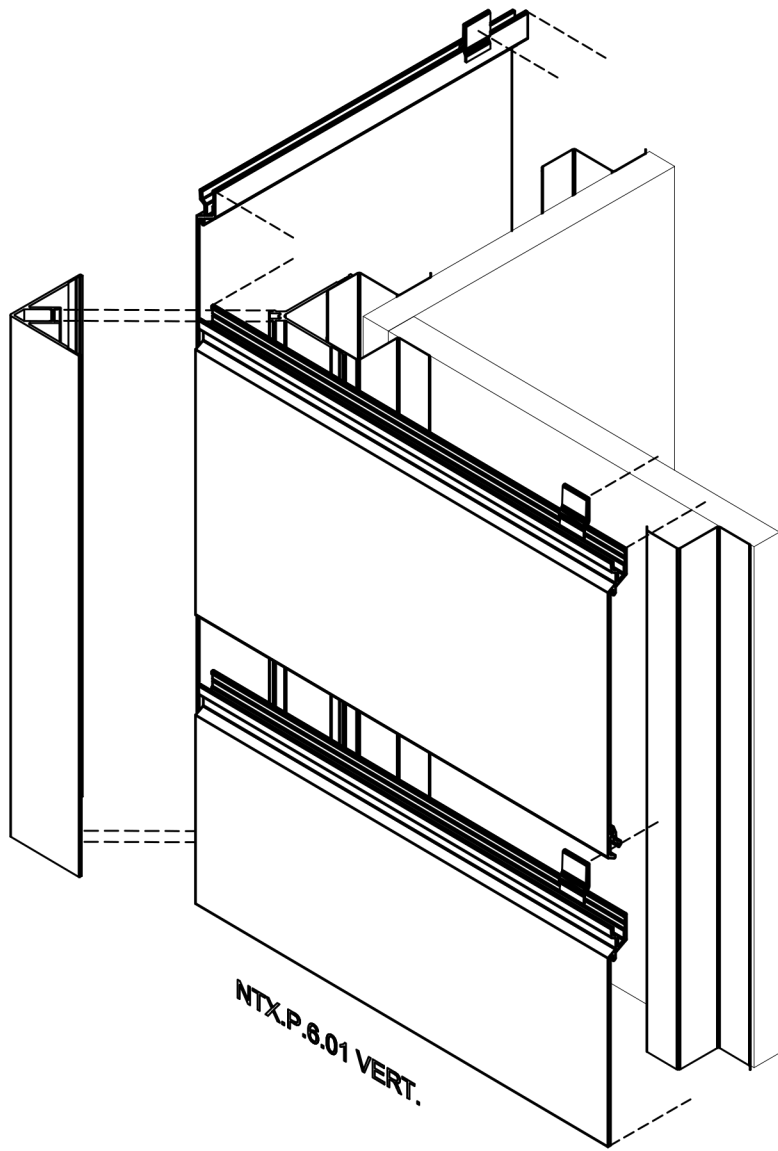
NTX.P.6.01 VERT.

SITE:	XXX	XX	XX	MM,DD,YY	133 Romina Drive, Concord L4K4Z9 ON, Canada +1 888 308 8898 www.nortem.ca
TITLE:	DETAIL 9	1:2 SCALE AT A4.	AD DRAWN.	XX CHECKED.	



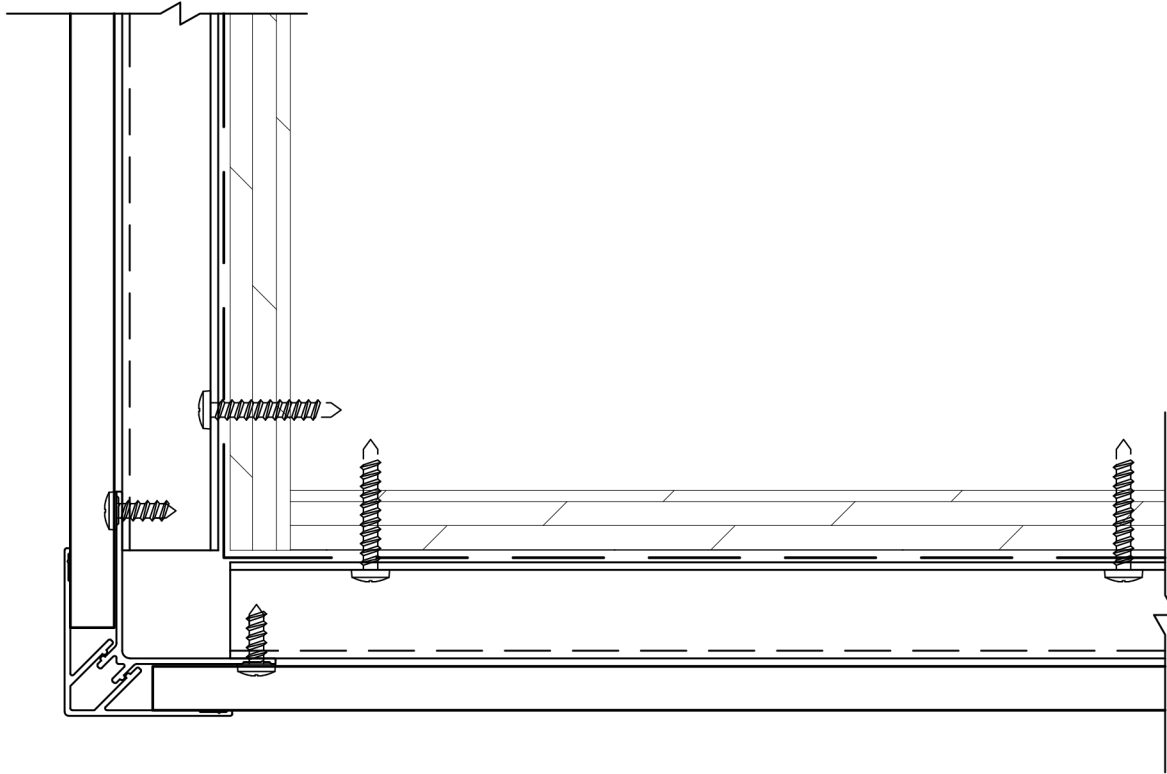
NTX.P.6.01 VERT.
NTX.P.4.01 VERT.

SITE: XXX	XX DRAWING NO.		XX PROJECT NO.	MM,DD,YY DATE.	133 Romina Drive, Concord L4K4Z9 ON, Canada +1 888 308 8898 www.nortem.ca
TITLE: DETAIL 9	1:2 SCALE AT A4.	AD DRAWN.	XX CHECKED.	00 REVISION.	



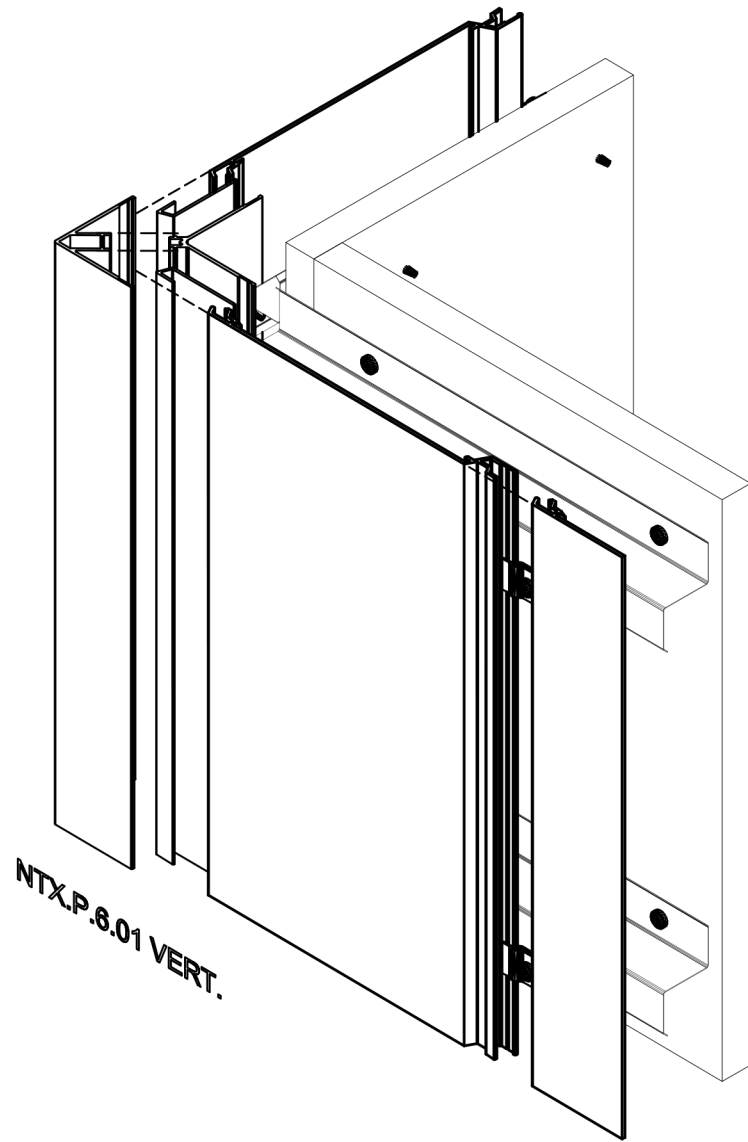
NTX.P.8.01 VERT.

SITE: XXX	XX DRAWING NO.		XX PROJECT NO.	MM,DD,YY DATE.	133 Romina Drive, Concord L4K4Z9 ON, Canada +1 888 308 8898 www.nortem.ca
TITLE: DETAIL 9	1:2 SCALE AT A4.	AD DRAWN.	XX CHECKED.	00 REVISION.	



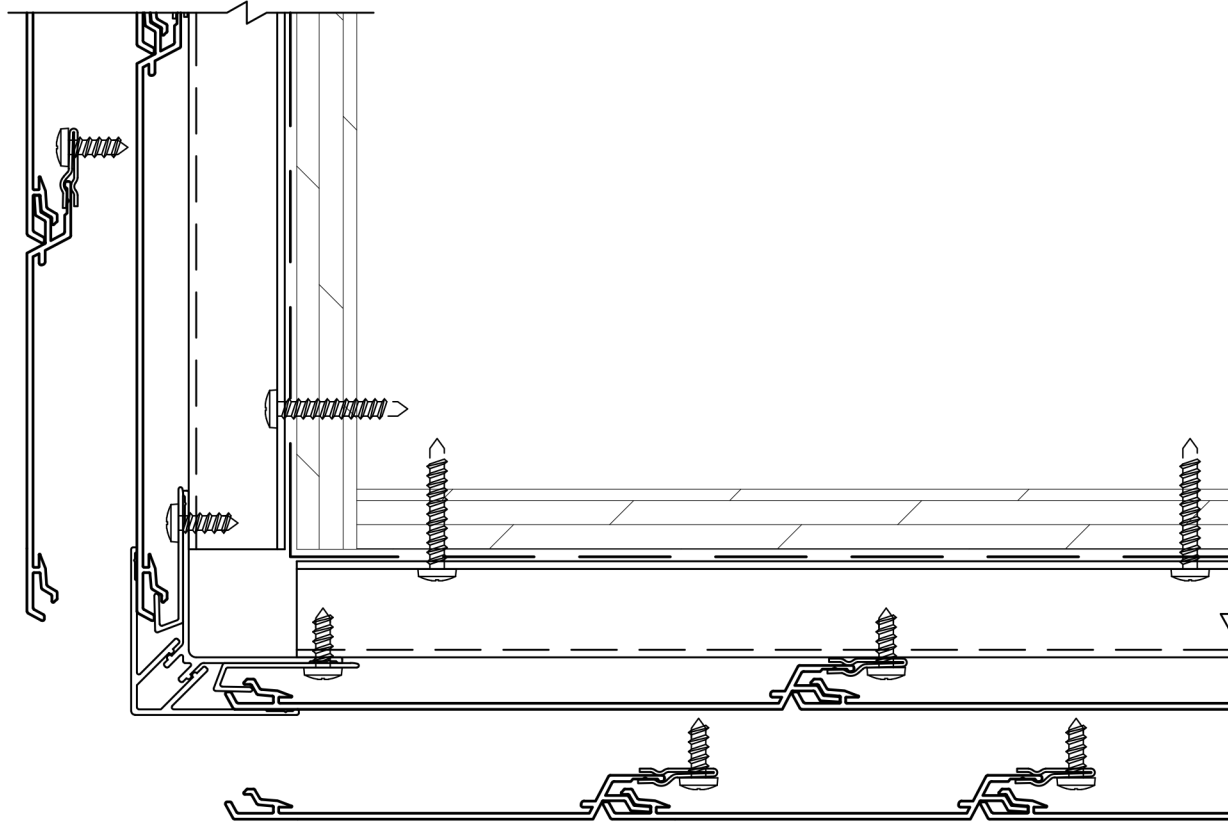
NTX.P.6.01 HORIZ.
NTX.P.4.01 HORIZ.

SITE: XXX	XX DRAWING NO.		XX PROJECT NO.	MM,DD,YY DATE.	133 Romina Drive, Concord L4K4Z9 ON, Canada +1 888 308 8898 www.nortem.ca
TITLE: DETAIL 9	1:2 SCALE AT A4.	AD DRAWN.	XX CHECKED.	00 REVISION.	



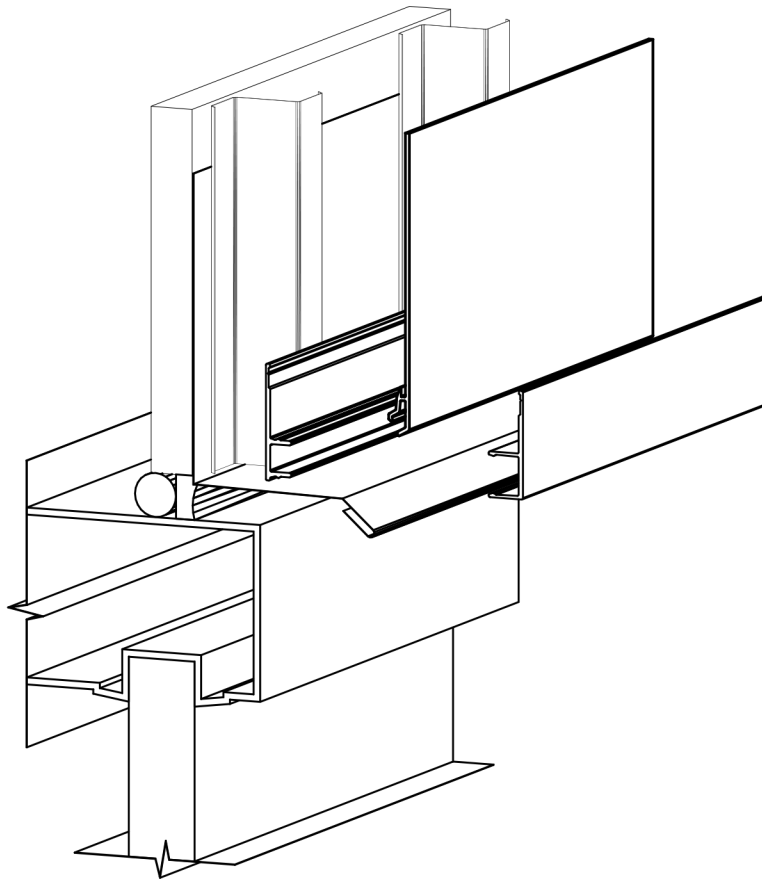
NTX.P.6.01 VERT.

SITE:	XXX	XX	XX	MM,DD,YY	133 Romina Drive, Concord L4K4Z9 ON, Canada +1 888 308 8898 www.nortem.ca
TITLE:	DETAIL 9	DRAWING NO.	PROJECT NO.	DATE.	
		1:2 SCALE AT A4.	AD DRAWN.	XX CHECKED.	00 REVISION.

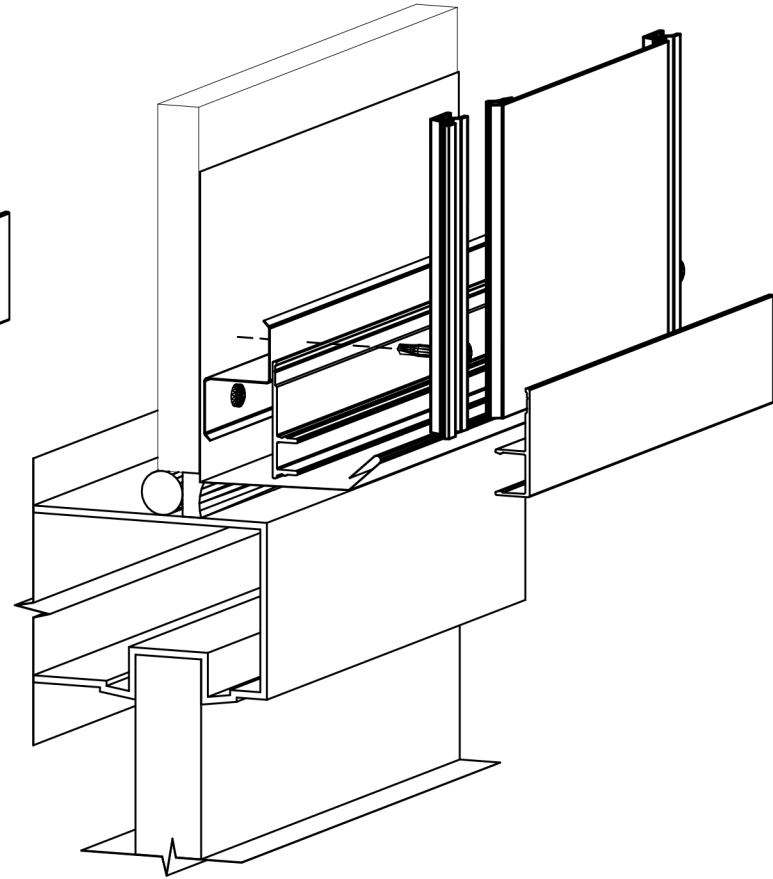


NTX.P.6.01 VERT.
NTX.P.4.01 VERT.

SITE: XXX	XX DRAWING NO.		XX PROJECT NO.	MM,DD,YY DATE.	133 Romina Drive, Concord L4K4Z9 ON, Canada +1 888 308 8898 www.nortem.ca
TITLE: DETAIL 9	1:2 SCALE AT A4.	AD DRAWN.	XX CHECKED.	00 REVISION.	

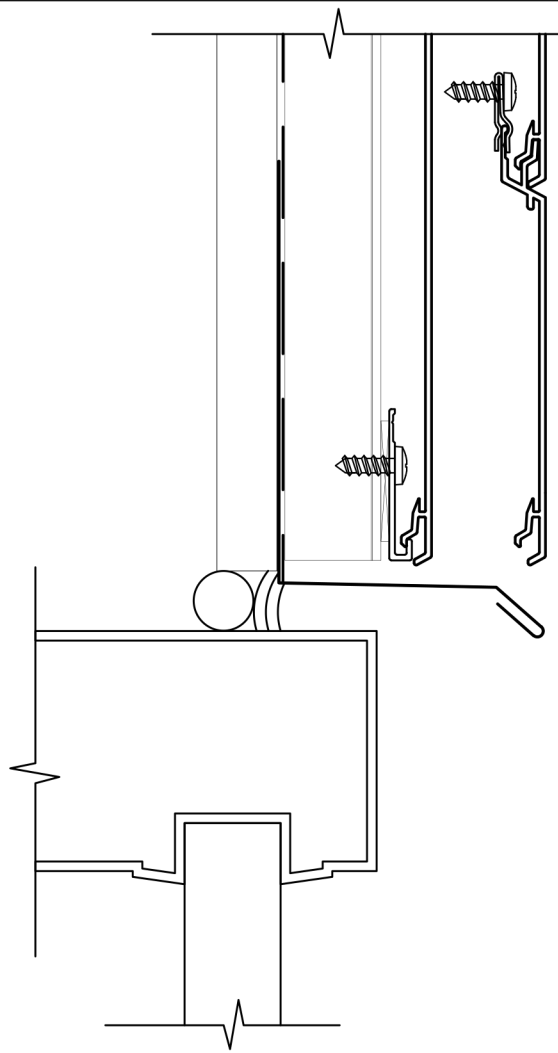


NTX.P.6.01 HORIZ.

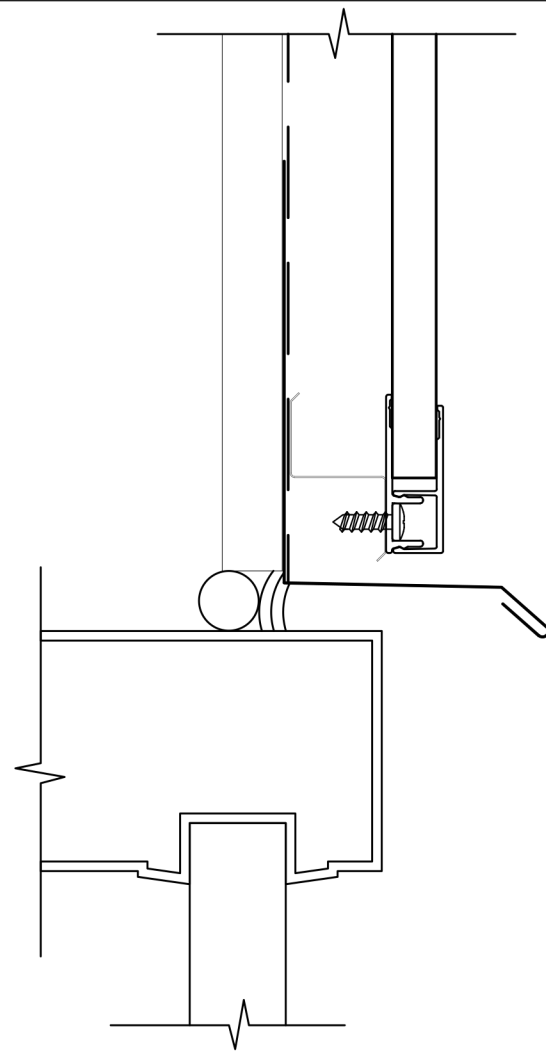


NTX.P.6.01 VERT.

SITE: XXX	XX DRAWING NO.		XX PROJECT NO.	MM,DD,YY DATE.	133 Romina Drive, Concord L4K4Z9 ON, Canada +1 888 308 8898 www.nortem.ca
TITLE: DETAIL 9	1:2 SCALE AT A4.	AD DRAWN.	XX CHECKED.	00 REVISION.	

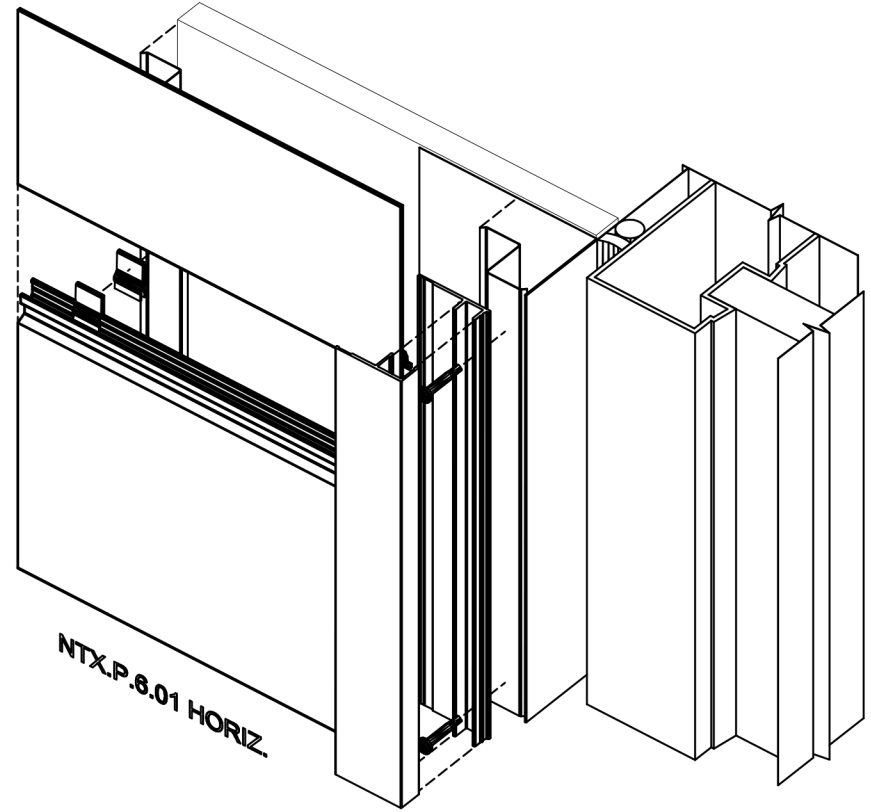
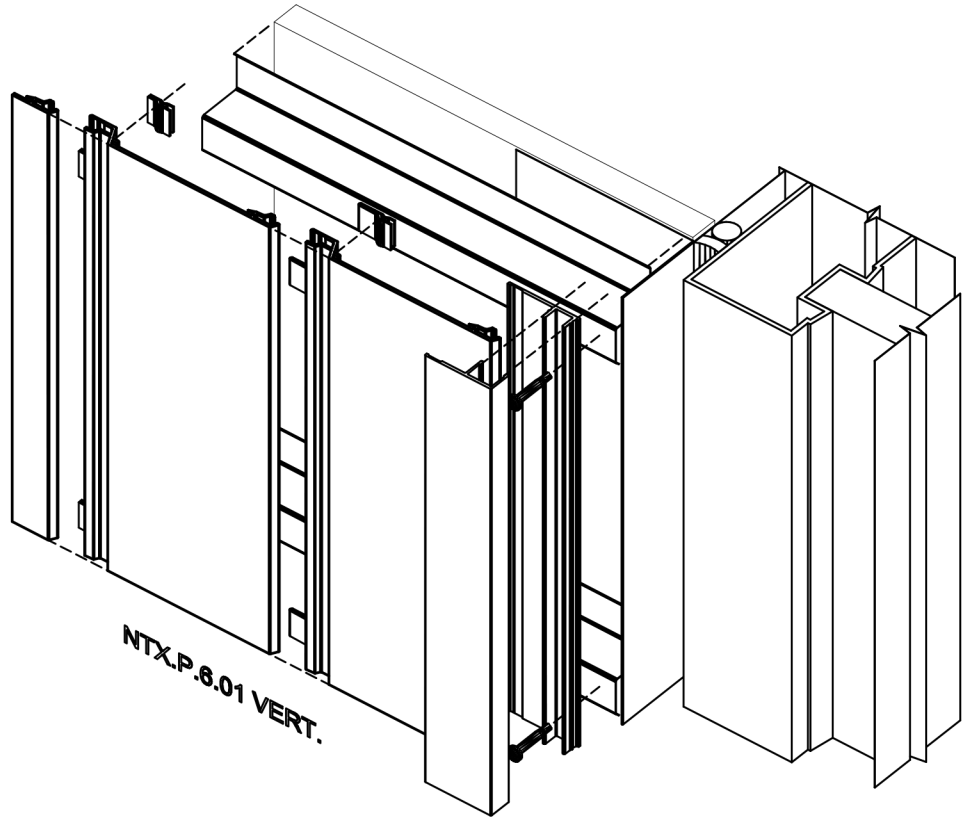


NTX.P.6.01 HORIZ.
NTX.P.4.01 HORIZ.

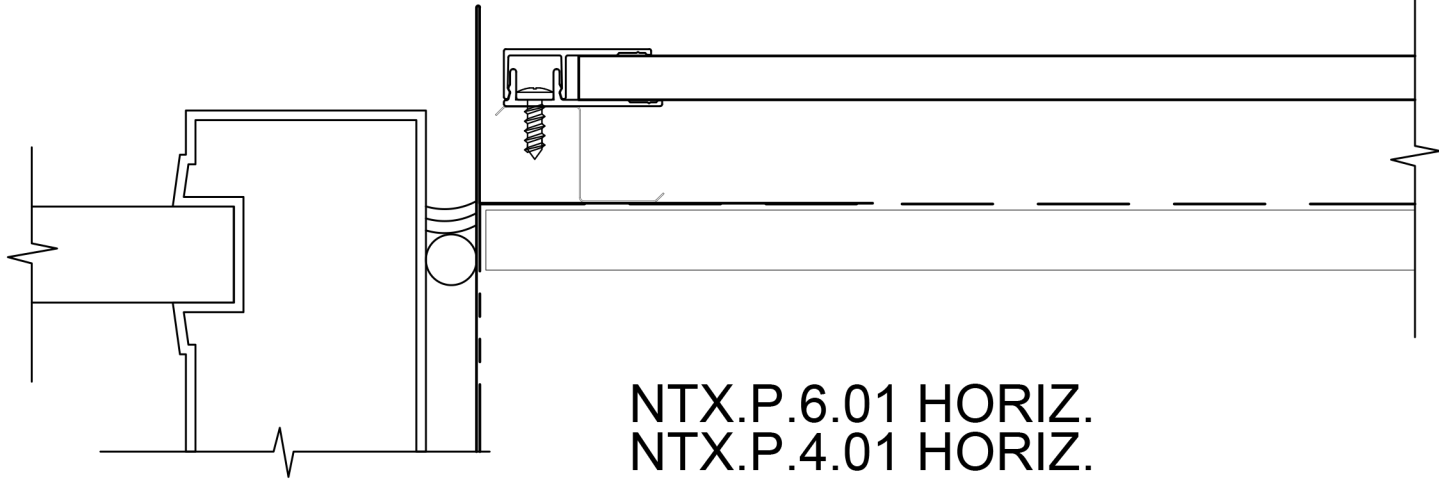


NTX.P.6.01 VERT.
NTX.P.4.01 VERT.

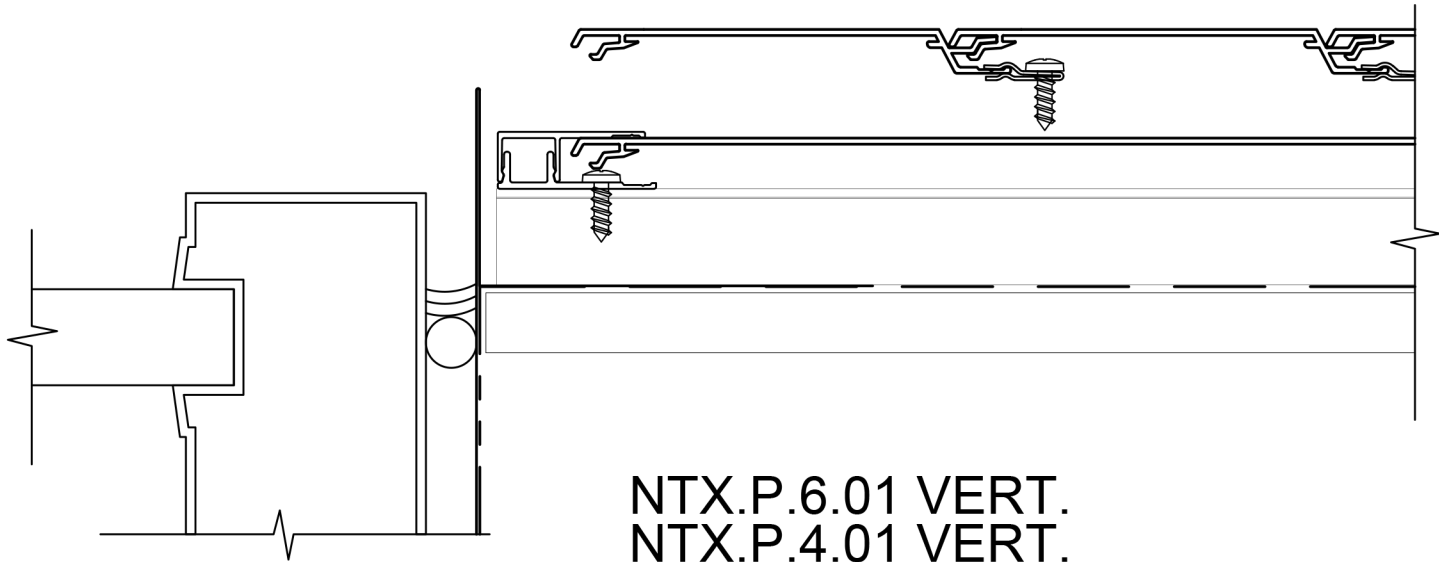
SITE:	XXX	XX	XX	MM,DD,YY	133 Romina Drive, Concord L4K4Z9 ON, Canada +1 888 308 8898 www.nortem.ca
TITLE:	DETAIL 9	DRAWING NO.	PROJECT NO.	DATE.	
		1:2 SCALE AT A4.	AD DRAWN.	XX CHECKED.	00 REVISION.



SITE: XXX	XX DRAWING NO.		XX PROJECT NO.	MM,DD,YY DATE.	133 Romina Drive, Concord L4K4Z9 ON, Canada +1 888 308 8898 www.nortem.ca
TITLE: DETAIL 9	1:2 SCALE AT A4.	AD DRAWN.	XX CHECKED.	00 REVISION.	



NTX.P.6.01 HORIZ.
NTX.P.4.01 HORIZ.



NTX.P.6.01 VERT.
NTX.P.4.01 VERT.

SITE:	XXX	XX	XX	MM,DD,YY	133 Romina Drive, Concord L4K4Z9 ON, Canada +1 888 308 8898 www.nortem.ca
TITLE:	DETAIL 9	DRAWING NO.	PROJECT NO.	DATE.	
		1:2 SCALE AT A4.	AD DRAWN.	XX CHECKED.	00 REVISION.