

REVISIONS:			
REV:	DESCRIPTION:	BY:	DATE:
A	description	by	xx/xx/xx

EXTERIOR SHEATHING
BY OTHERS

Z BAR IF REQUIRED

A/V BARRIER BY OTHERS

PVC PANEL

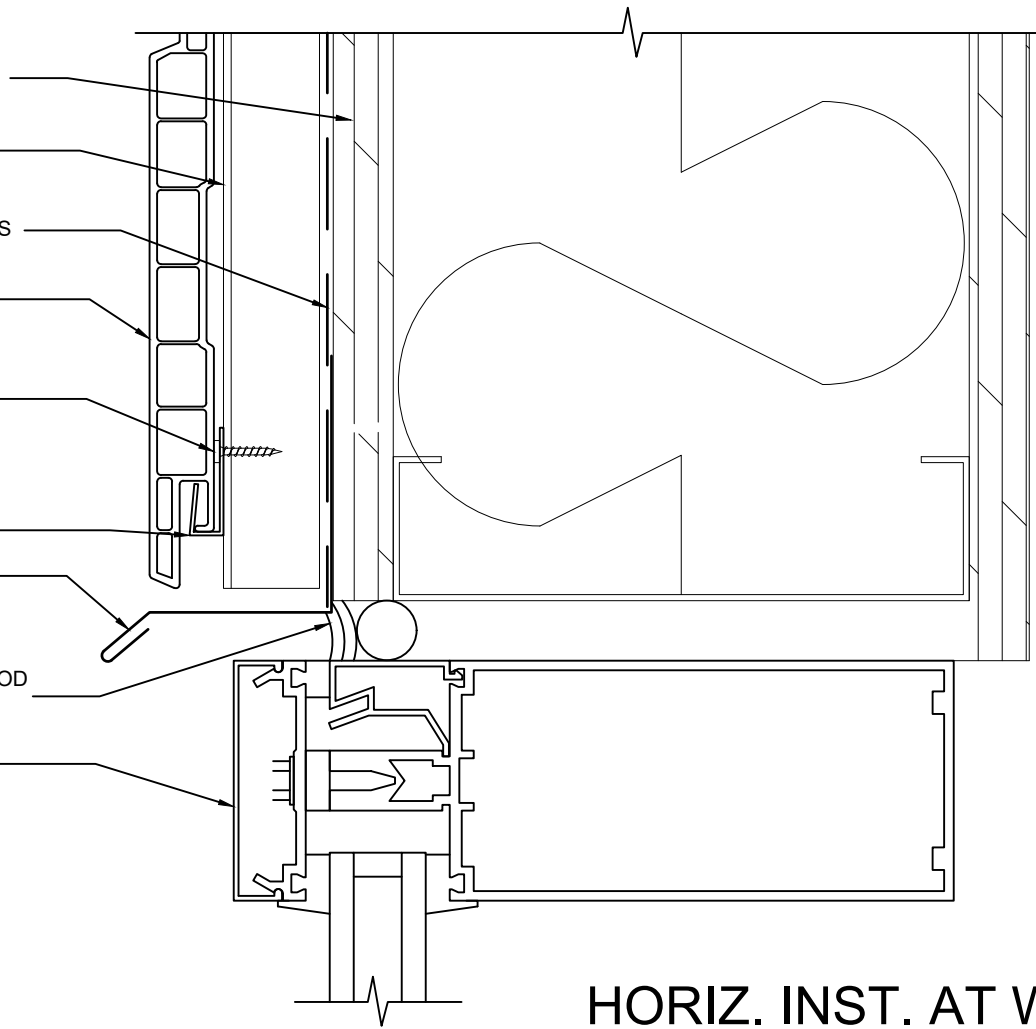
PAN HEAD SCREW

STARTER CLIP


FLASHING

CAULKING W/BACKER ROD
BY OTHERS

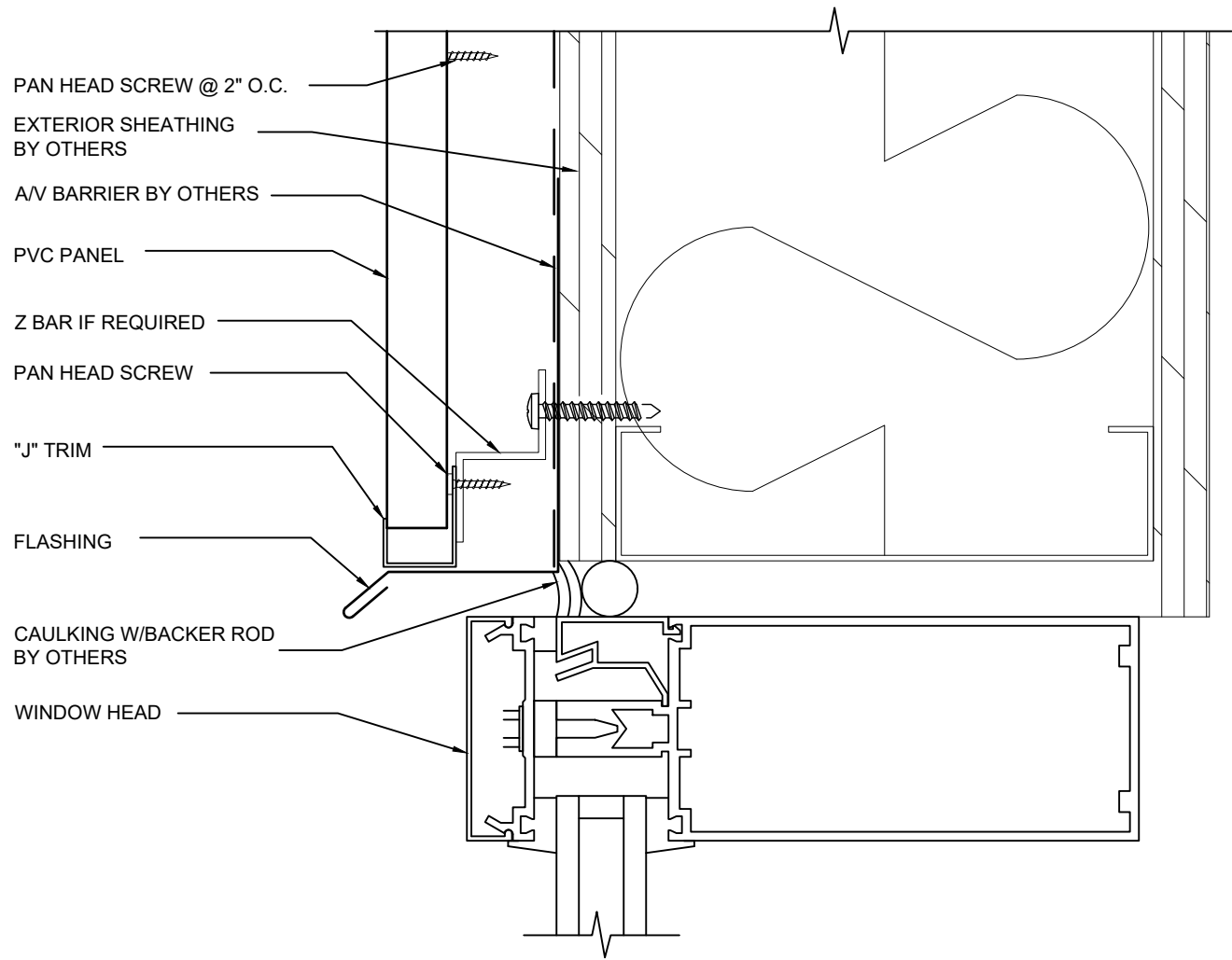
WINDOW HEAD




HORIZ. INST. AT WINDOW HEAD

SITE: XXX	XX DRAWING NO.		XX PROJECT NO.	MM,DD,YY DATE.	 <p>178 Pennsylvania Ave, Concord, ON L4K 4B1 Phone: 1(888)308-8898 email: info@nortwood.com www.nortwood.com</p>
	1:2 SCALE AT A4.		AD DRAWN.	XX CHECKED.	
TITLE: JOINT DETAIL @ WINDOW HEAD					

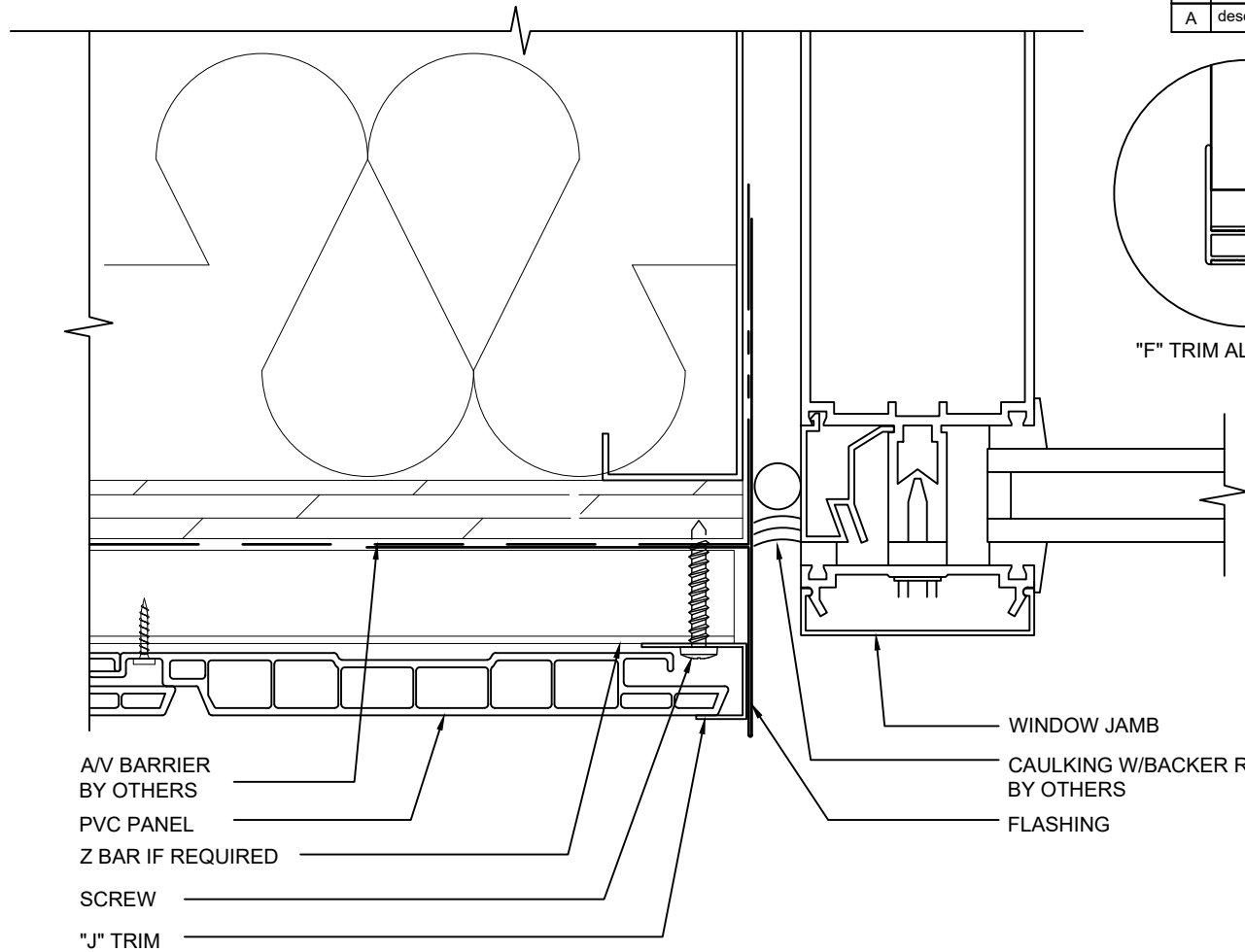
REVISIONS:			
REV:	DESCRIPTION:	BY:	DATE:
A	description	by	xx/xx/xx



VERT. INST. AT WINDOW HEAD


SITE: XXX	XX DRAWING NO.		XX PROJECT NO.	MM,DD,YY DATE.	 <p>178 Pennsylvania Ave, Concord, ON L4K 4B1 Phone: 1(888)308-8898 email: info@nortwood.com www.nortwood.com</p>
	TITLE: JOINT DETAIL @ WINDOW HEAD	1:2 SCALE AT A4.	AD DRAWN.	XX CHECKED.	

REVISIONS:			
REV:	DESCRIPTION:	BY:	DATE:
A	description	by	xx/xx/xx

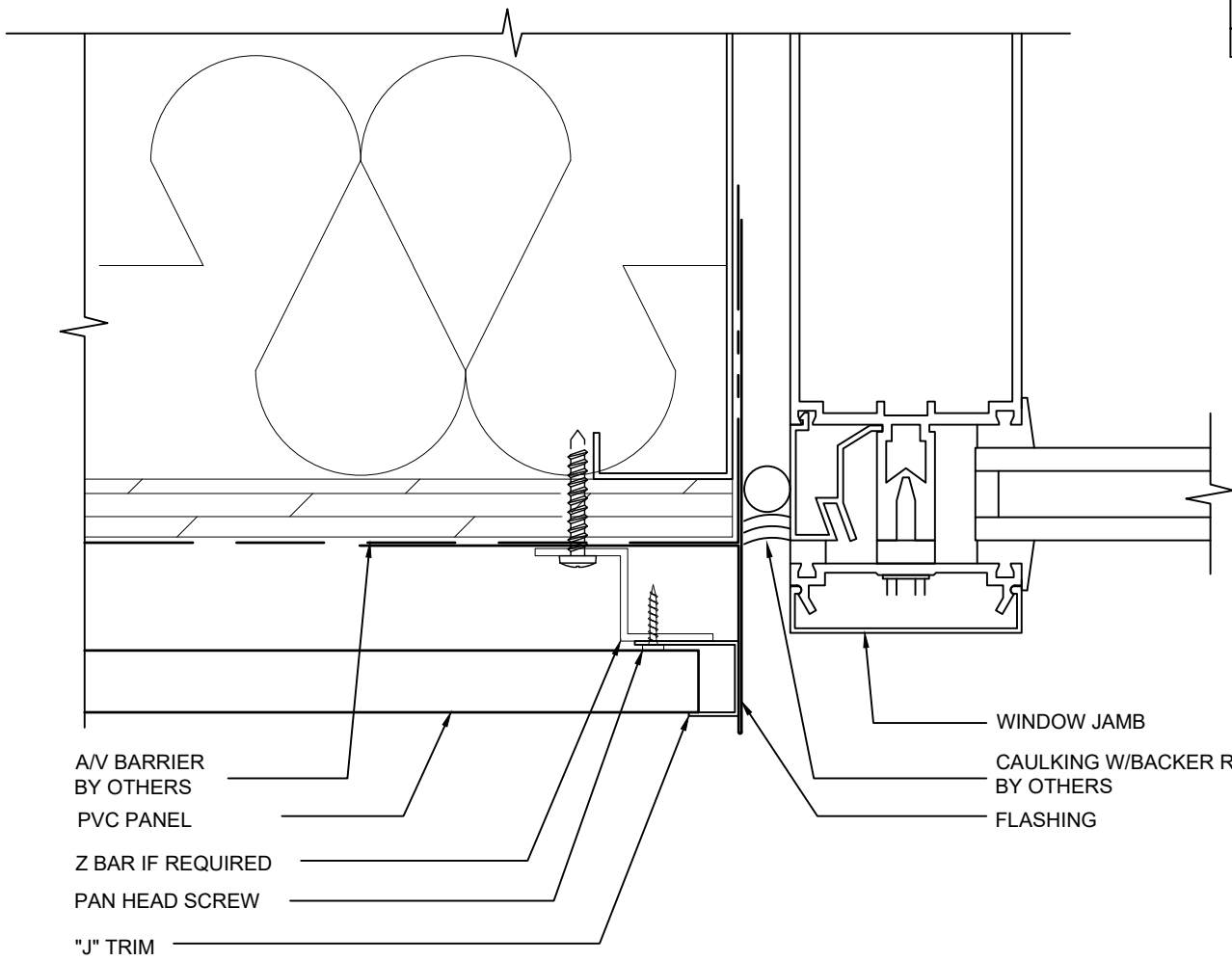


"F" TRIM ALSO AVAILABLE


VERT. INST. AT WINDOW JAMB

SITE: XXX	XX DRAWING NO.	XX PROJECT NO.	MM,DD,YY DATE.	 <p>178 Pennsylvania Ave, Concord, ON L4K 4B1 Phone: 1(888)308-8898 email: info@nortwood.com www.nortwood.com</p>
TITLE: JOINT DETAIL @ WINDOW JAMB	1:2 SCALE AT A4.	AD DRAWN.	XX CHECKED.	

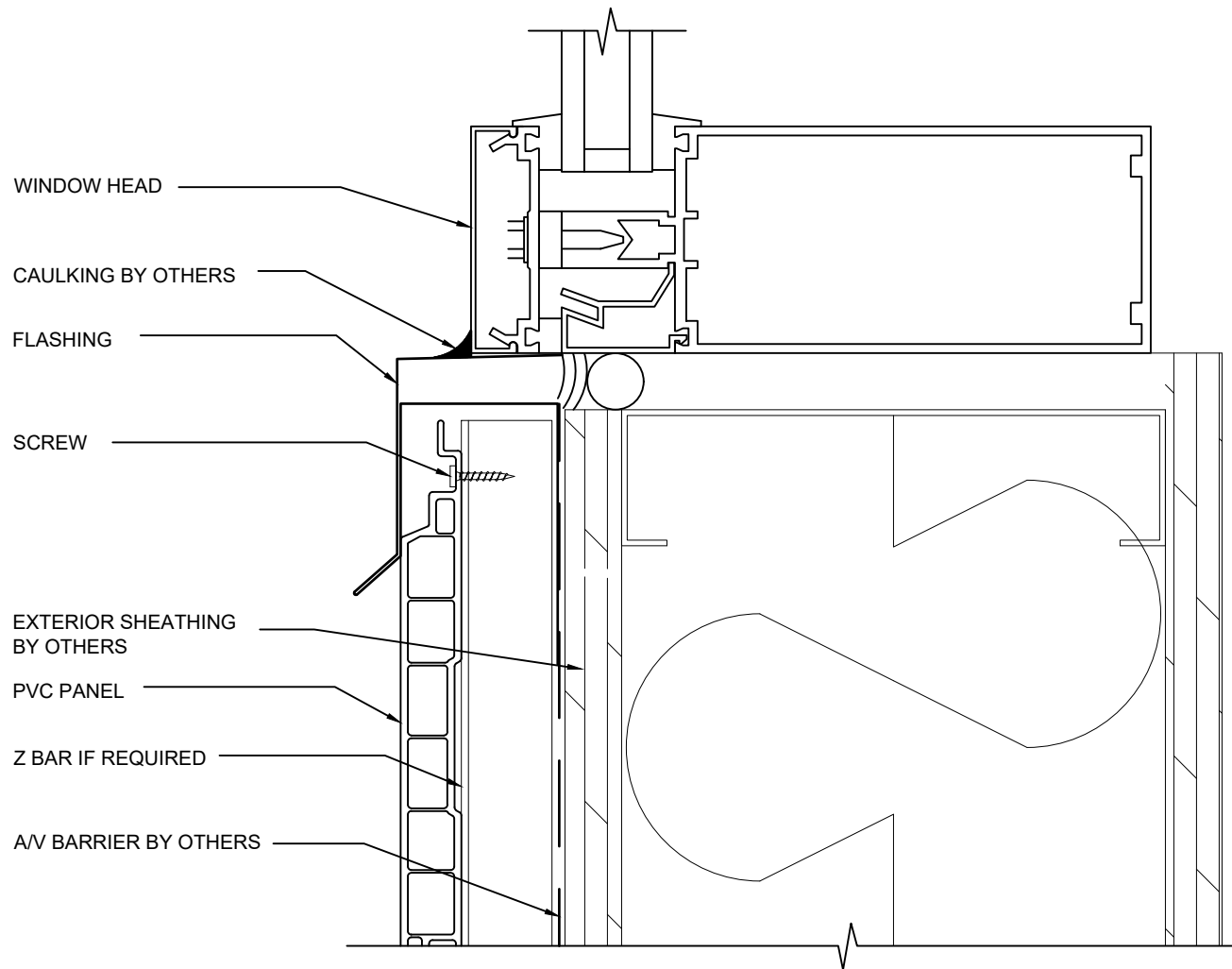
REVISIONS:			
REV:	DESCRIPTION:	BY:	DATE:
A	description	by	xx/xx/xx




HORIZ. INST. AT WINDOW JAMB

SITE: XXX	XX DRAWING NO.		XX PROJECT NO.	MM,DD,YY DATE.	 <p>178 Pennsylvania Ave, Concord, ON L4K 4B1 Phone: 1(888)308-8898 email: info@nortwood.com www.nortwood.com</p>
	TITLE: JOINT DETAIL @ WINDOW JAMB	1:2 SCALE AT A4.	AD DRAWN.	XX CHECKED.	

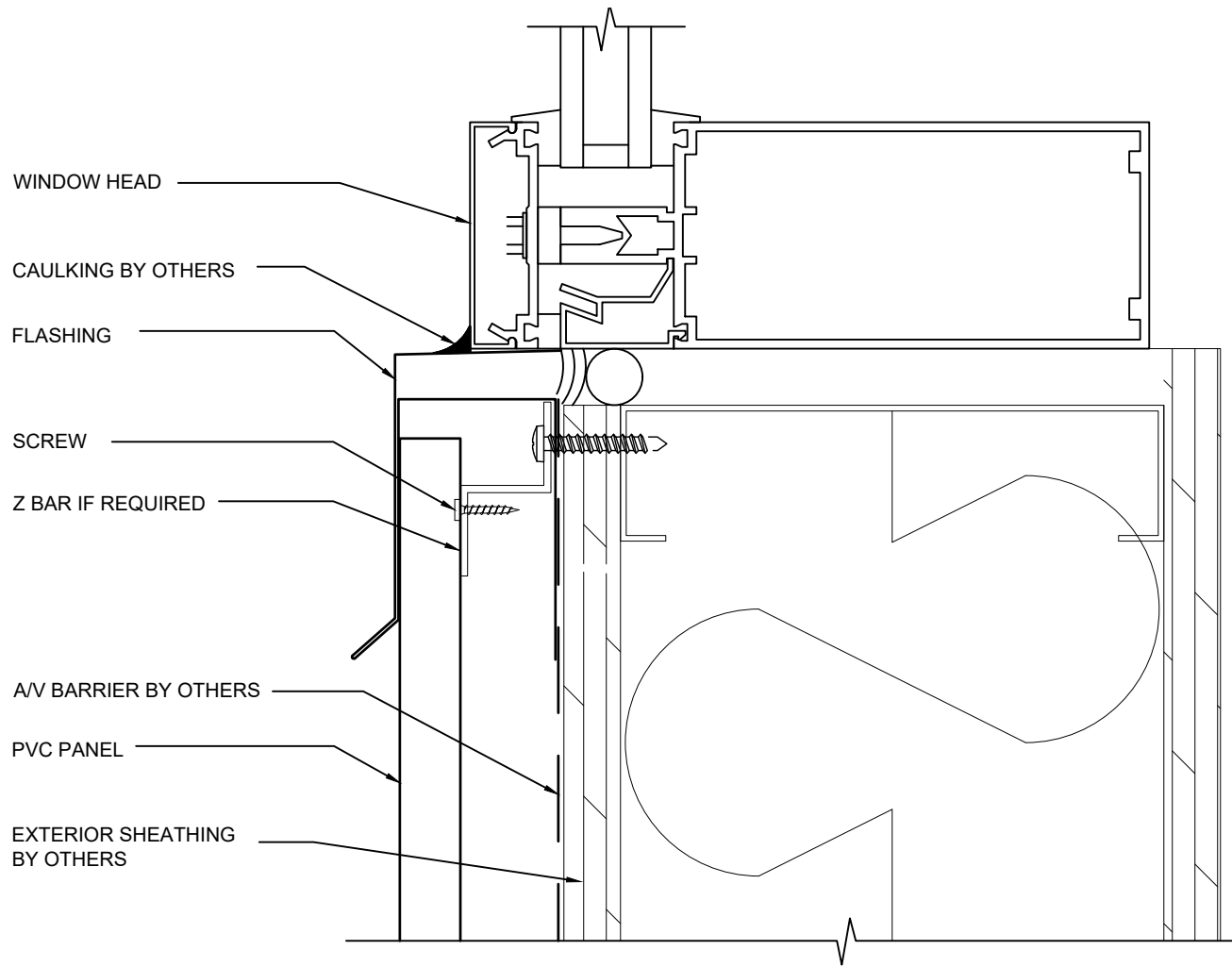
REVISIONS:			
REV:	DESCRIPTION:	BY:	DATE:
A	description	by	xx/xx/xx



HORIZ. INST. AT WINDOW SILL

SITE: XXX	XX DRAWING NO.		XX PROJECT NO.	MM,DD,YY DATE.	 <p>178 Pennsylvania Ave, Concord, ON L4K 4B1 Phone: 1(888)308-8898 email: info@nortwood.com www.nortwood.com</p>
	TITLE: JOINT DETAIL @ WINDOW JAMB	1:2 SCALE AT A4.	AD DRAWN.	XX CHECKED.	

REVISIONS:			
REV:	DESCRIPTION:	BY:	DATE:
A	description	by	xx/xx/xx



WINDOW HEAD

CAULKING BY OTHERS

FLASHING

SCREW


Z BAR IF REQUIRED

A/V BARRIER BY OTHERS

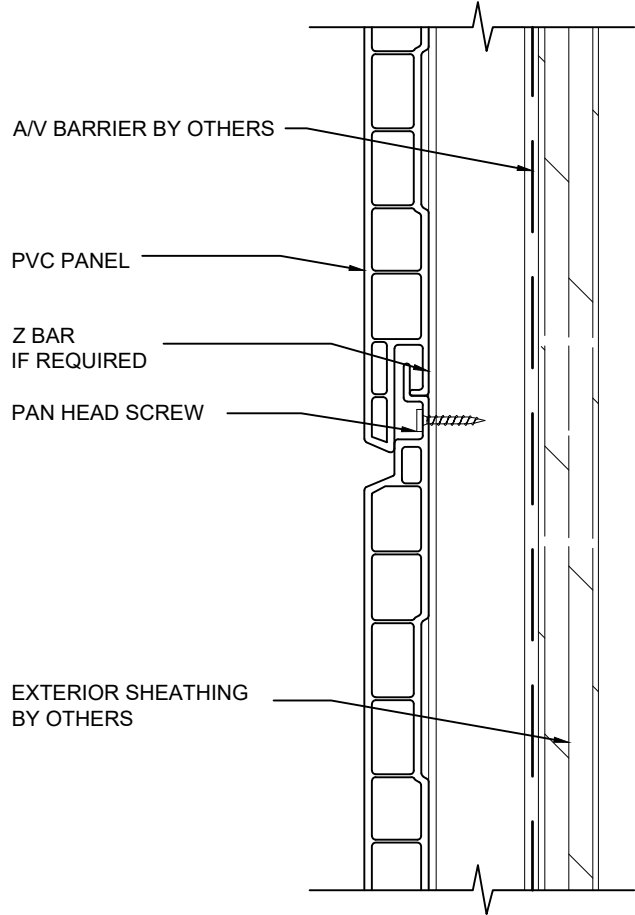
PVC PANEL

EXTERIOR SHEATHING BY OTHERS

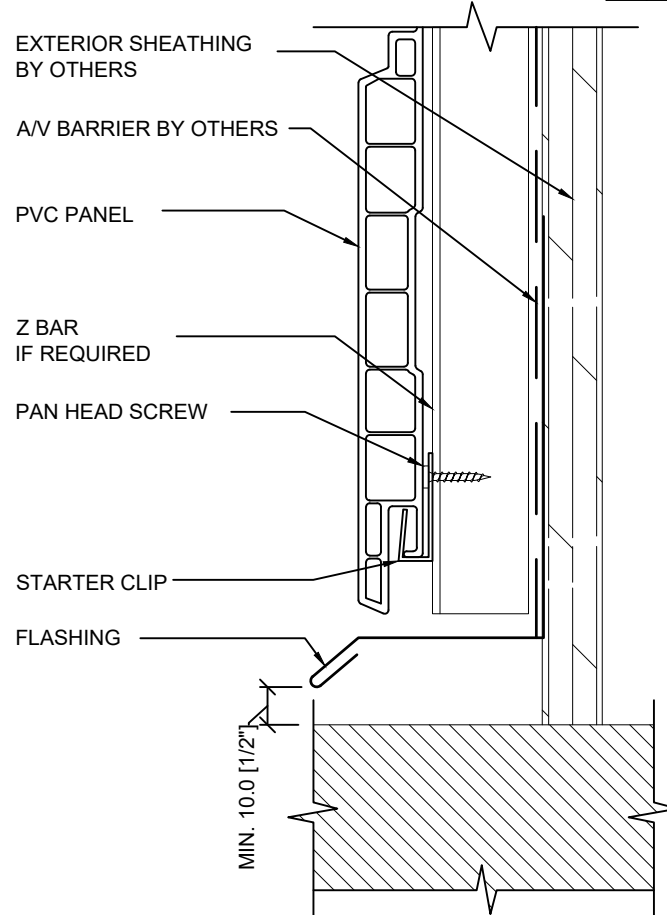
VERT. INST. AT WINDOW SILL

SITE: XXX	XX DRAWING NO.		XX PROJECT NO.	MM,DD,YY DATE.	 <p>178 Pennsylvania Ave, Concord, ON L4K 4B1 Phone: 1(888)308-8898 email: info@nortwood.com www.nortwood.com</p>
	TITLE: JOINT DETAIL @ WINDOW JAMB	1:2 SCALE AT A4.	AD DRAWN.	XX CHECKED.	


REVISIONS:			
REV:	DESCRIPTION:	BY:	DATE:
A	description	by	xx/xx/xx



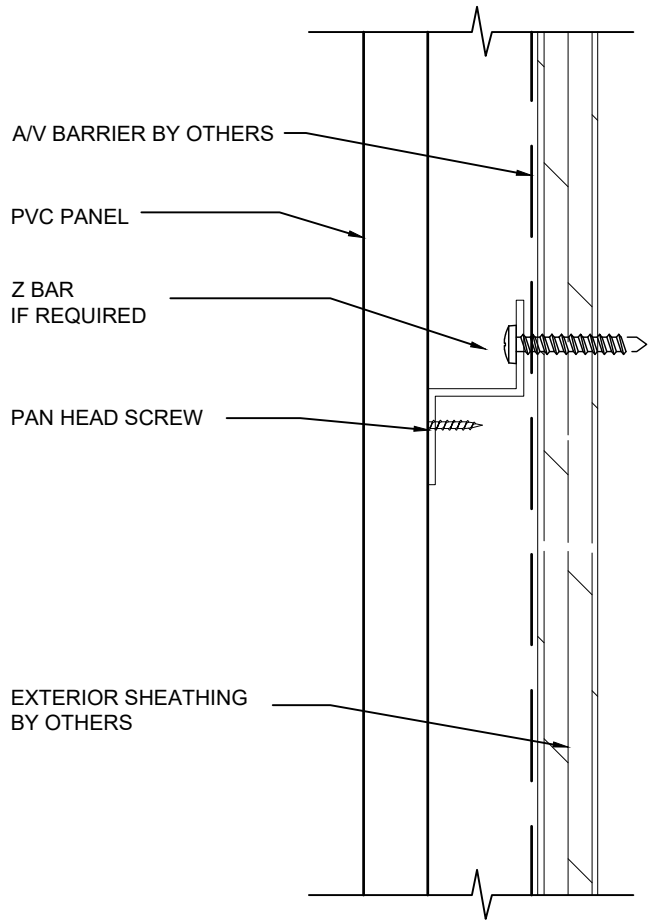
HORIZ. INST. JOINT TYP.



HORIZ. INST. END

SITE: XXX	XX DRAWING NO.		XX PROJECT NO.	MM,DD,YY DATE.	 178 Pennsylvania Ave, Concord, ON L4K 4B1 Phone: 1(888)308-8898 email: info@nortwood.com www.nortwood.com
	TITLE: JOINTS HORIZONTAL	1:2 SCALE AT A4.	AD DRAWN.	XX CHECKED.	

REVISIONS:			
REV:	DESCRIPTION:	BY:	DATE:
A	description	by	xx/xx/xx



A/V BARRIER BY OTHERS

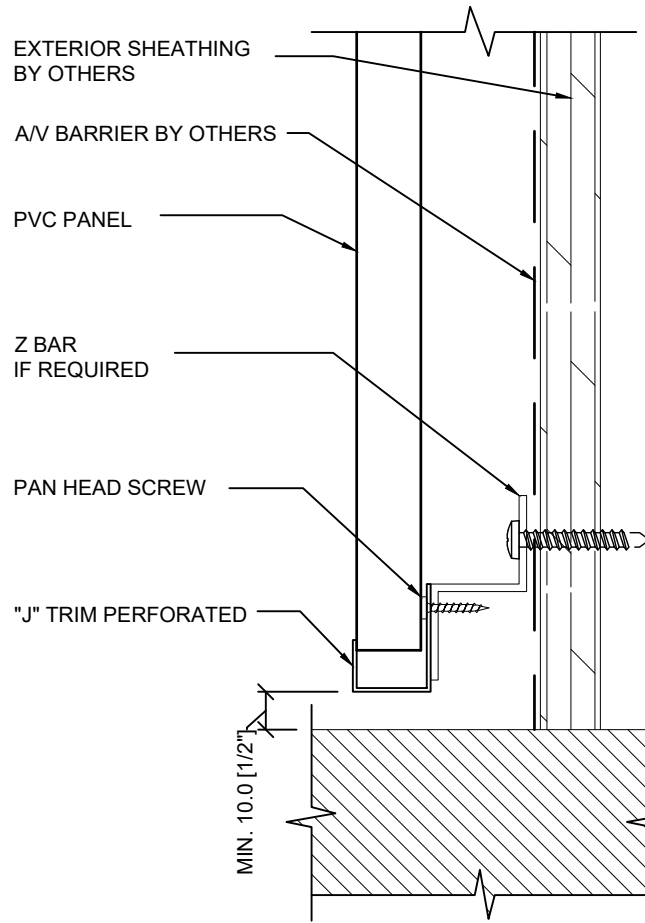
PVC PANEL

Z BAR
IF REQUIRED

PAN HEAD SCREW

EXTERIOR SHEATHING
BY OTHERS

VERT. INST. JOINT TYP.



EXTERIOR SHEATHING
BY OTHERS

A/V BARRIER BY OTHERS

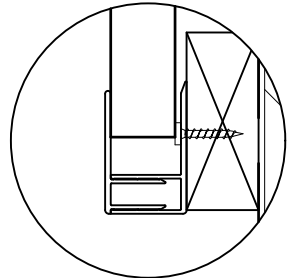
PVC PANEL

Z BAR
IF REQUIRED

PAN HEAD SCREW


"J" TRIM PERFORATED

MIN. 10.0 [1 1/2"]

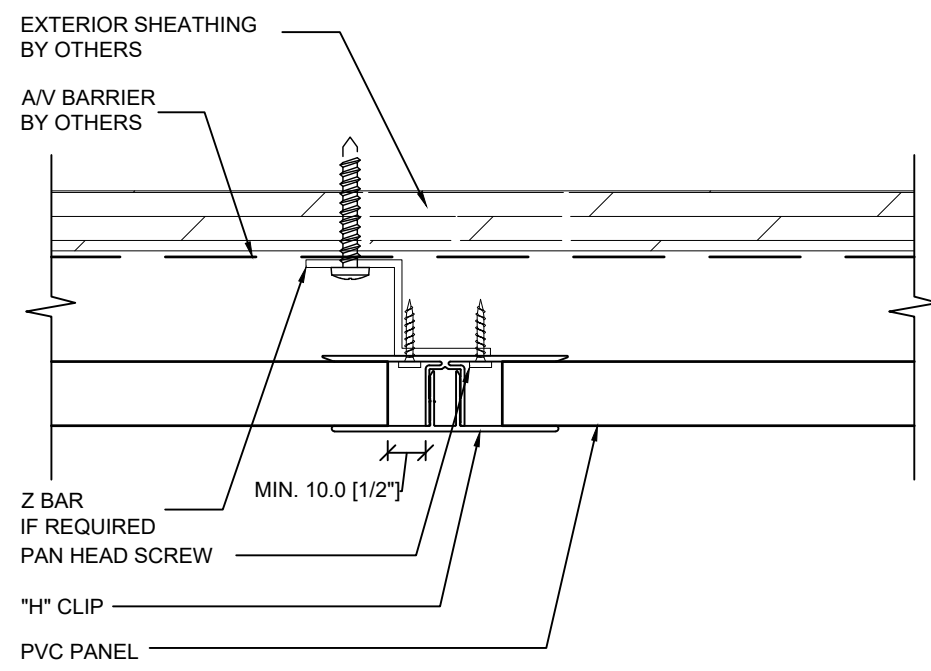


"F" TRIM ALSO AVAILABLE


VERT. INST. END

SITE: XXX	XX DRAWING NO.		XX PROJECT NO.	MM,DD,YY DATE.	 <p>178 Pennsylvania Ave, Concord, ON L4K 4B1 Phone: 1(888)308-8898 email: info@nortwood.com www.nortwood.com</p>
	TITLE: JOINT VERTICAL	1:2 SCALE AT A4.	AD DRAWN.	XX CHECKED.	

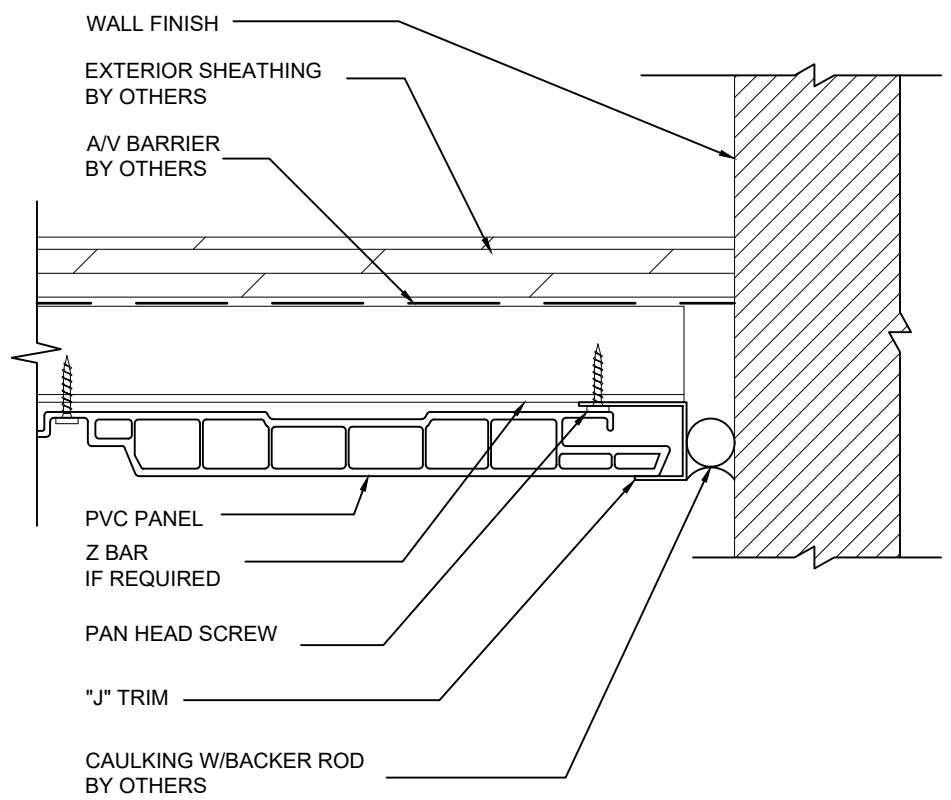
REVISIONS:			
REV:	DESCRIPTION:	BY:	DATE:
A	description	by	xx/xx/xx



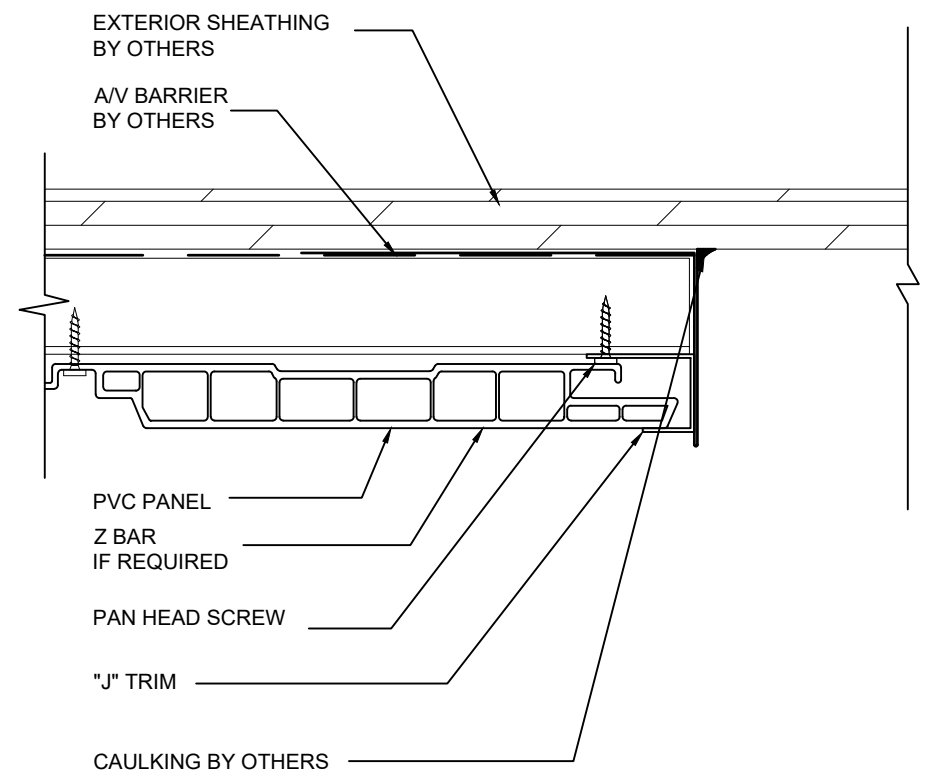
VERTICAL "H" JOINT TYP.

SITE: <div style="font-size: 24pt; font-weight: bold; text-align: center;">XXX</div>	XX <small>DRAWING NO.</small>	XX <small>PROJECT NO.</small>	MM,DD,YY <small>DATE.</small>	 <p style="font-size: 10pt; margin-top: 10px;">178 Pennsylvania Ave, Concord, ON L4K 4B1 Phone: 1(888)308-8898 email: info@nortwood.com www.nortwood.com</p>
TITLE: <div style="font-size: 24pt; font-weight: bold; text-align: center;">JOINT VERTICAL</div>	1:2 <small>SCALE AT A4.</small>	AD <small>DRAWN.</small>	XX <small>CHECKED.</small>	


REVISIONS:			
REV:	DESCRIPTION:	BY:	DATE:
A	description	by	xx/xx/xx



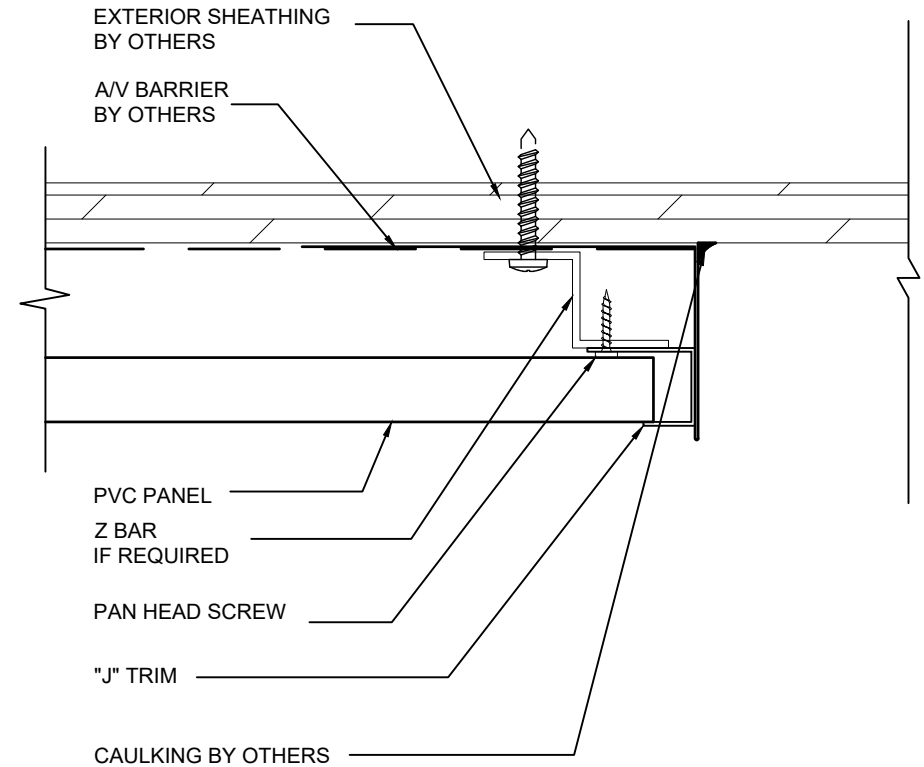
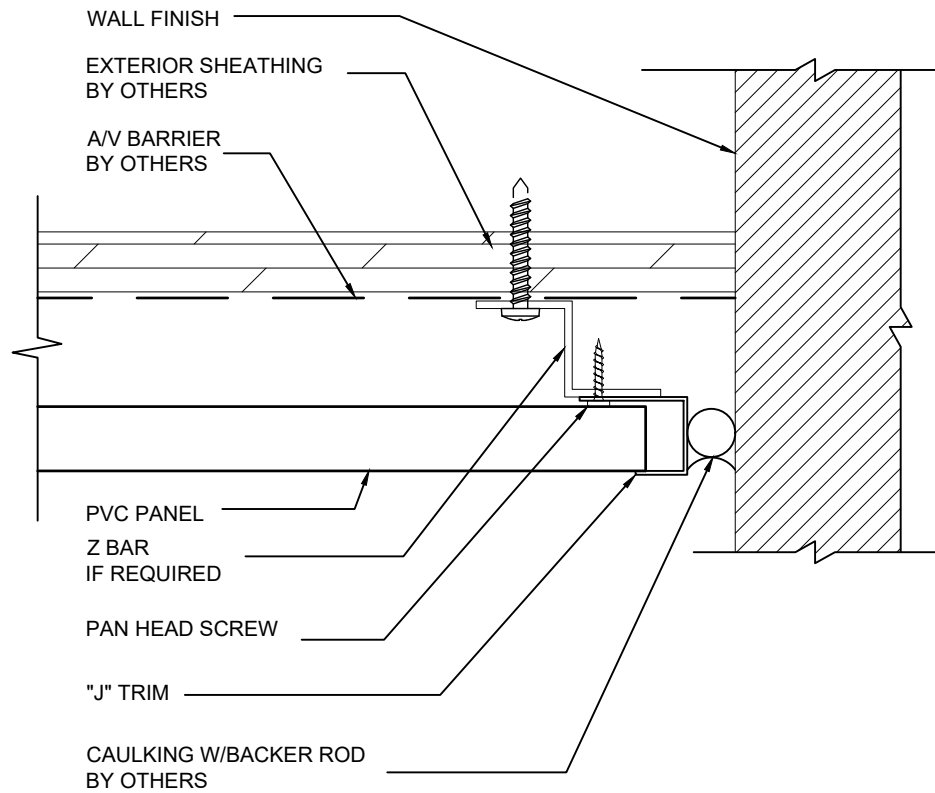
VERT. INST. JOINT AT WALL TYP.



VERT. INST. START TYP.


SITE: XXX	XX DRAWING NO.		XX PROJECT NO.	MM,DD,YY DATE.	 178 Pennsylvania Ave, Concord, ON L4K 4B1 Phone: 1(888)308-8898 email: info@nortwood.com www.nortwood.com
	TITLE: JOINT STARTER	1:2 SCALE AT A4.	AD DRAWN.	XX CHECKED.	

REVISIONS:			
REV:	DESCRIPTION:	BY:	DATE:
A	description	by	xx/xx/xx

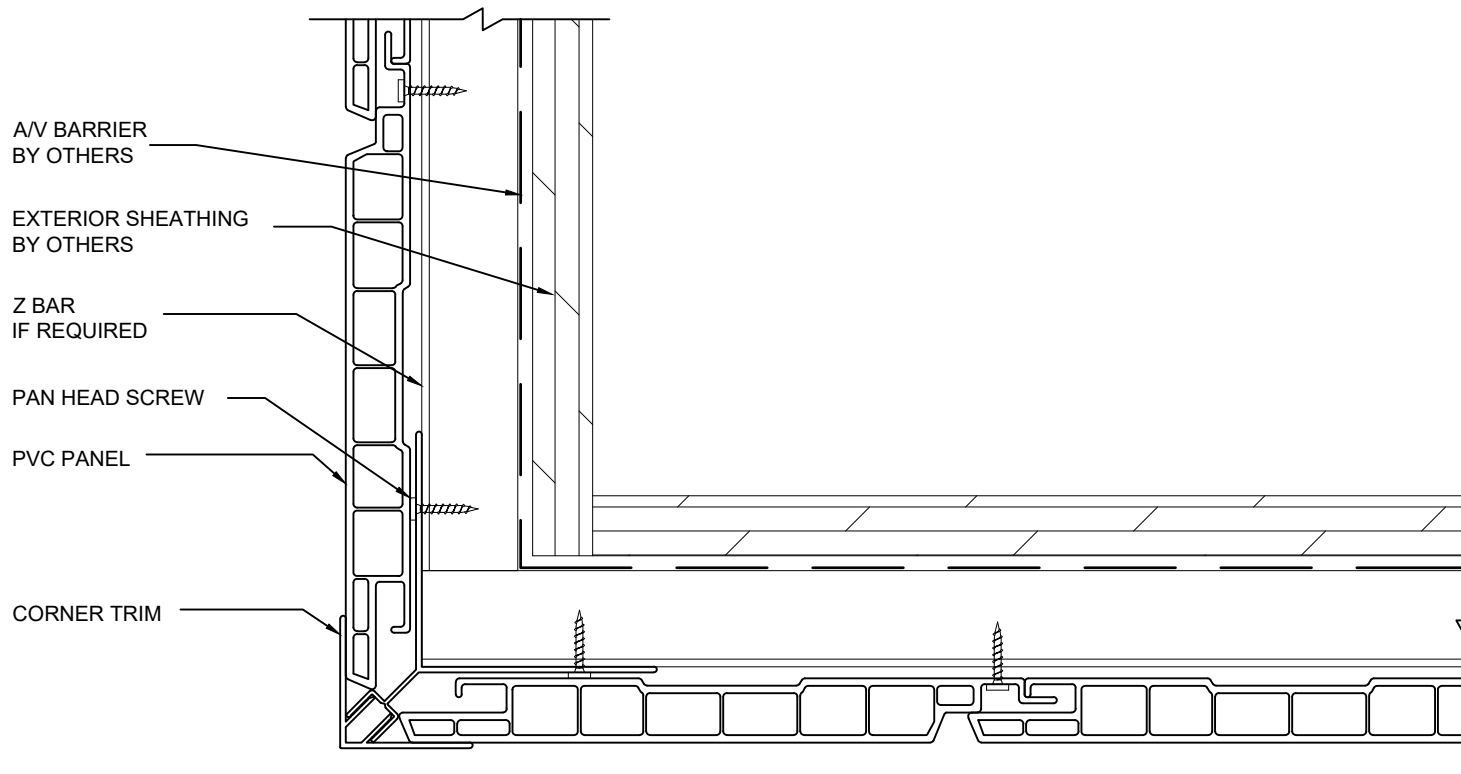


HORIZ. INST. JOINT AT WALL TYP.


HORIZ. INST. START TYP.

SITE: XXX	XX		XX	MM,DD,YY	 178 Pennsylvania Ave, Concord, ON L4K 4B1 Phone: 1(888)308-8898 email: info@nortwood.com www.nortwood.com
	DRAWING NO.	PROJECT NO.	DATE.		
TITLE: JOINT STARTER	1:2	AD	XX	00	
	SCALE AT A4.	DRAWN.	CHECKED.	REVISION.	

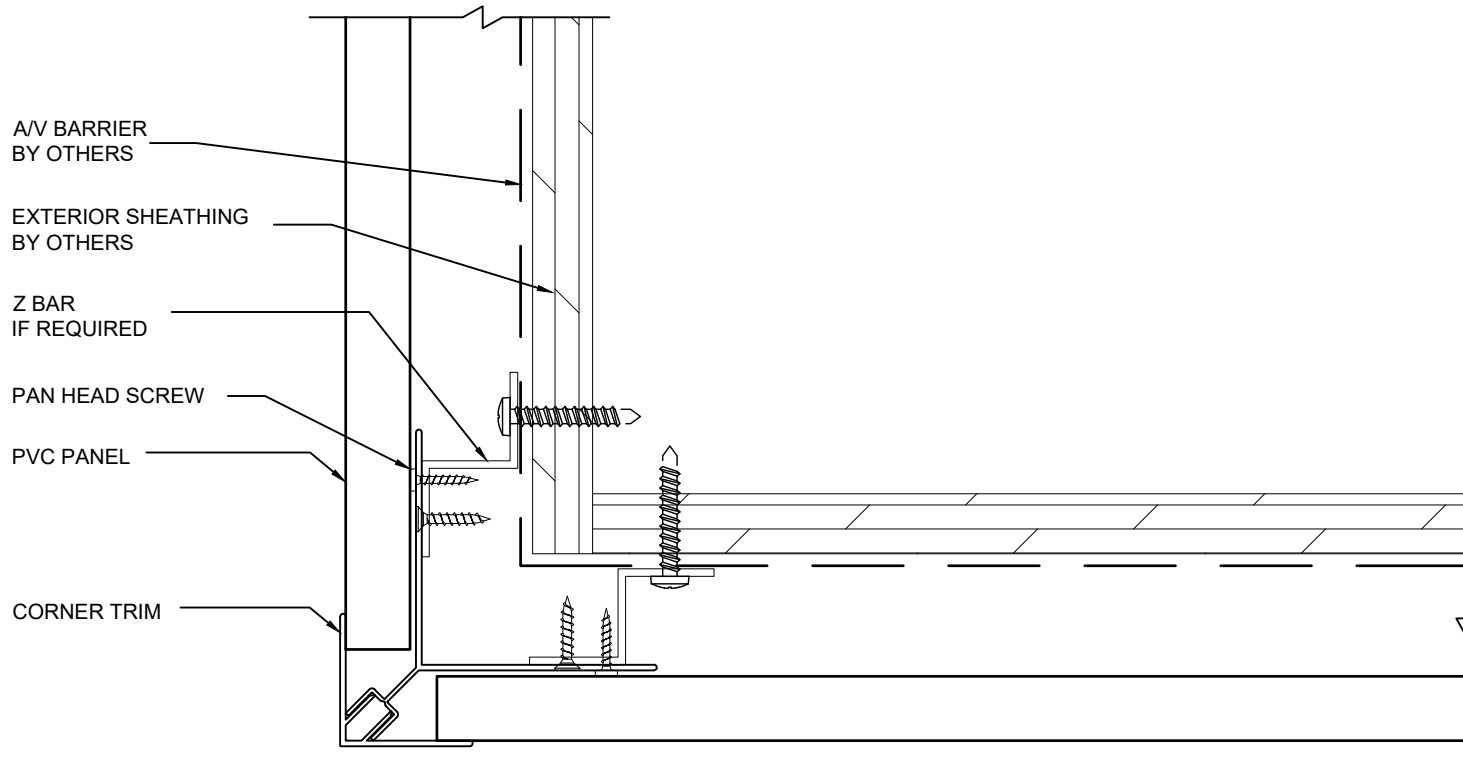
REVISIONS:			
REV:	DESCRIPTION:	BY:	DATE:
A	description	by	xx/xx/xx




VERT. INST. CORNER TRIM JOINT

SITE: <div style="font-size: 24px; font-weight: bold; text-align: center;">XXX</div>	XX <small>DRAWING NO.</small>	XX <small>PROJECT NO.</small>	MM,DD,YY <small>DATE.</small>	 <p style="font-size: 10px; margin-top: 10px;"> 178 Pennsylvania Ave, Concord, ON L4K 4B1 Phone: 1(888)308-8898 email: info@nortwood.com www.nortwood.com </p>
TITLE: <div style="font-size: 18px; font-weight: bold; text-align: center;">JOINT @ CORNER TRIM</div>	1:2 <small>SCALE AT A4.</small>	AD <small>DRAWN.</small>	XX <small>CHECKED.</small>	

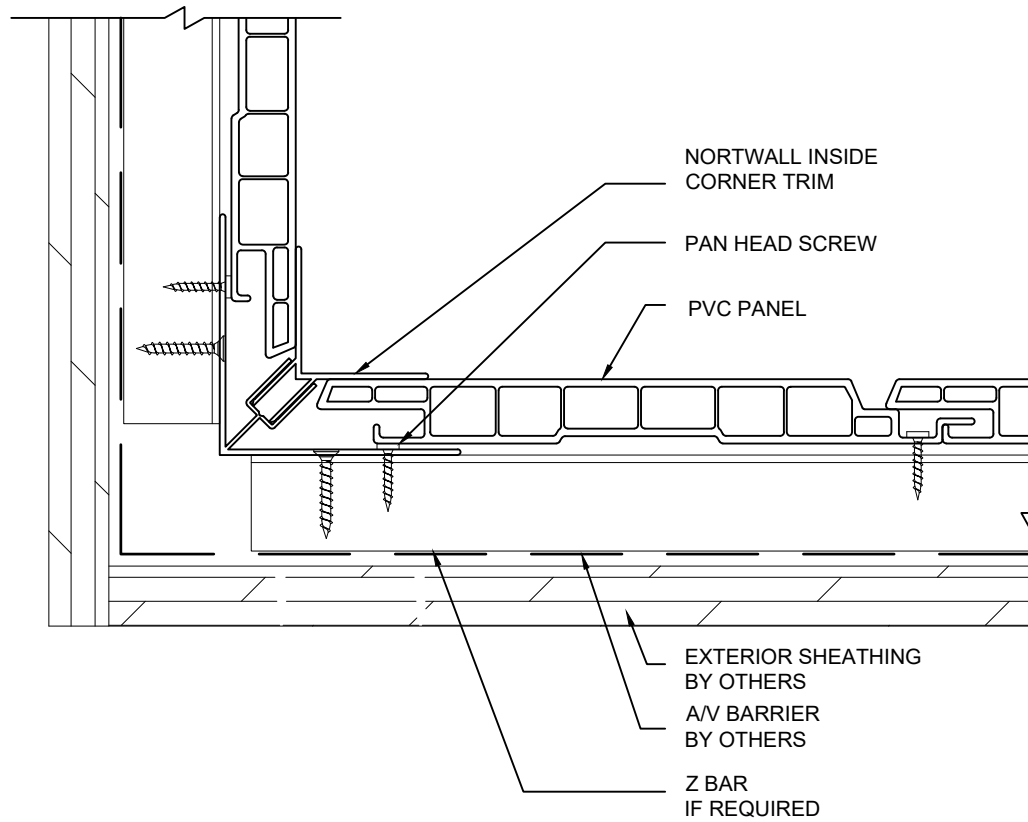
REVISIONS:			
REV:	DESCRIPTION:	BY:	DATE:
A	description	by	xx/xx/xx




HORIZ. INST. CORNER TRIM JOINT

SITE: XXX	XX DRAWING NO.	XX PROJECT NO.	MM,DD,YY DATE.	 <p>178 Pennsylvania Ave, Concord, ON L4K 4B1 Phone: 1(888)308-8898 email: info@nortwood.com www.nortwood.com</p>
TITLE: JOINT @ CORNER TRIM	1:2 SCALE AT A4.	AD DRAWN.	XX CHECKED.	

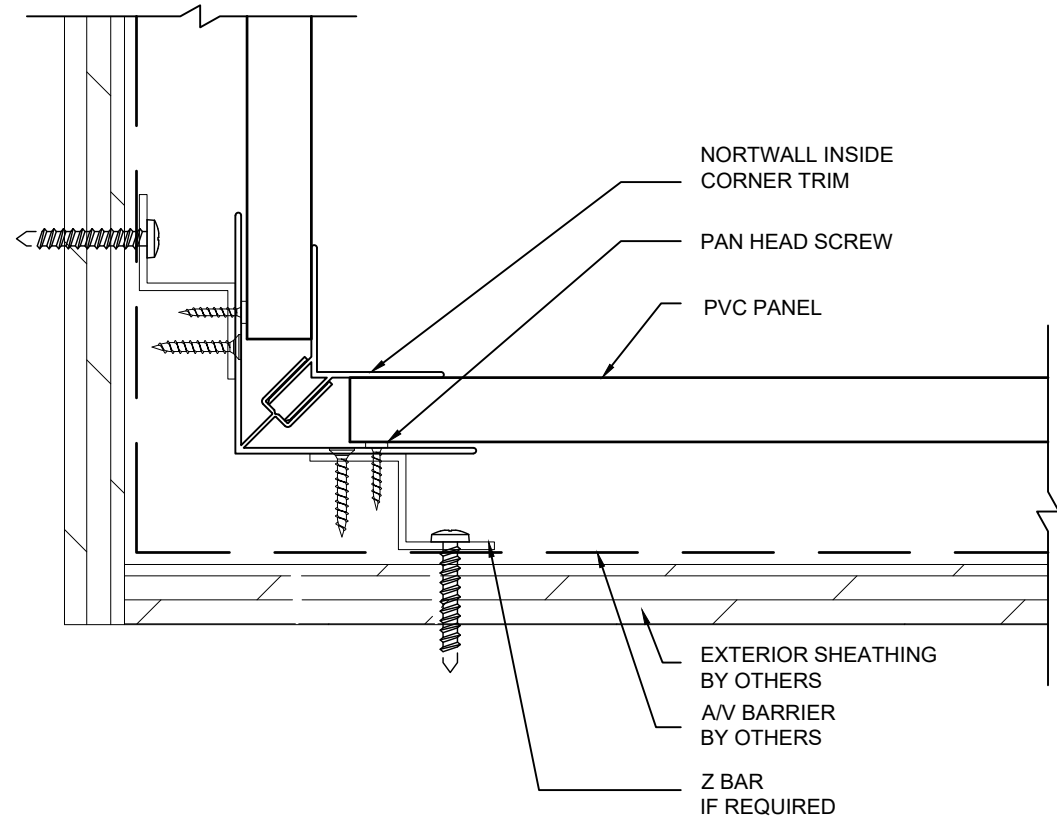
REVISIONS:			
REV:	DESCRIPTION:	BY:	DATE:
A	description	by	xx/xx/xx




VERT. INST. INSIDE CORNER TRIM

SITE: XXX	XX DRAWING NO.	XX PROJECT NO.	MM,DD,YY DATE.	 <p>178 Pennsylvania Ave, Concord, ON L4K 4B1 Phone: 1(888)308-8898 email: info@nortwood.com www.nortwood.com</p>
TITLE: INSIDE CORNER TRIM	1:2 SCALE AT A4.	AD DRAWN.	XX 00 CHECKED. REVISION.	

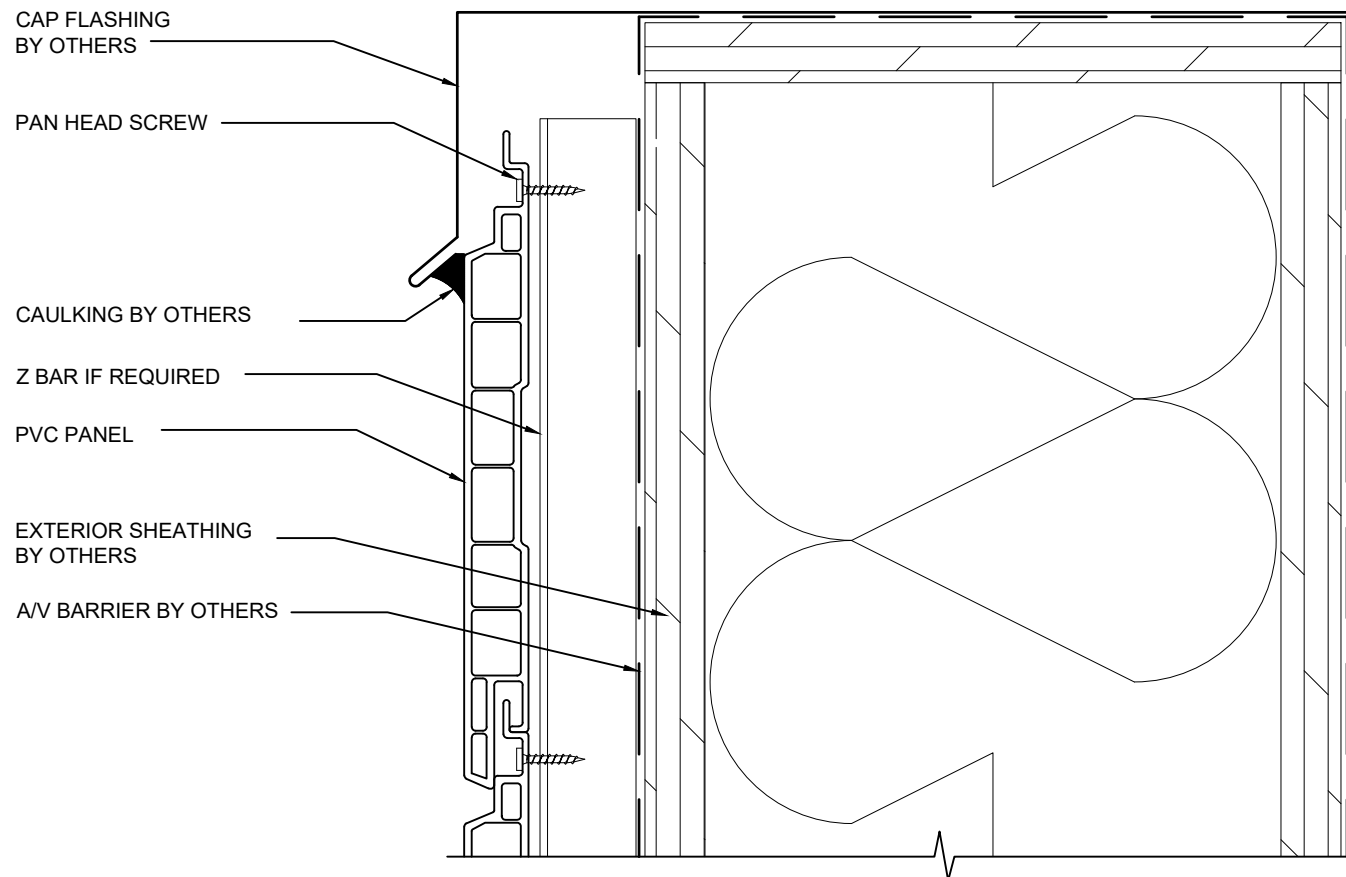
REVISIONS:			
REV:	DESCRIPTION:	BY:	DATE:
A	description	by	xx/xx/xx




HORIZ. INST. INSIDE CORNER TRIM

SITE: XXX	XX DRAWING NO.		XX PROJECT NO.	MM,DD,YY DATE.	 178 Pennsylvania Ave, Concord, ON L4K 4B1 Phone: 1(888)308-8898 email: info@nortwood.com www.nortwood.com
	TITLE: INSIDE CORNER TRIM	1:2 SCALE AT A4.	AD DRAWN.	XX CHECKED.	

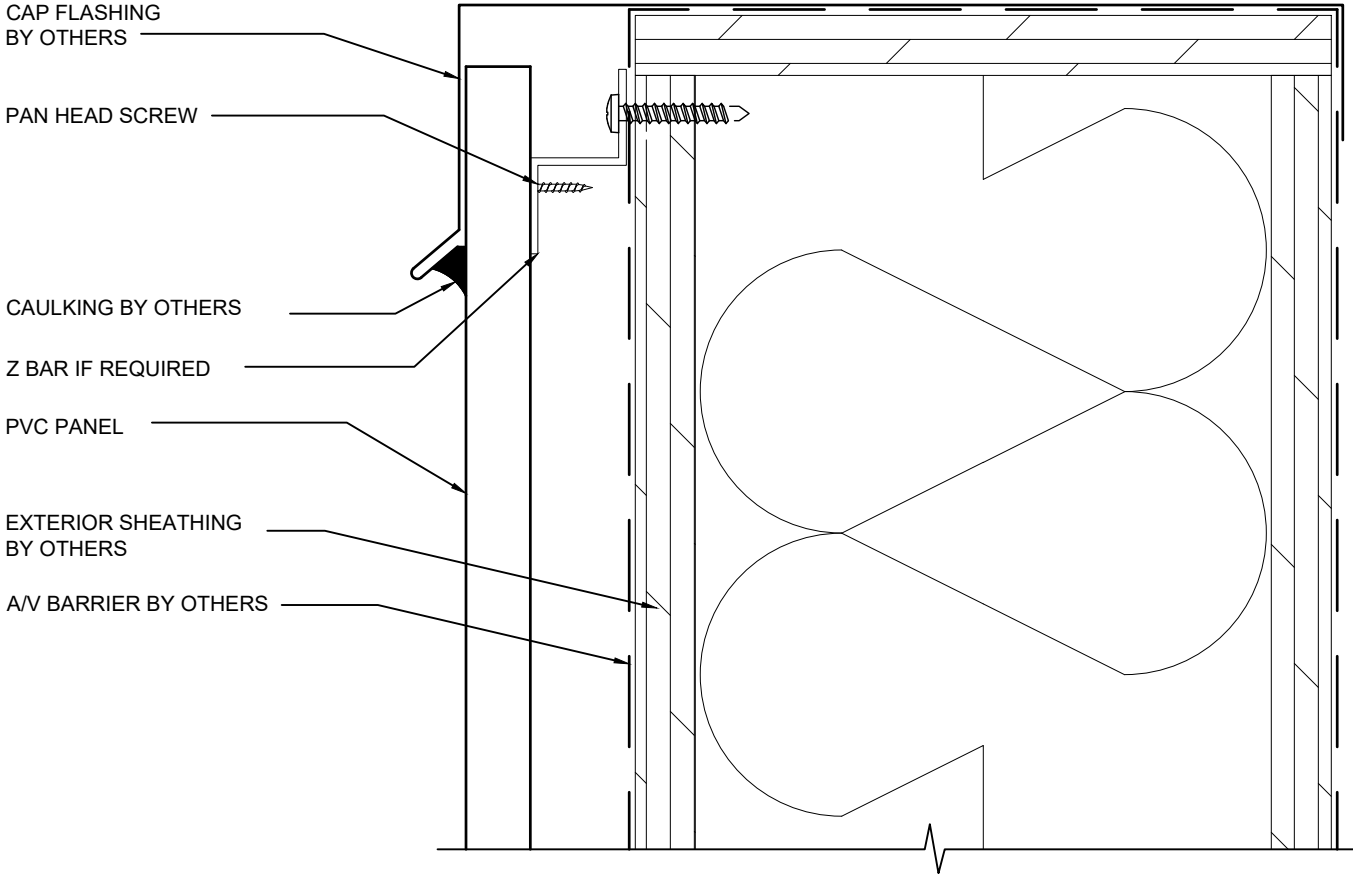
REVISIONS:			
REV:	DESCRIPTION:	BY:	DATE:
A	description	by	xx/xx/xx




HORIZ. END AT PARAPET W/CAP FLASHING

SITE: XXX	XX DRAWING NO.		XX PROJECT NO.	MM,DD,YY DATE.	 178 Pennsylvania Ave, Concord, ON L4K 4B1 Phone: 1(888)308-8898 email: info@nortwood.com www.nortwood.com
	TITLE: END @ PARAPET WITH CAP FLASHING	1:2 SCALE AT A4.	AD DRAWN.	XX CHECKED.	

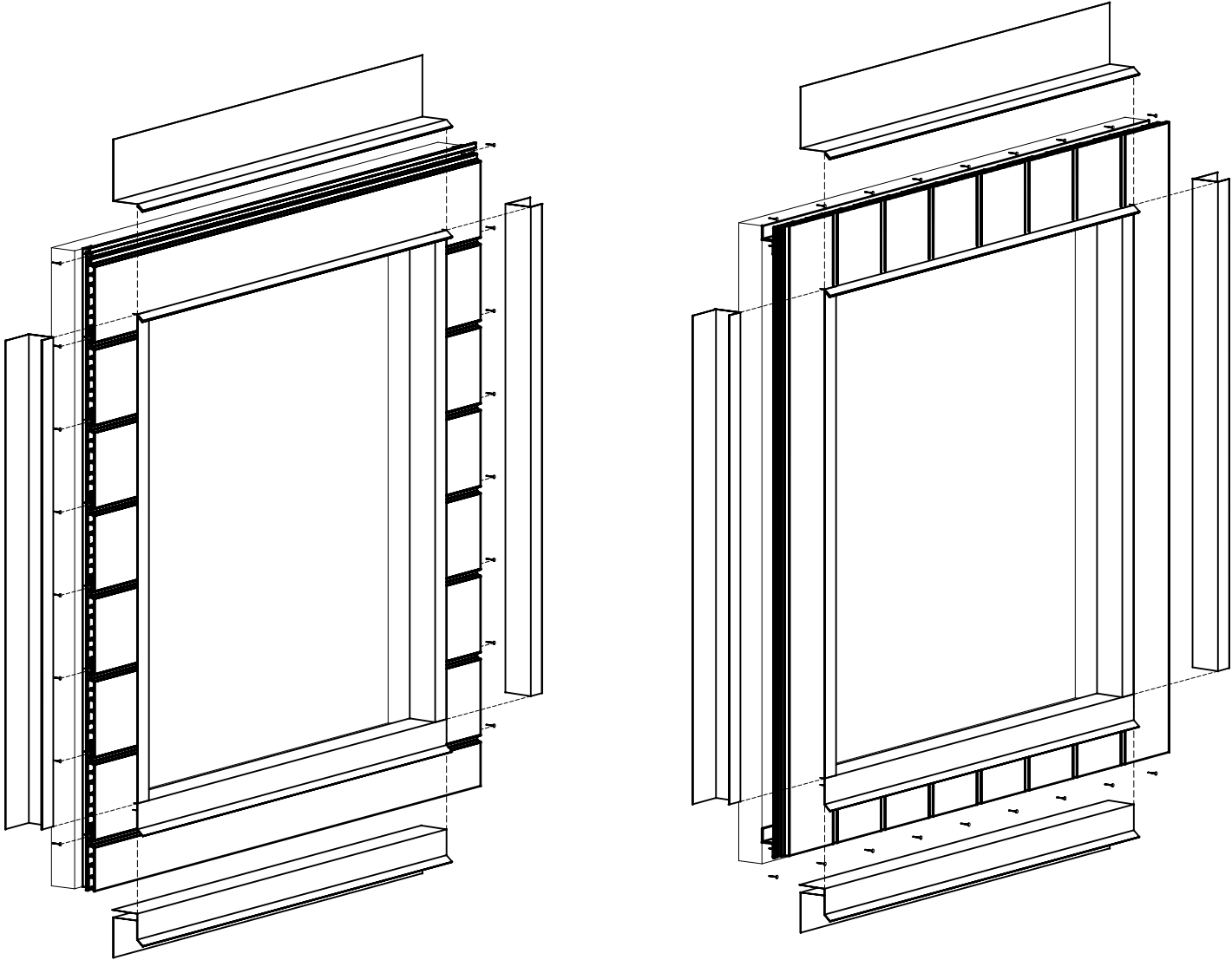
REVISIONS:			
REV:	DESCRIPTION:	BY:	DATE:
A	description	by	xx/xx/xx




VERT. END AT PARAPET W/CAP FLASHING

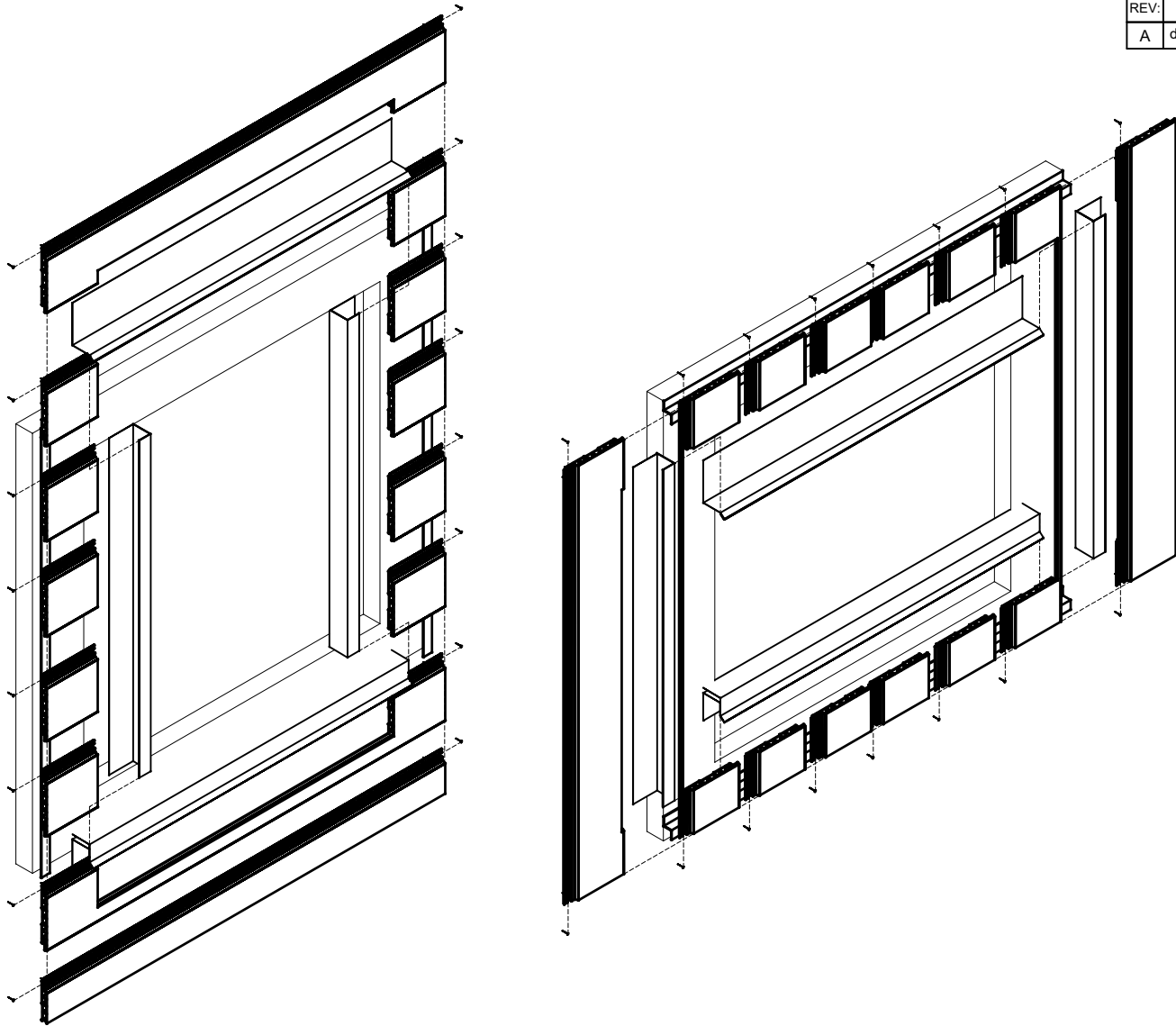
SITE: XXX	XX DRAWING NO.		XX PROJECT NO.	MM,DD,YY DATE.	 178 Pennsylvania Ave, Concord, ON L4K 4B1 Phone: 1(888)308-8898 email: info@nortwood.com www.nortwood.com
	TITLE: END @ PARAPET WITH CAP FLASHING	1:2 SCALE AT A4.	AD DRAWN.	XX CHECKED.	


REVISIONS:			
REV:	DESCRIPTION:	BY:	DATE:
A	description	by	xx/xx/xx



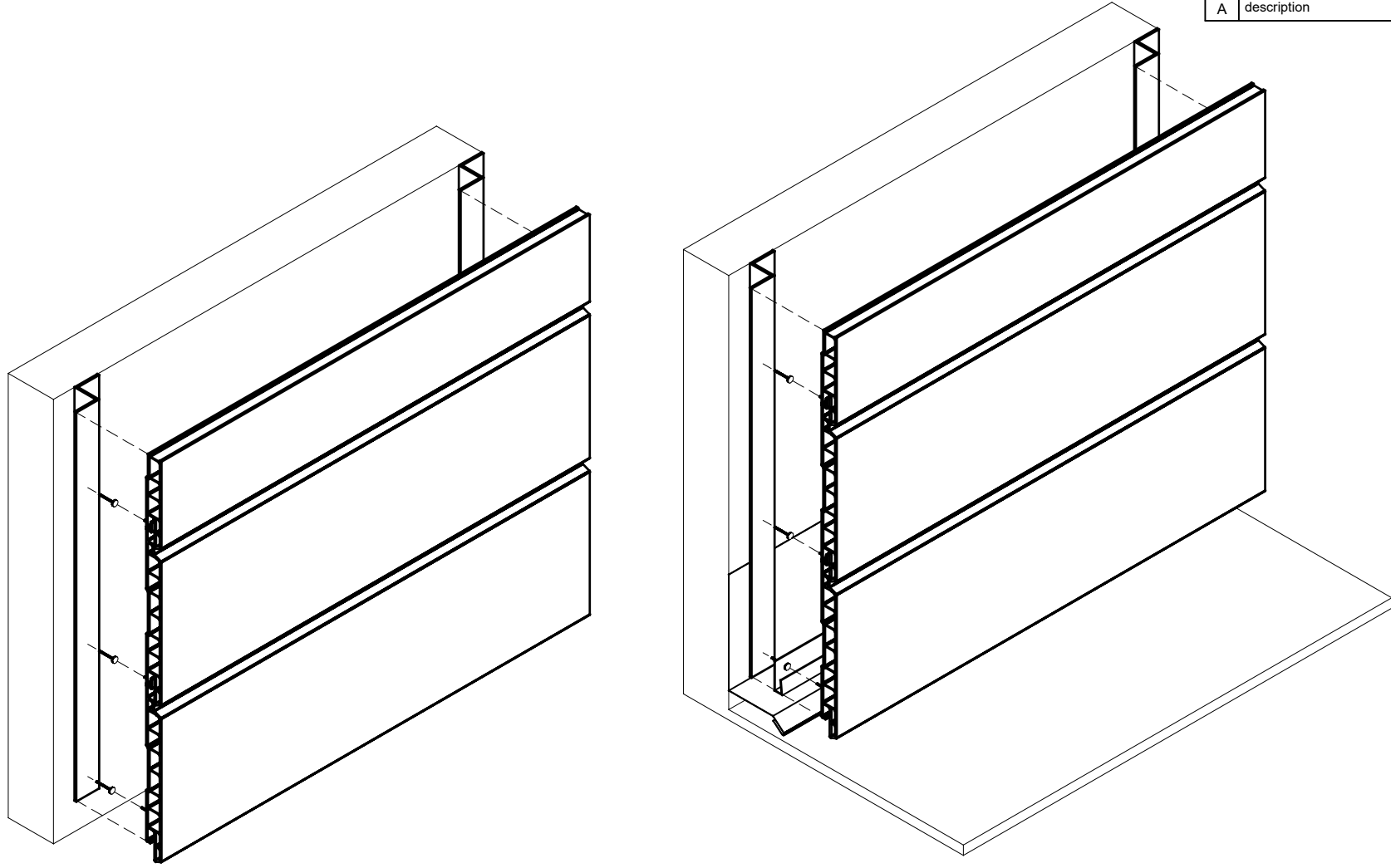
SITE: XXX	XX		XX	MM,DD,YY	 178 Pennsylvania Ave, Concord, ON L4K 4B1 Phone: 1(888)308-8898 email: info@nortwood.com www.nortwood.com
	DRAWING NO.		PROJECT NO.	DATE.	
TITLE: 3D	NS	AD	XX	00	
	SCALE AT A4.	DRAWN.	CHECKED.	REVISION.	


REVISIONS:			
REV:	DESCRIPTION:	BY:	DATE:
A	description	by	xx/xx/xx



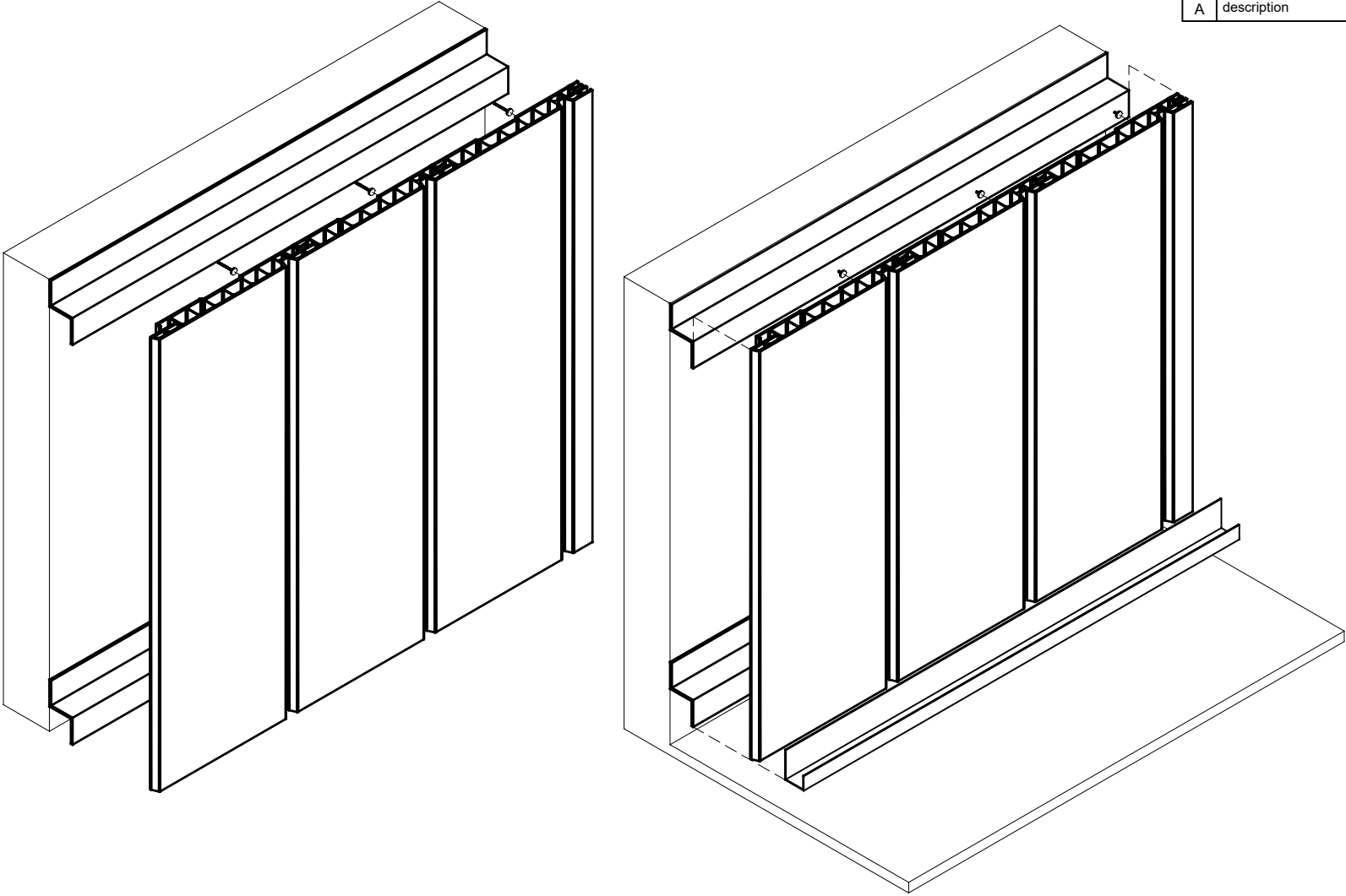
SITE: XXX	XX DRAWING NO.		XX PROJECT NO.	MM,DD,YY DATE.	 <p>178 Pennsylvania Ave, Concord, ON L4K 4B1 Phone: 1(888)308-8898 email: info@nortwood.com www.nortwood.com</p>
TITLE: 3D	NS SCALE AT A4.	AD DRAWN.	XX CHECKED.	00 REVISION.	


REVISIONS:			
REV:	DESCRIPTION:	BY:	DATE:
A	description	by	xx/xx/xx



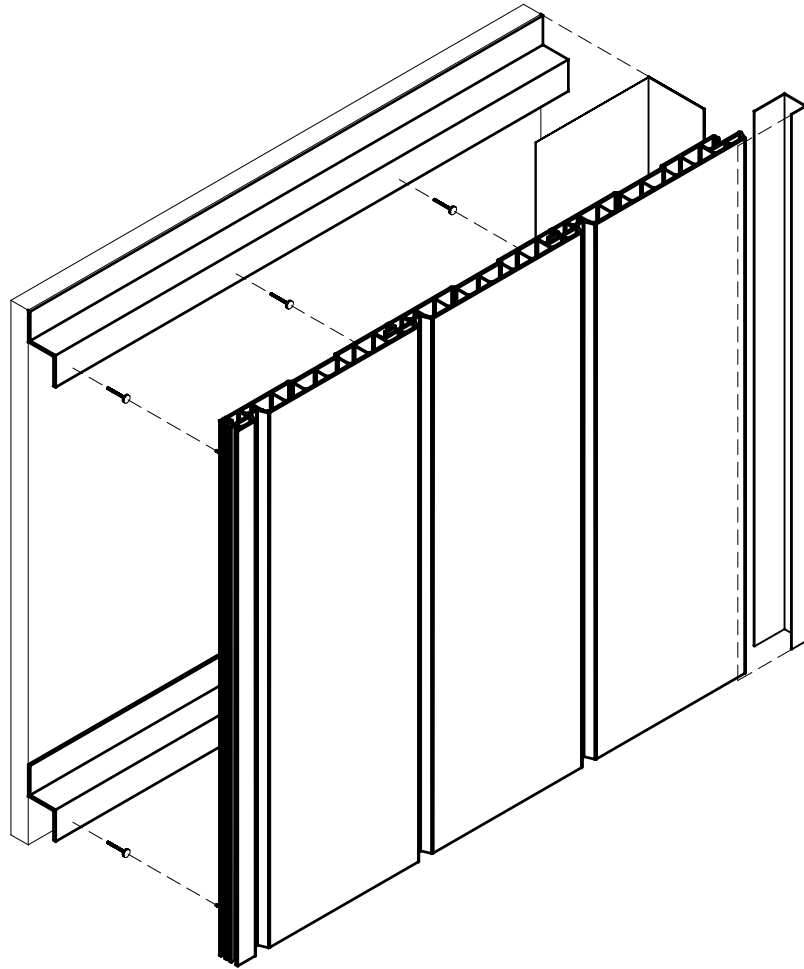
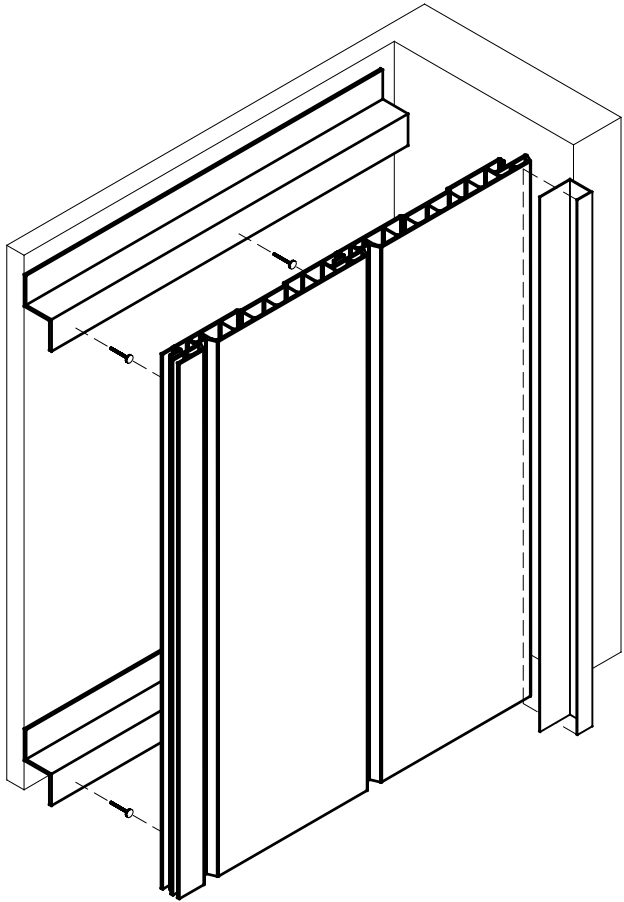
SITE: XXX	XX DRAWING NO.		XX PROJECT NO.	MM,DD,YY DATE.	 178 Pennsylvania Ave, Concord, ON L4K 4B1 Phone: 1(888)308-8898 email: info@nortwood.com www.nortwood.com
	TITLE: 3D	NS SCALE AT A4.	AD DRAWN.	XX CHECKED.	


REVISIONS:			
REV:	DESCRIPTION:	BY:	DATE:
A	description	by	xx/xx/xx



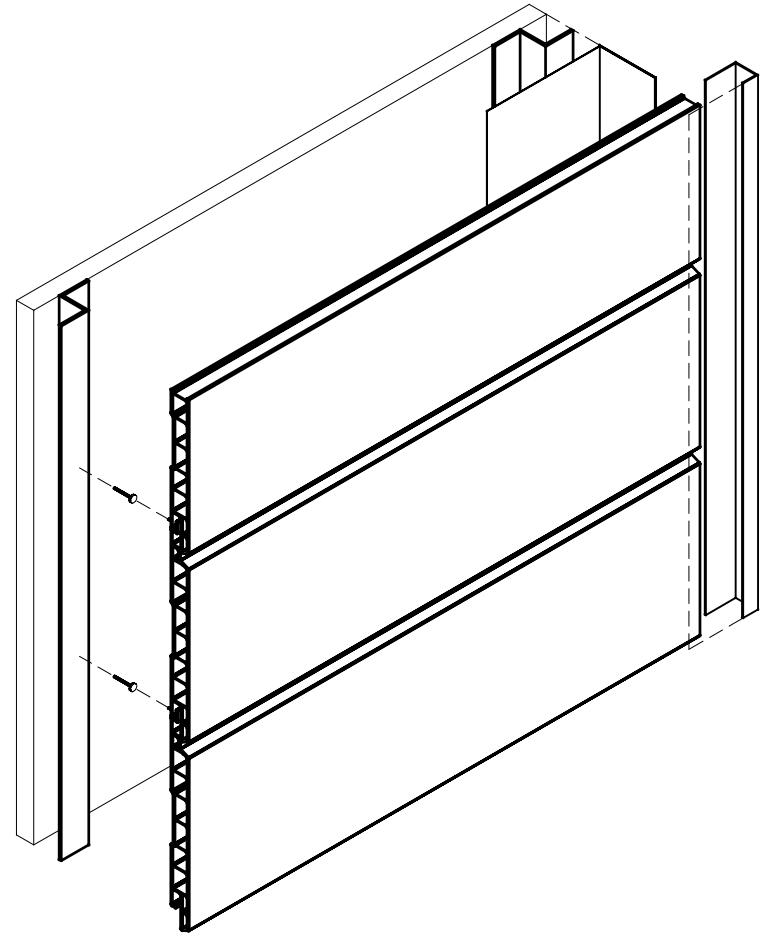
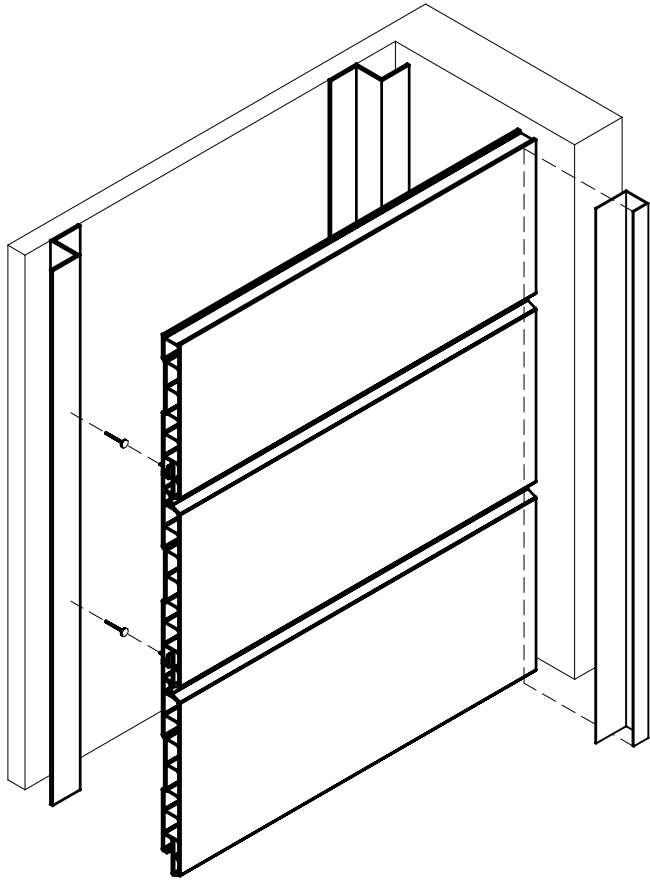
SITE: XXX	XX DRAWING NO.		XX PROJECT NO.	MM,DD,YY DATE.	 178 Pennsylvania Ave, Concord, ON L4K 4B1 Phone: 1(888)308-8898 email: info@nortwood.com www.nortwood.com
	TITLE: 3D	NS SCALE AT A4.	AD DRAWN.	XX CHECKED.	


REVISIONS:			
REV:	DESCRIPTION:	BY:	DATE:
A	description	by	xx/xx/xx

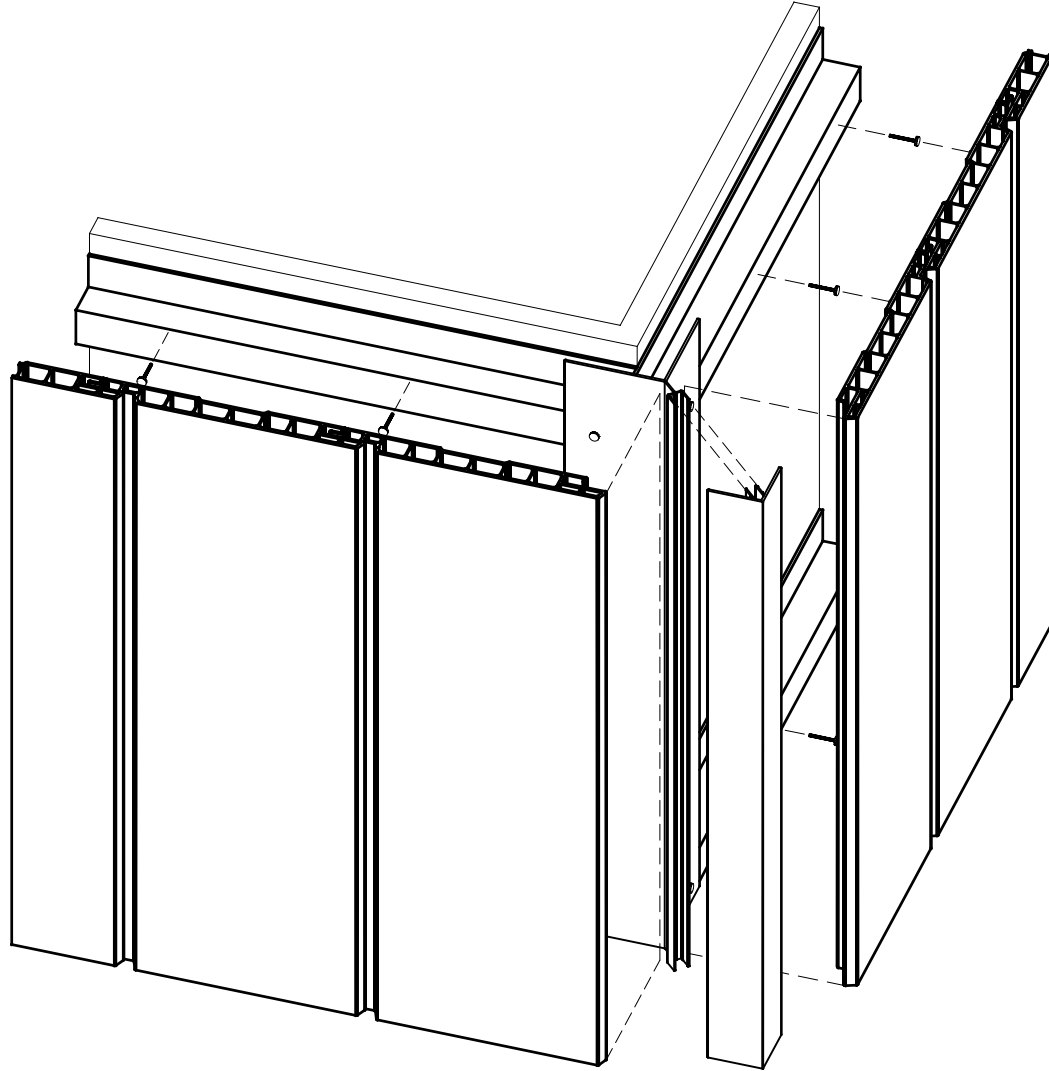


SITE: XXX	XX DRAWING NO.		XX PROJECT NO.	MM,DD,YY DATE.	 178 Pennsylvania Ave, Concord, ON L4K 4B1 Phone: 1(888)308-8898 email: info@nortwood.com www.nortwood.com
	NS SCALE AT A4.	AD DRAWN.	XX CHECKED.	00 REVISION.	
TITLE: 3D					


REVISIONS:			
REV:	DESCRIPTION:	BY:	DATE:
A	description	by	xx/xx/xx



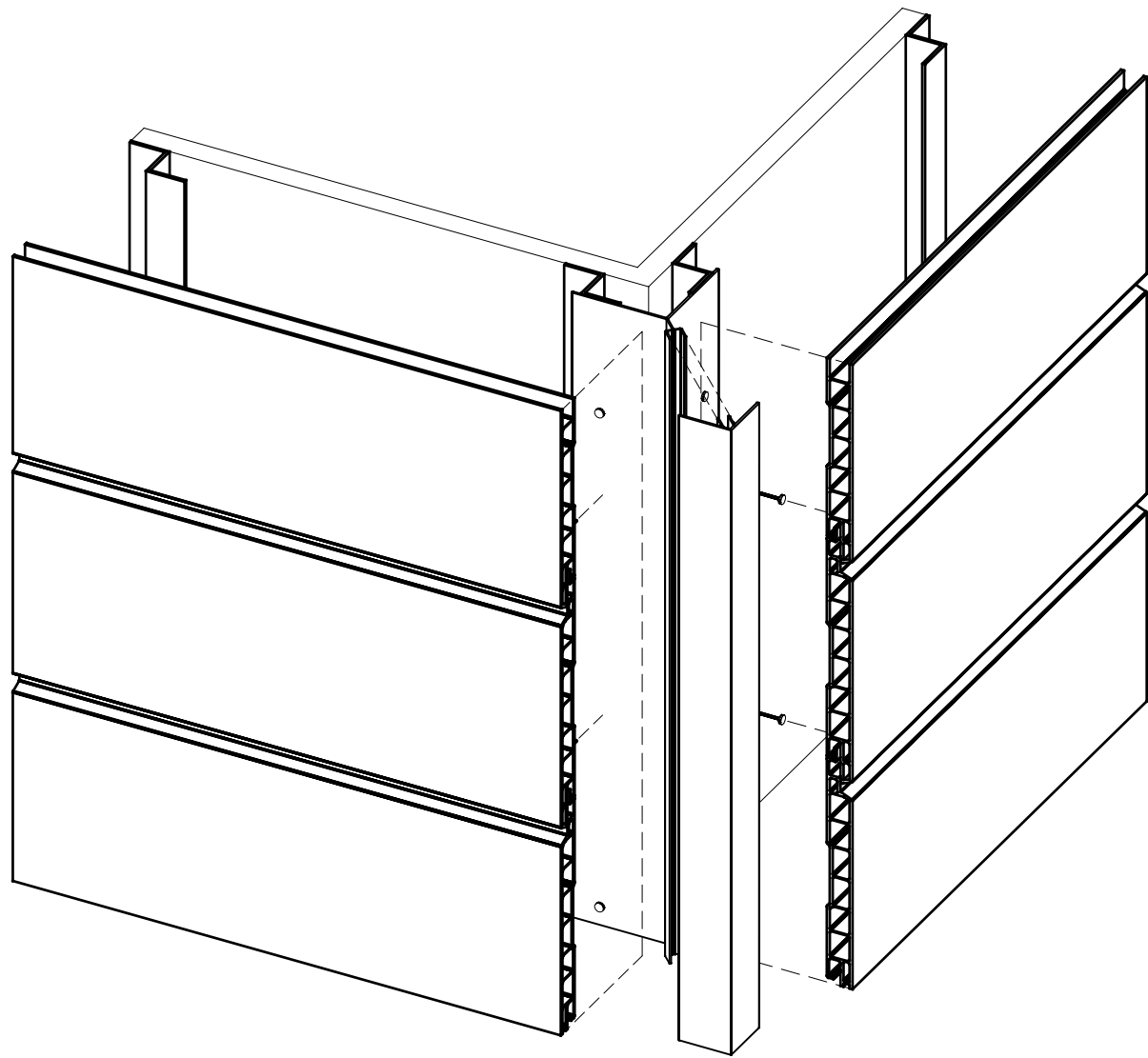
SITE: XXX	XX DRAWING NO.	XX PROJECT NO.	MM,DD,YY DATE.	 178 Pennsylvania Ave, Concord, ON L4K 4B1 Phone: 1(888)308-8898 email: info@nortwood.com www.nortwood.com
TITLE: 3D	NS SCALE AT A4.	AD DRAWN.	XX CHECKED.	




REVISIONS:			
REV:	DESCRIPTION:	BY:	DATE:
A	description	by	xx/xx/xx

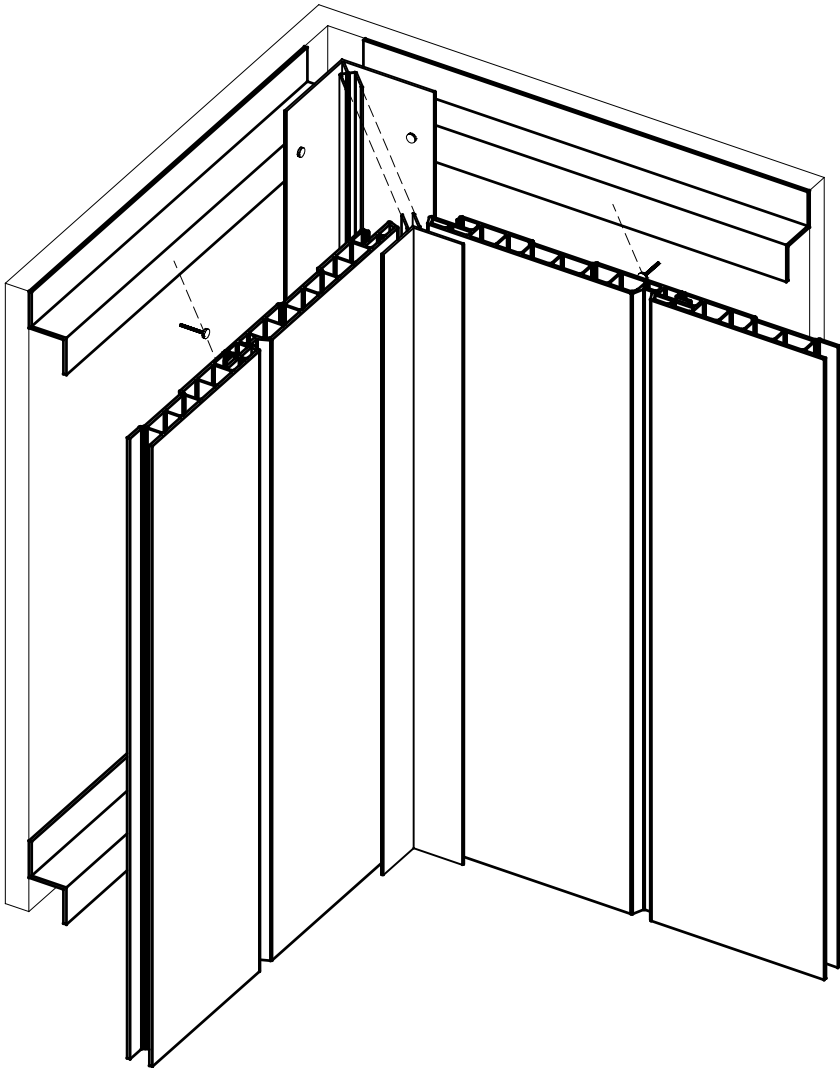
SITE: XXX	XX DRAWING NO.		XX PROJECT NO.	MM,DD,YY DATE.	 178 Pennsylvania Ave, Concord, ON L4K 4B1 Phone: 1(888)308-8898 email: info@nortwood.com www.nortwood.com
	NS SCALE AT A4.	AD DRAWN.	XX CHECKED.	00 REVISION.	
TITLE: 3D					


REVISIONS:			
REV:	DESCRIPTION:	BY:	DATE:
A	description	by	xx/xx/xx



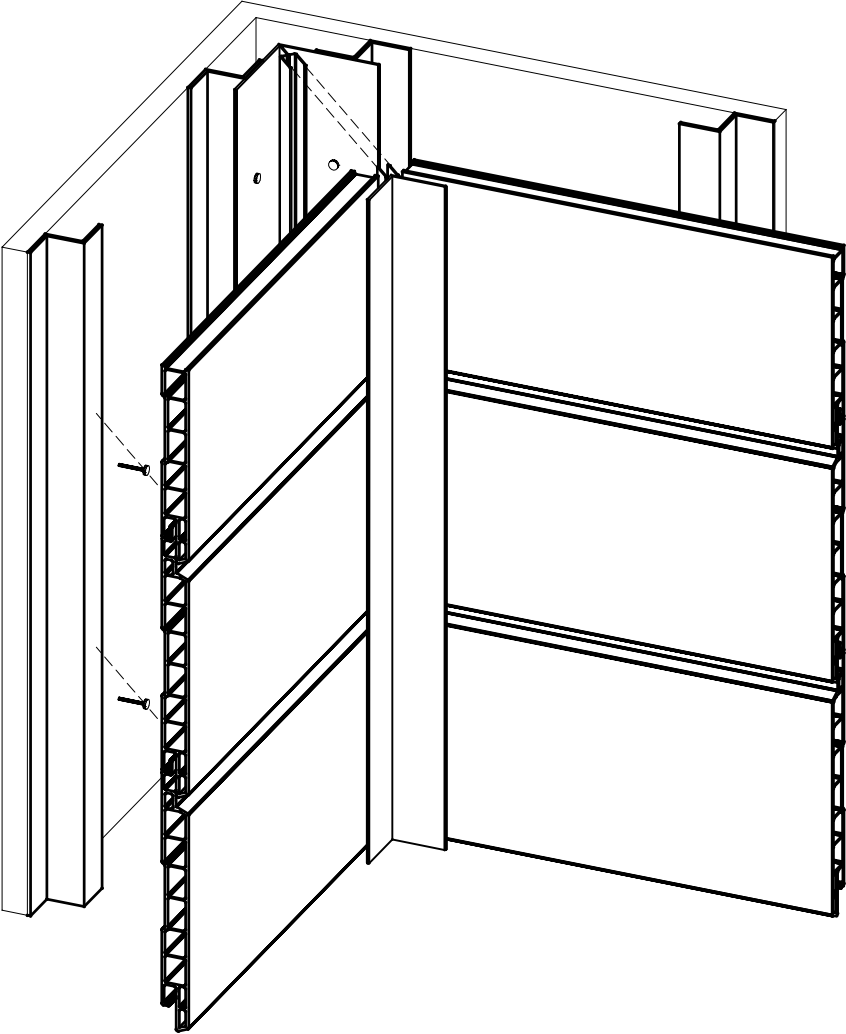
SITE: XXX	XX DRAWING NO.	XX PROJECT NO.	MM,DD,YY DATE.	 <p>178 Pennsylvania Ave, Concord, ON L4K 4B1 Phone: 1(888)308-8898 email: info@nortwood.com www.nortwood.com</p>
TITLE: 3D	NS SCALE AT A4.	AD DRAWN.	XX CHECKED.	


REVISIONS:			
REV:	DESCRIPTION:	BY:	DATE:
A	description	by	xx/xx/xx



SITE: XXX	XX DRAWING NO.	XX PROJECT NO.	MM,DD,YY DATE.	 <p>178 Pennsylvania Ave, Concord, ON L4K 4B1 Phone: 1(888)308-8898 email: info@nortwood.com www.nortwood.com</p>
TITLE: 3D	NS SCALE AT A4.	AD DRAWN.	XX CHECKED.	

REVISIONS:			
REV:	DESCRIPTION:	BY:	DATE:
A	description	by	xx/xx/xx



SITE: XXX	XX DRAWING NO.	XX PROJECT NO.	MM,DD,YY DATE.	 <p>178 Pennsylvania Ave, Concord, ON L4K 4B1 Phone: 1(888)308-8898 email: info@nortwood.com www.nortwood.com</p>
TITLE: 3D	NS SCALE AT A4.	AD DRAWN.	XX CHECKED.	