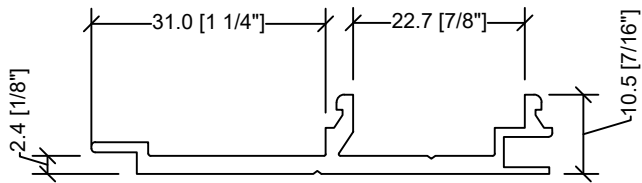


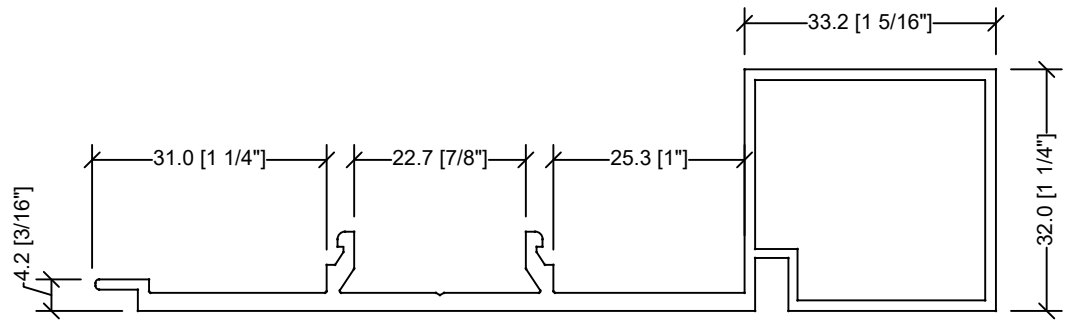
DSL.P.101.01

PIECES PER BUNDLE=X




DSL.P.102.01

PIECES PER BUNDLE=X

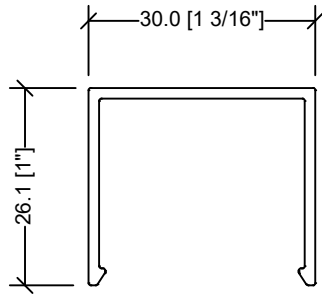


DSL.P.103.01

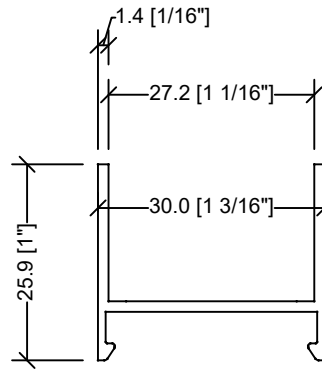
PIECES PER BUNDLE=X

SITE: XXX	XX		XX	MM,DD,YY	 133 Romina Dr, Concord, ON L4K 4Z9 Phone: 1(888)308-8898 email: info@nortwood.com www.nortwood.com
	DRAWING NO.	PROJECT NO.	DATE.		
TITLE: PROFILES	1:1	AD	XX	00	
	SCALE AT A4.	DRAWN.	CHECKED.	REVISION.	

PIECES PER BUNDLE=X

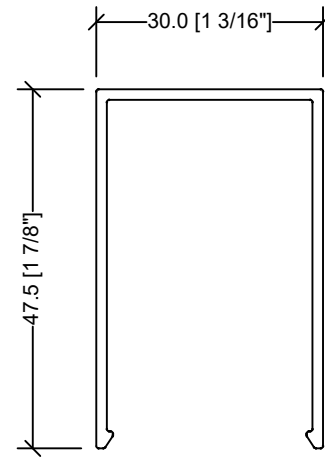


DSL.C.101.01



DSL.C.102.01

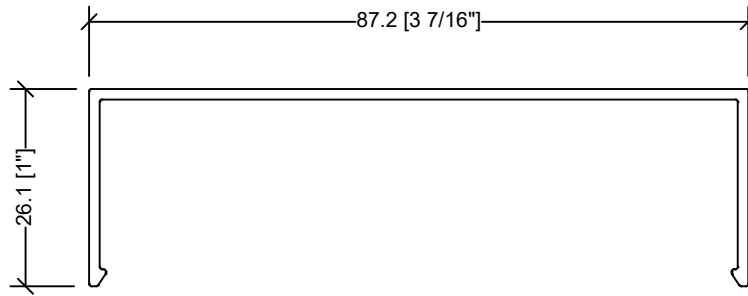
PIECES PER BUNDLE=X



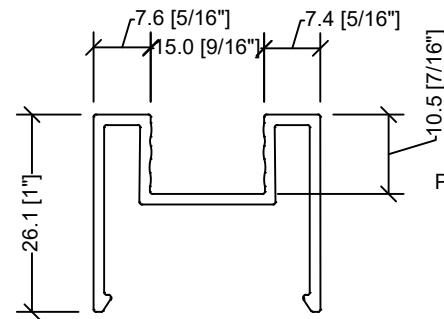
DSL.C.103.01

PIECES PER BUNDLE=X

PIECES PER BUNDLE=X




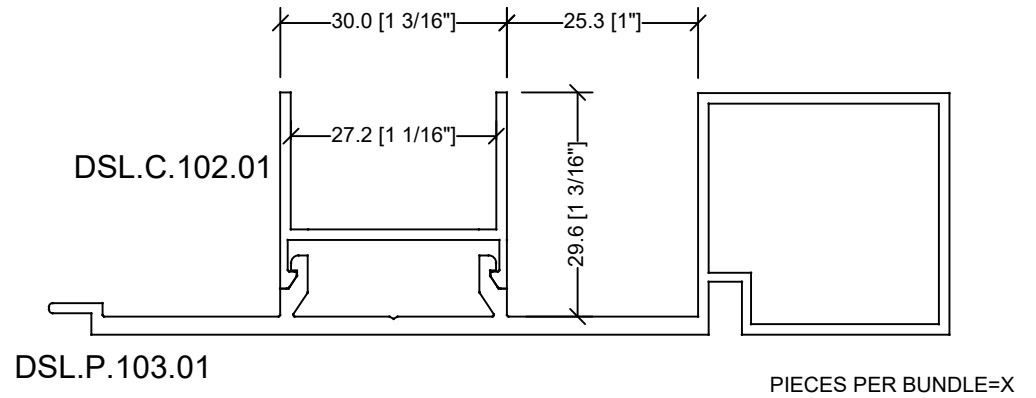
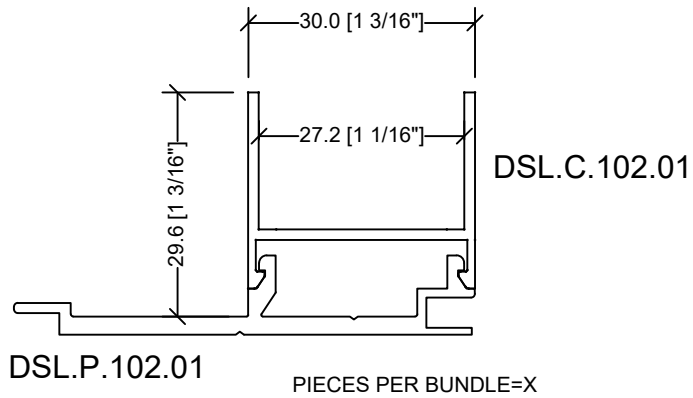
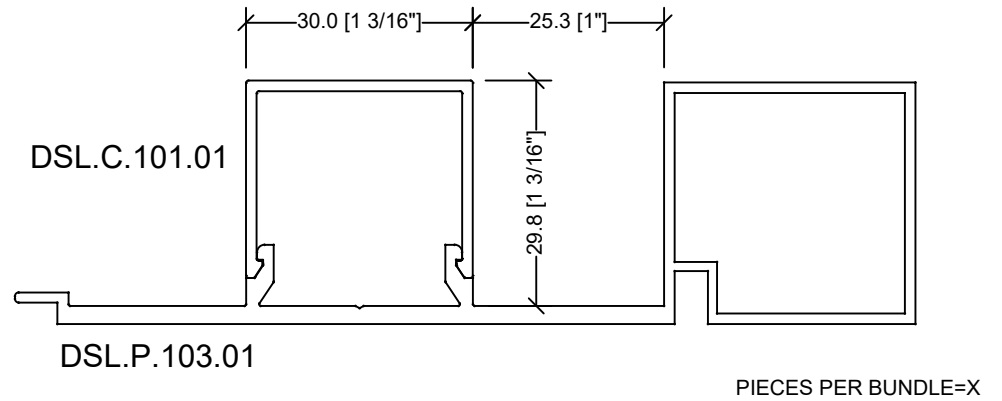
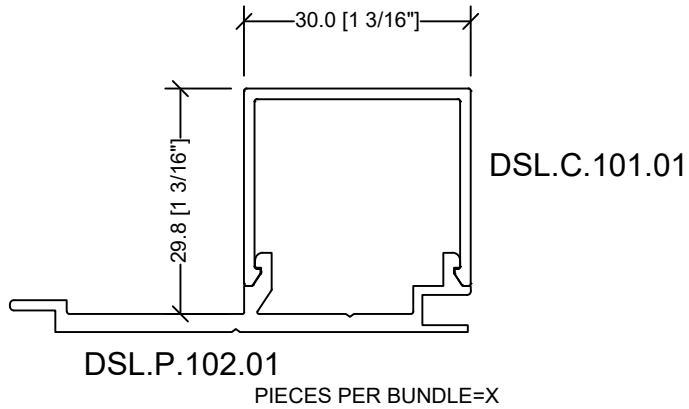
DSL.C.104.01




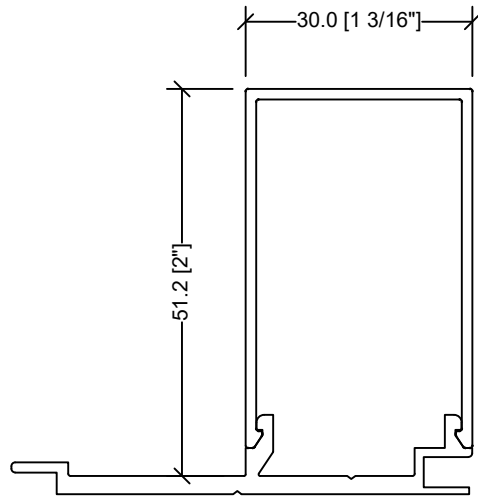
DSL.C.105.01

PIECES PER BUNDLE=X

SITE: XXX	XX DRAWING NO.		XX PROJECT NO.	MM,DD,YY DATE.	 133 Romina Dr, Concord, ON L4K 4Z9 Phone: 1(888)308-8898 email: info@nortwood.com www.nortwood.com
TITLE: PROFILE WITH CAPS	1:1 SCALE AT A4.	AD DRAWN.	XX CHECKED.	00 REVISION.	



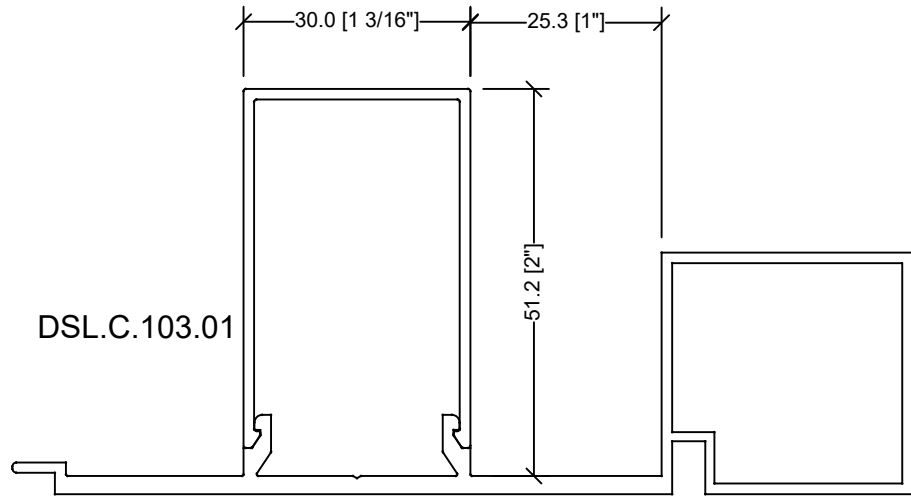
SITE: XXX	XX DRAWING NO.		XX PROJECT NO.	MM,DD,YY DATE.	 133 Romina Dr, Concord, ON L4K 4Z9 Phone: 1(888)308-8898 email: info@nortwood.com www.nortwood.com
	1:1 SCALE AT A4.	AD DRAWN.	XX CHECKED.	00 REVISION.	
TITLE: PROFILE WITH CAPS					



DSL.P.102.01

PIECES PER BUNDLE=X


DSL.C.103.01

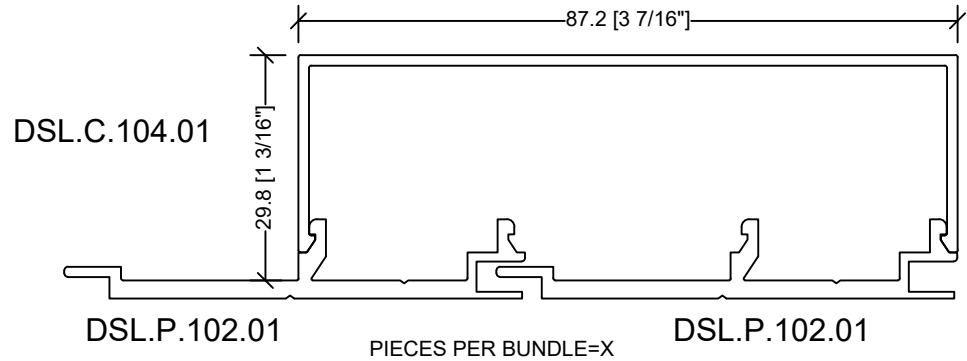
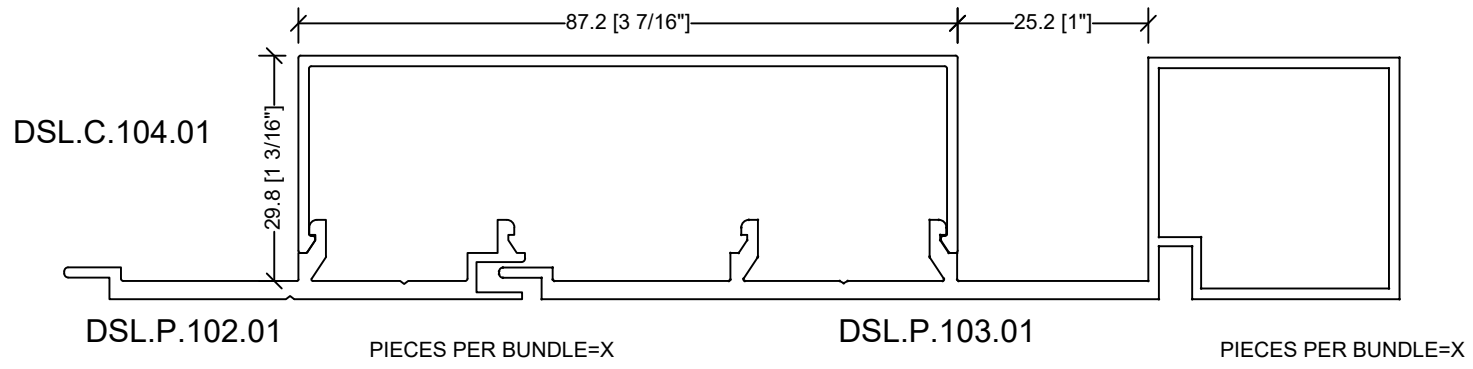



DSL.P.103.01

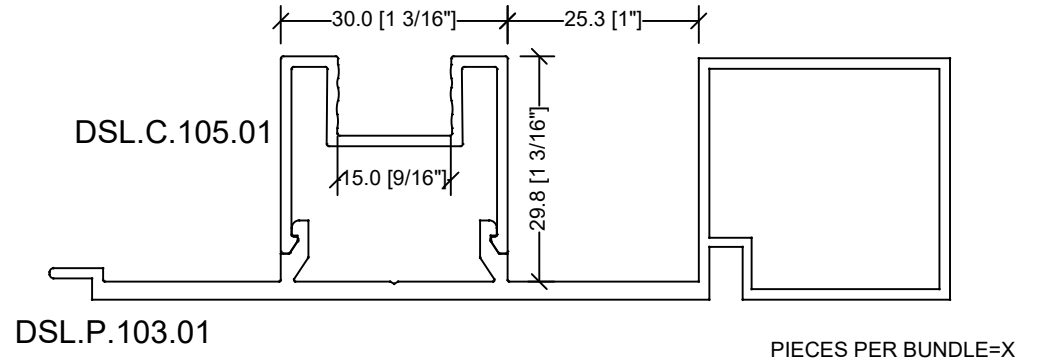
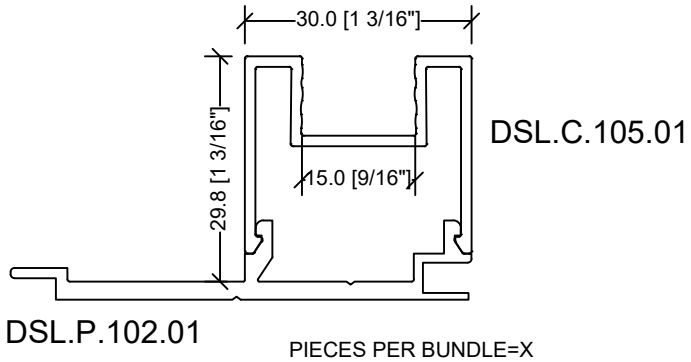
PIECES PER BUNDLE=X


DSL.C.103.01

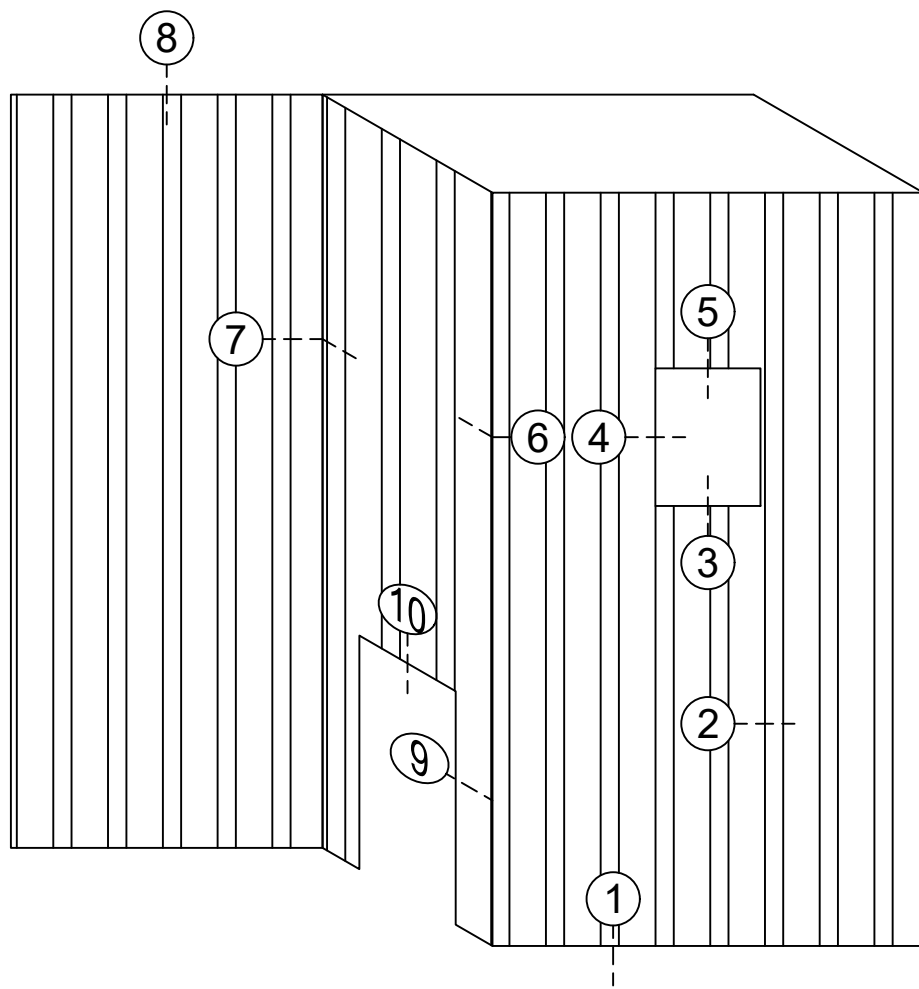
SITE: XXX	XX		XX	MM,DD,YY	 133 Romina Dr, Concord, ON L4K 4Z9 Phone: 1(888)308-8898 email: info@nortwood.com www.nortwood.com
	DRAWING NO.		PROJECT NO.	DATE.	
TITLE: PROFILE WITH CAPS	1:1	AD	XX	00	
	SCALE AT A4.	DRAWN.	CHECKED.	REVISION.	



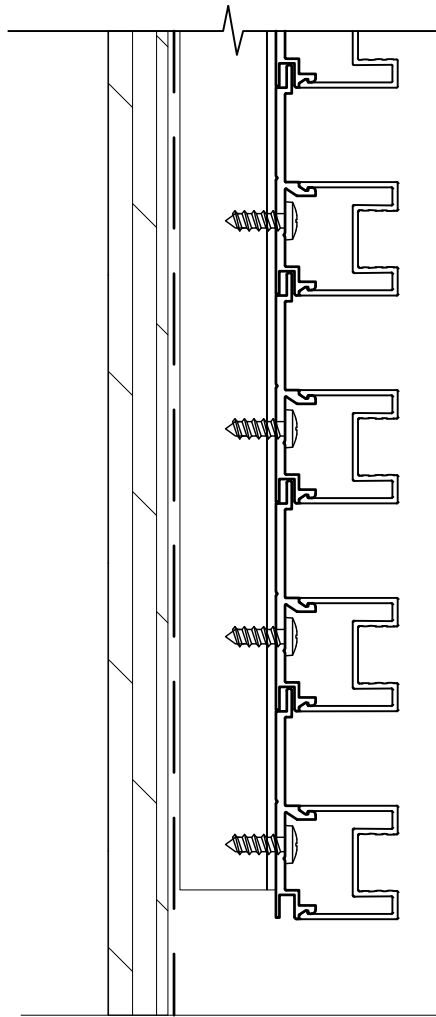
SITE: XXX	XX DRAWING NO.		XX PROJECT NO.	MM,DD,YY DATE.	 133 Romina Dr, Concord, ON L4K 4Z9 Phone: 1(888)308-8898 email: info@nortwood.com www.nortwood.com
	TITLE: PROFILE WITH CAPS	1:1 SCALE AT A4.	AD DRAWN.	XX CHECKED.	



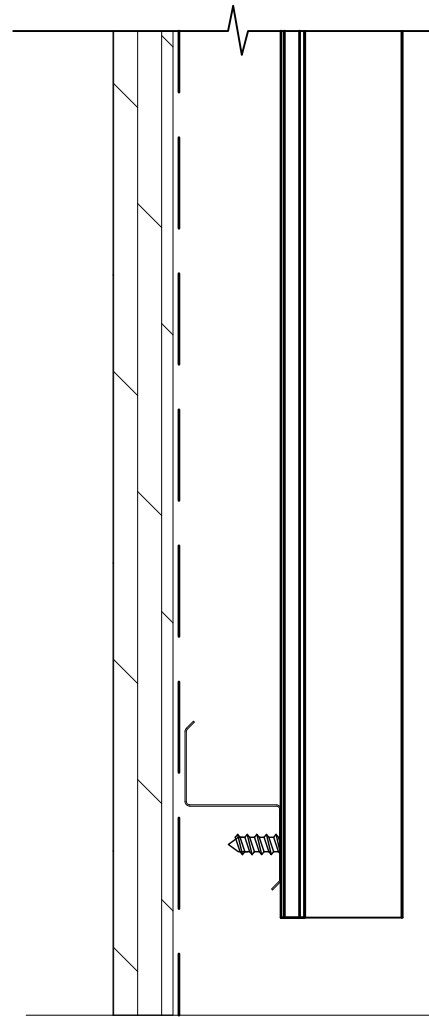
SITE: XXX	XX		XX	MM,DD,YY	 133 Romina Dr, Concord, ON L4K 4Z9 Phone: 1(888)308-8898 email: info@nortwood.com www.nortwood.com
	DRAWING NO.	PROJECT NO.	DATE.		
TITLE: PROFILE WITH CAPS	1:1	AD	XX	00	
	SCALE AT A4.	DRAWN.	CHECKED.	REVISION.	




SITE: XXX	XX DRAWING NO.		XX PROJECT NO.	MM,DD,YY DATE.	
TITLE: DETAILS	N.S. SCALE AT A4.	AD DRAWN.	XX CHECKED.	00 REVISION.	

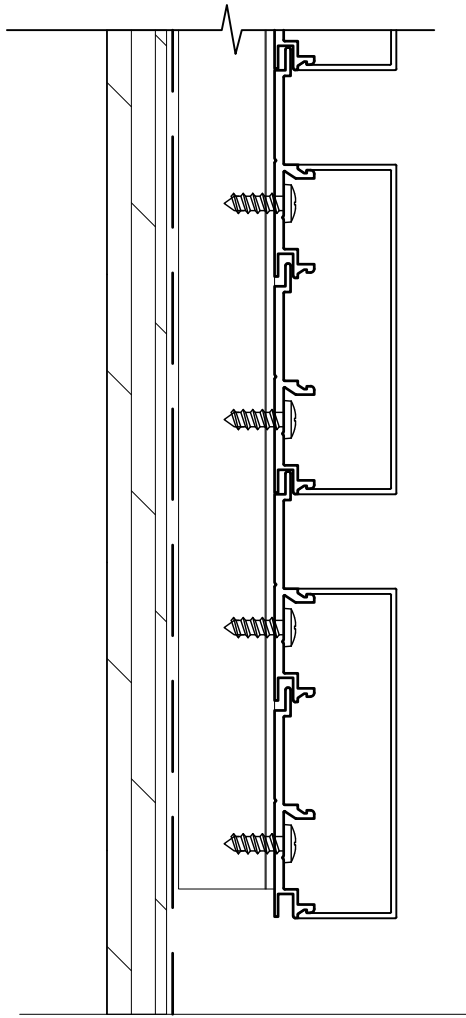


DSL.P.102.01 HORIZ.
DSL.C.105.01 HORIZ.

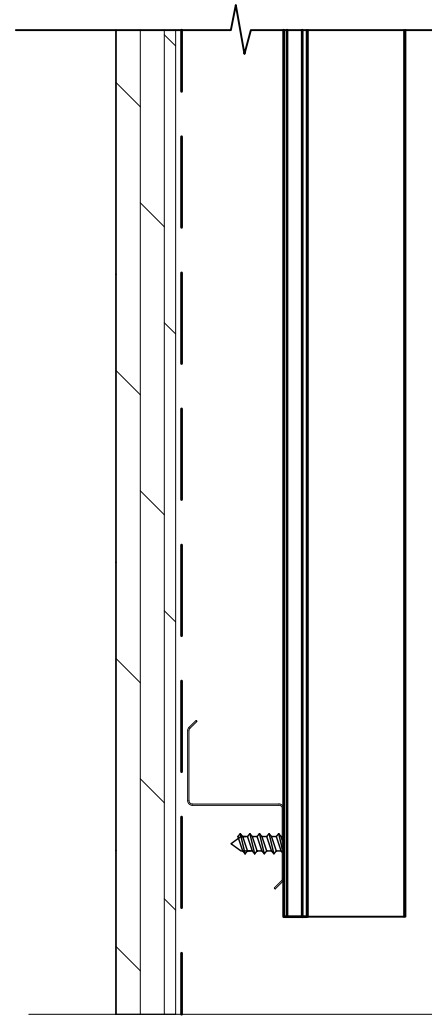


DSL.P.102.01 VERT.
DSL.C.105.01 VERT.


SITE: XXX	XX DRAWING NO.		XX PROJECT NO.	MM,DD,YY DATE.	 133 Romina Dr, Concord, ON L4K 4Z9 Phone: 1(888)308-8898 email: info@nortwood.com www.nortwood.com
TITLE: DETAIL 1	1:2 SCALE AT A4.	AD DRAWN.	XX CHECKED.	00 REVISION.	

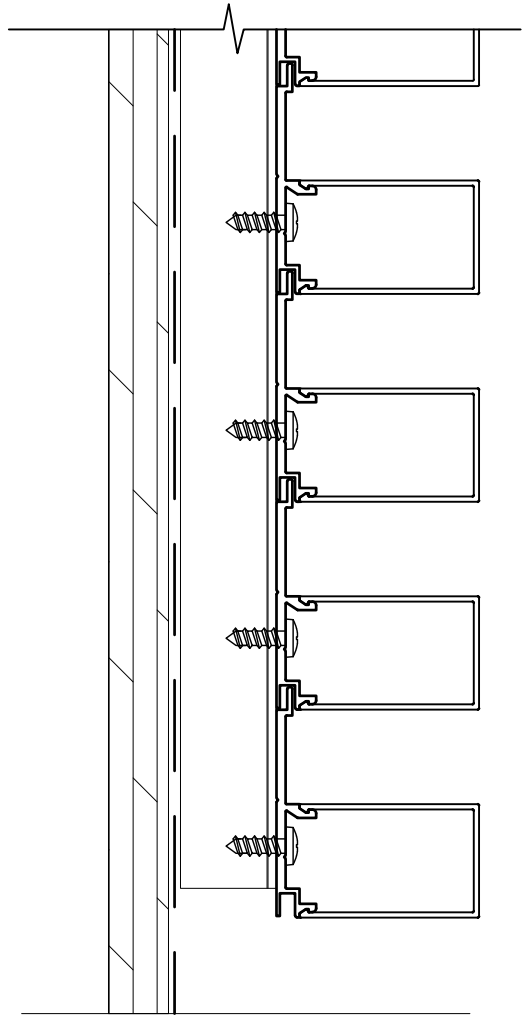


DSL.P.102.01 HORIZ.
DSL.C.104.01 HORIZ.

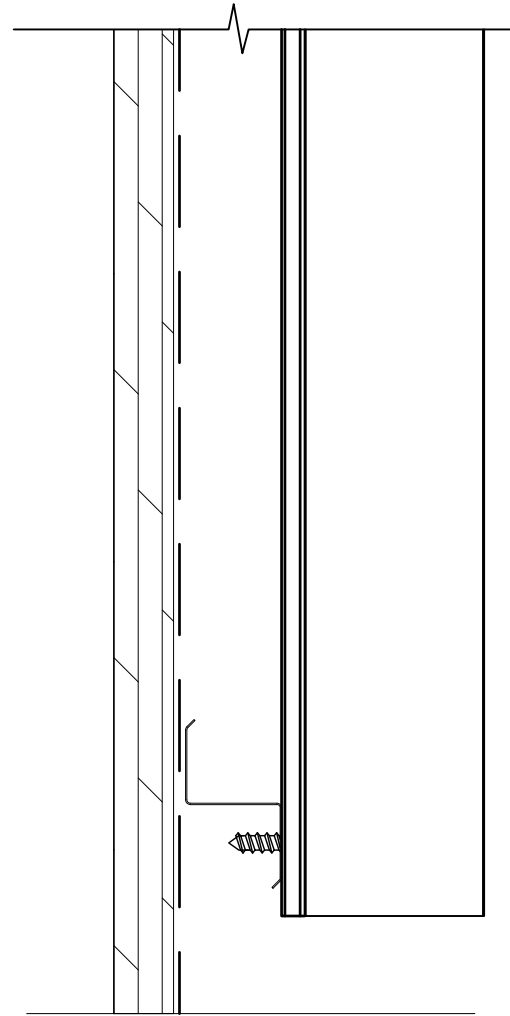


DSL.P.102.01 VERT.
DSL.C.104.01 VERT.


SITE: XXX	XX DRAWING NO.		XX PROJECT NO.	MM,DD,YY DATE.	 133 Romina Dr, Concord, ON L4K 4Z9 Phone: 1(888)308-8898 email: info@nortwood.com www.nortwood.com
TITLE: DETAIL 1	1:2 SCALE AT A4.	AD DRAWN.	XX CHECKED.	00 REVISION.	

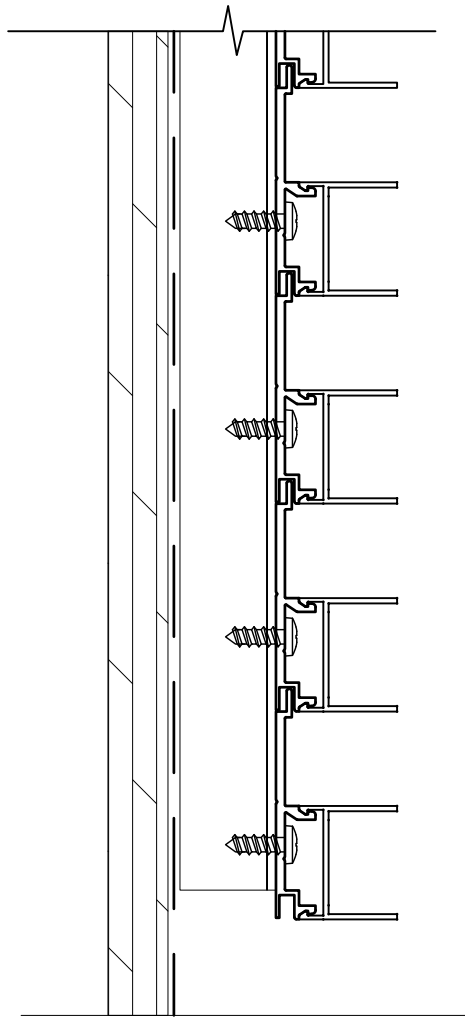


DSL.P.102.01 HORIZ.
DSL.C.103.01 HORIZ.

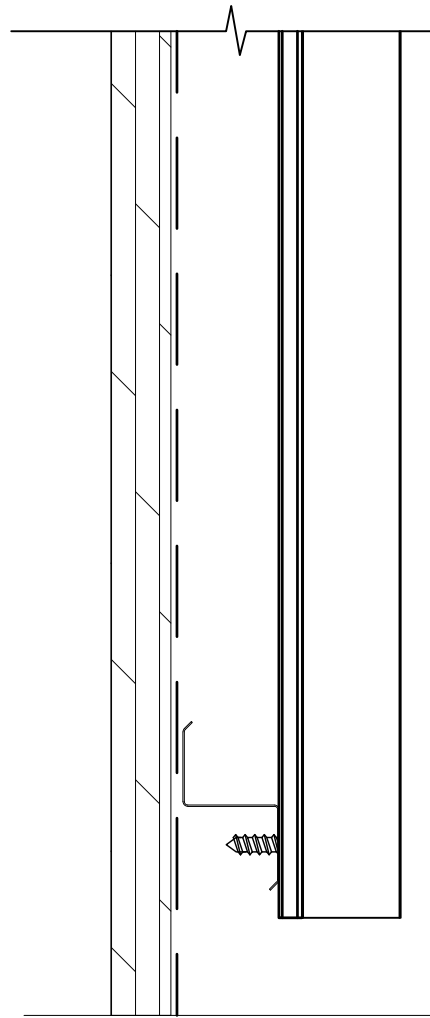


DSL.P.102.01 VERT.
DSL.C.103.01 VERT.


SITE: XXX	XX DRAWING NO.		XX PROJECT NO.	MM,DD,YY DATE.	
TITLE: DETAIL 1	1:2 SCALE AT A4.	AD DRAWN.	XX CHECKED.	00 REVISION.	

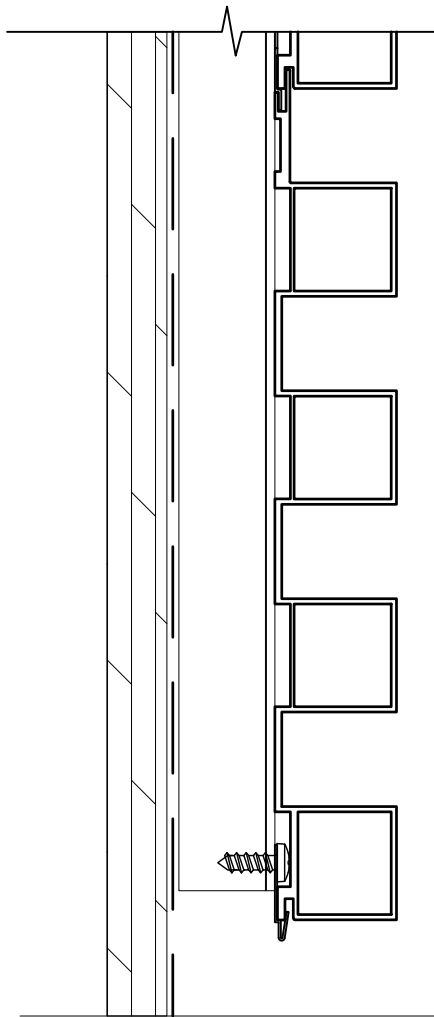


DSL.P.102.01 HORIZ.
DSL.C.102.01 HORIZ.

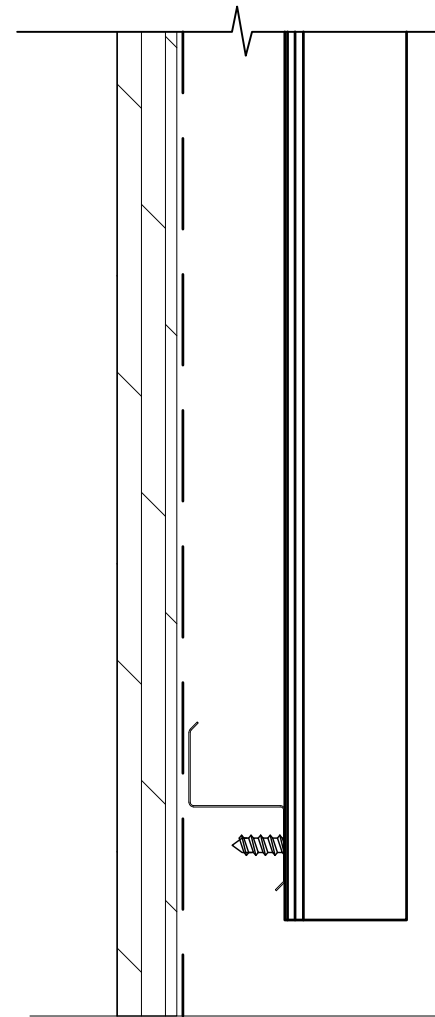


DSL.P.102.01 VERT.
DSL.C.102.01 VERT.


SITE: XXX	XX DRAWING NO.		XX PROJECT NO.	MM,DD,YY DATE.	 133 Romina Dr, Concord, ON L4K 4Z9 Phone: 1(888)308-8898 email: info@nortwood.com www.nortwood.com
TITLE: DETAIL 1	1:2 SCALE AT A4.	AD DRAWN.	XX CHECKED.	00 REVISION.	

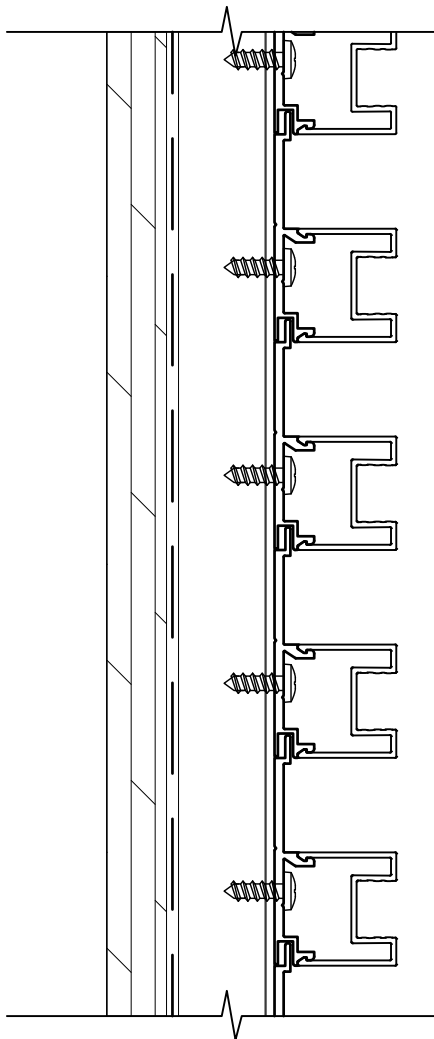


DSL.P.101.01 HORIZ.

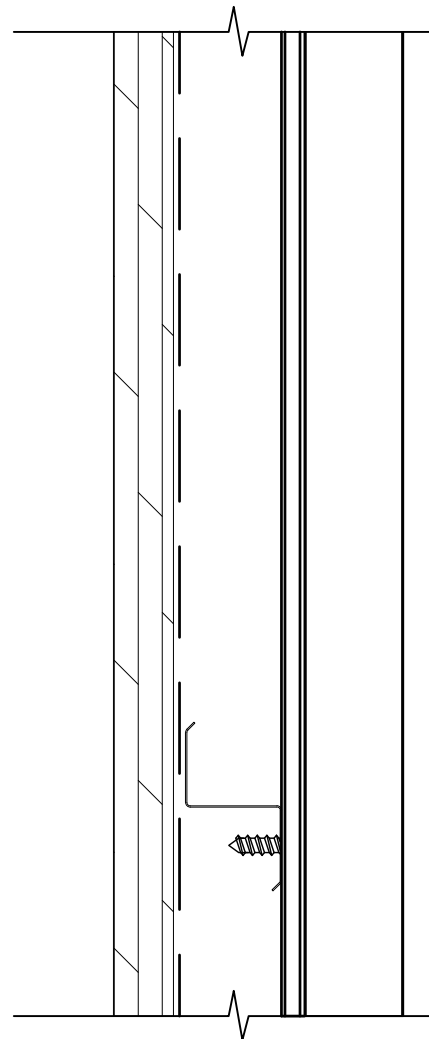


DSL.P.101.01 VERT.


SITE: XXX	XX DRAWING NO.		XX PROJECT NO.	MM,DD,YY DATE.	 133 Romina Dr, Concord, ON L4K 4Z9 Phone: 1(888)308-8898 email: info@nortwood.com www.nortwood.com
TITLE: DETAIL 1	1:2 SCALE AT A4.	AD DRAWN.	XX CHECKED.	00 REVISION.	

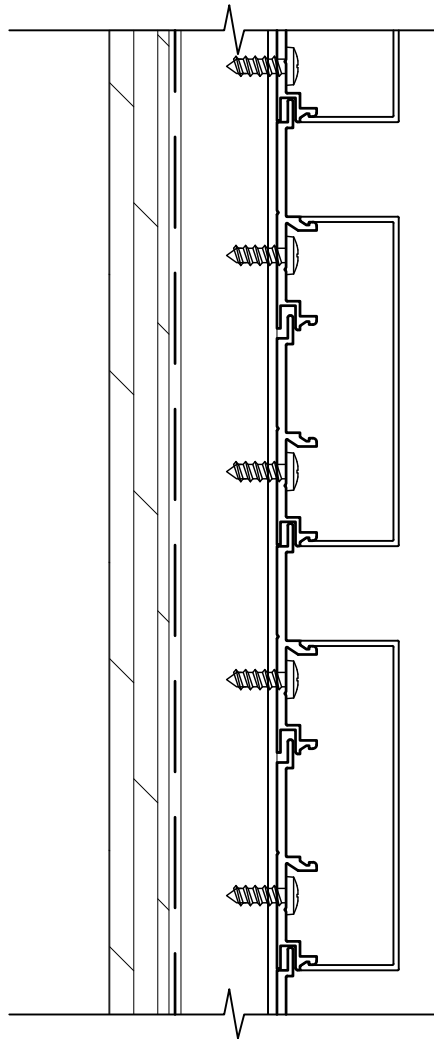


DSL.P.102.01 HORIZ.
DSL.C.105.01 HORIZ.

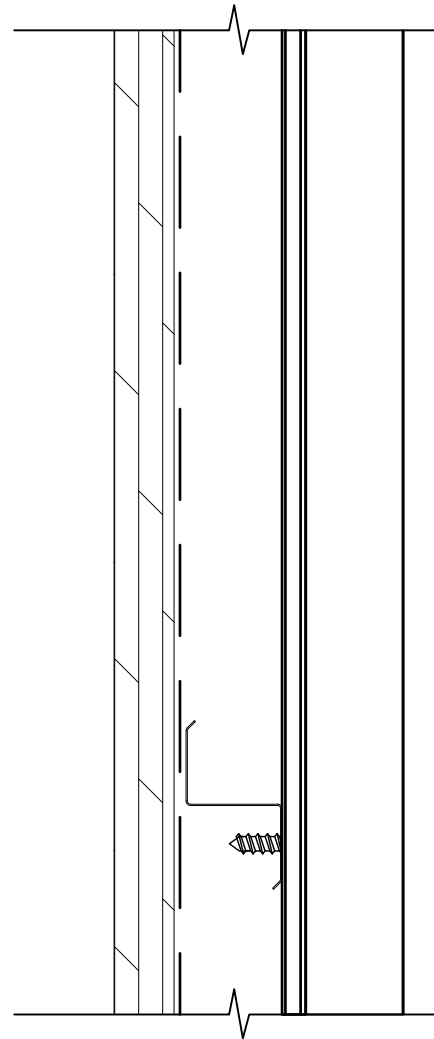


DSL.P.102.01 VERT.
DSL.C.105.01 VERT.


SITE: XXX	XX DRAWING NO.		XX PROJECT NO.	MM,DD,YY DATE.	 133 Romina Dr, Concord, ON L4K 4Z9 Phone: 1(888)308-8898 email: info@nortwood.com www.nortwood.com
TITLE: DETAIL 2	1:2 SCALE AT A4.	AD DRAWN.	XX CHECKED.	00 REVISION.	

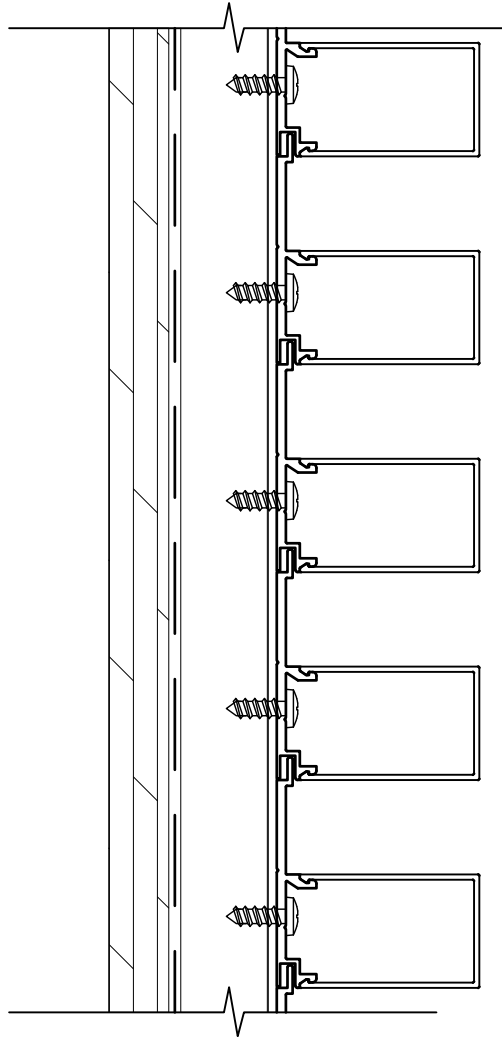


DSL.P.102.01 HORIZ.
DSL.C.104.01 HORIZ.

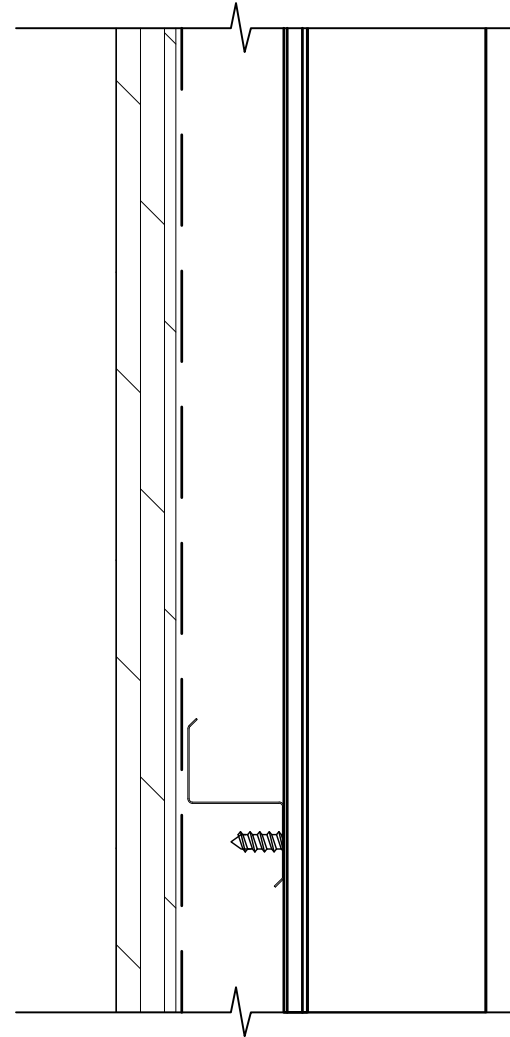


DSL.P.102.01 VERT.
DSL.C.104.01 VERT.


SITE: XXX	XX DRAWING NO.		XX PROJECT NO.	MM,DD,YY DATE.	 133 Romina Dr, Concord, ON L4K 4Z9 Phone: 1(888)308-8898 email: info@nortwood.com www.nortwood.com
TITLE: DETAIL 2	1:2 SCALE AT A4.	AD DRAWN.	XX CHECKED.	00 REVISION.	

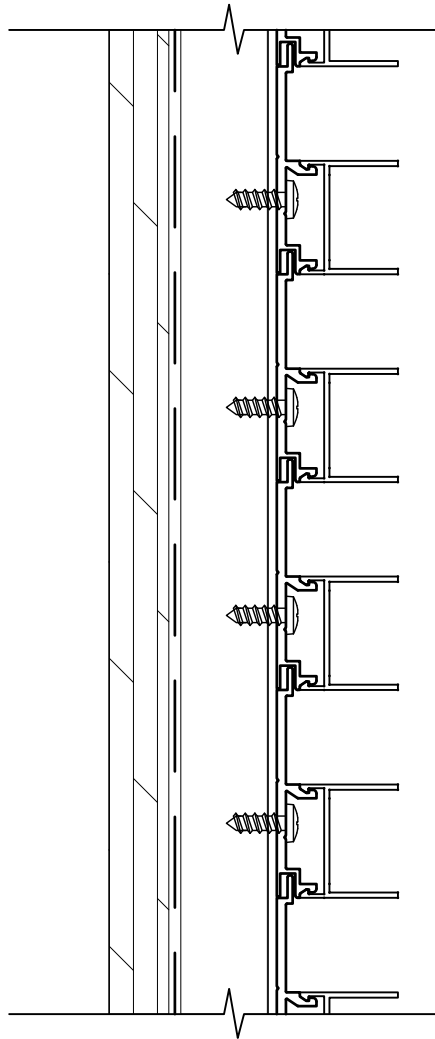


DSL.P.102.01 HORIZ.
DSL.C.103.01 HORIZ.

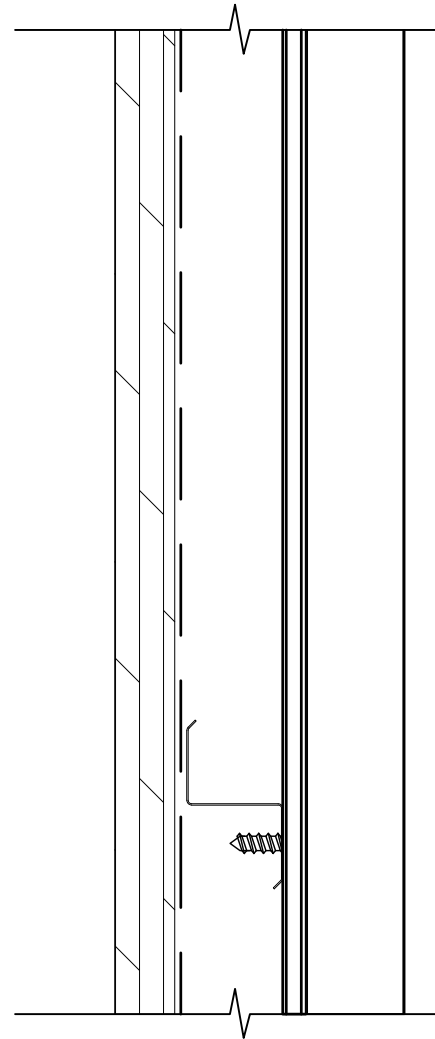


DSL.P.102.01 VERT.
DSL.C.103.01 VERT.


SITE: XXX	XX DRAWING NO.		XX PROJECT NO.	MM,DD,YY DATE.	 133 Romina Dr, Concord, ON L4K 4Z9 Phone: 1(888)308-8898 email: info@nortwood.com www.nortwood.com
	TITLE: DETAIL 2	1:2 SCALE AT A4.	AD DRAWN.	XX CHECKED.	

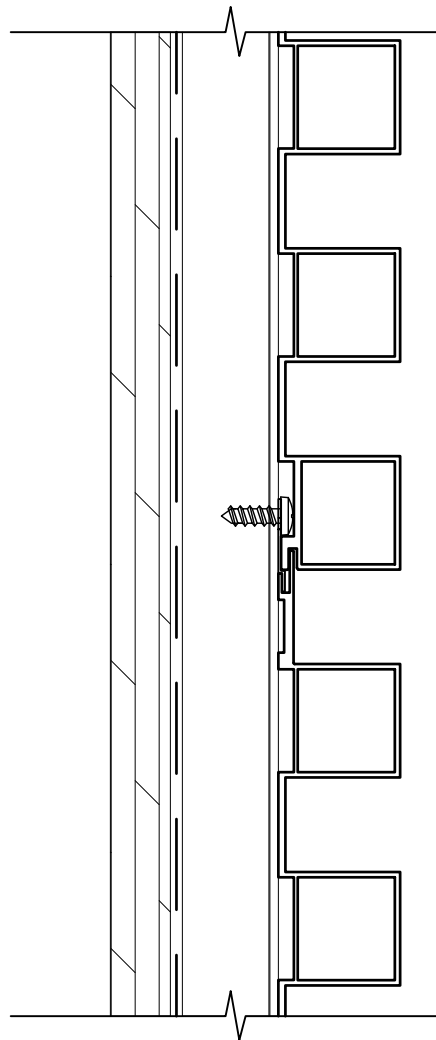


DSL.P.102.01 HORIZ.
DSL.C.102.01 HORIZ.

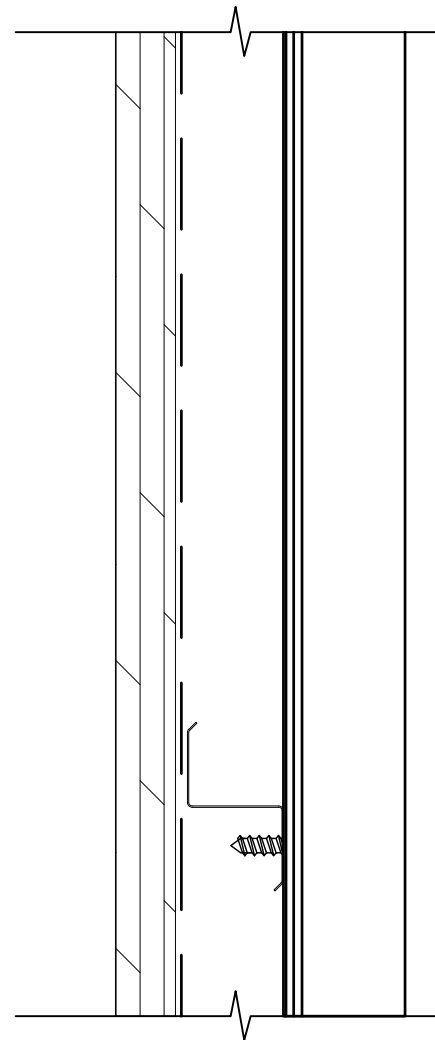


DSL.P.102.01 VERT.
DSL.C.102.01 VERT.


SITE: XXX	XX DRAWING NO.		XX PROJECT NO.	MM,DD,YY DATE.	
TITLE: DETAIL 2	1:2 SCALE AT A4.	AD DRAWN.	XX CHECKED.	00 REVISION.	

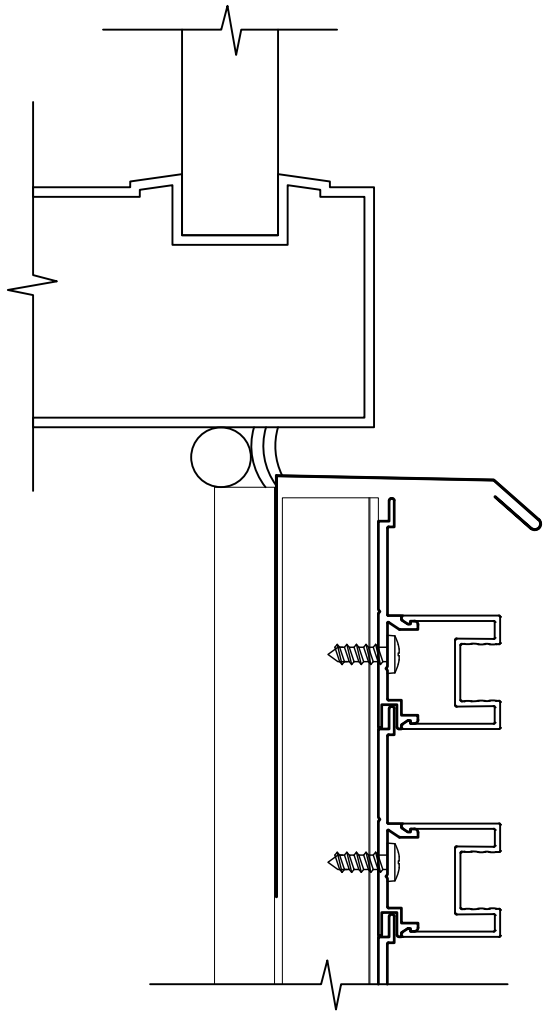


DSL.P.101.01 HORIZ.

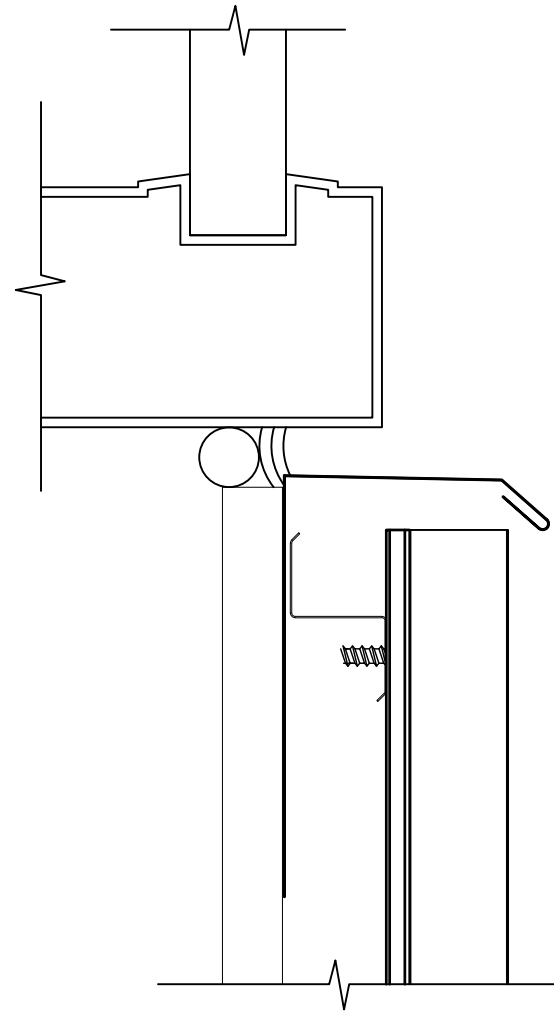


DSL.P.101.01 VERT.


SITE: XXX	XX DRAWING NO.		XX PROJECT NO.	MM,DD,YY DATE.	 133 Romina Dr, Concord, ON L4K 4Z9 Phone: 1(888)308-8898 email: info@nortwood.com www.nortwood.com
	1:2 SCALE AT A4.	AD DRAWN.	XX CHECKED.	00 REVISION.	
TITLE: DETAIL 2					

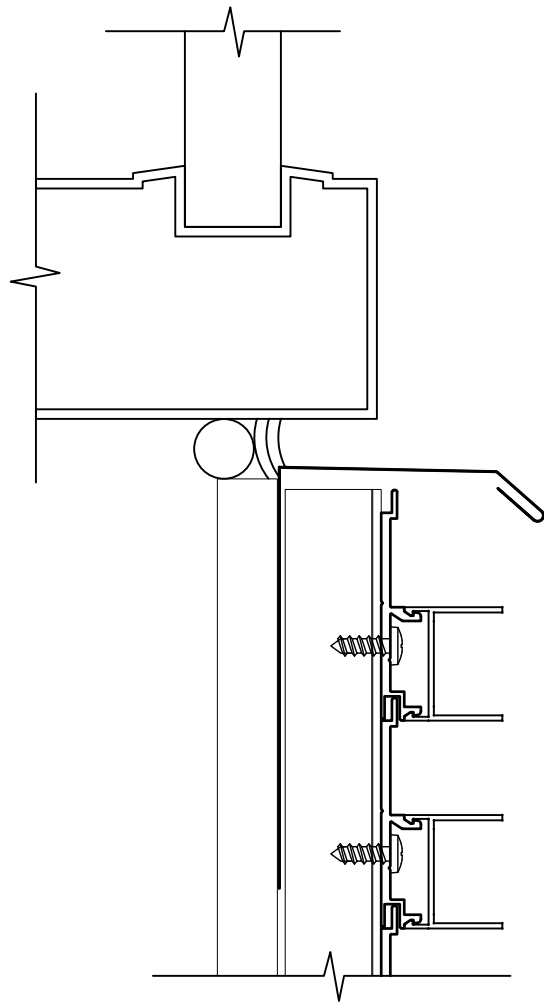


DSL.P.102.01 HORIZ.
DSL.C.105.01 HORIZ.

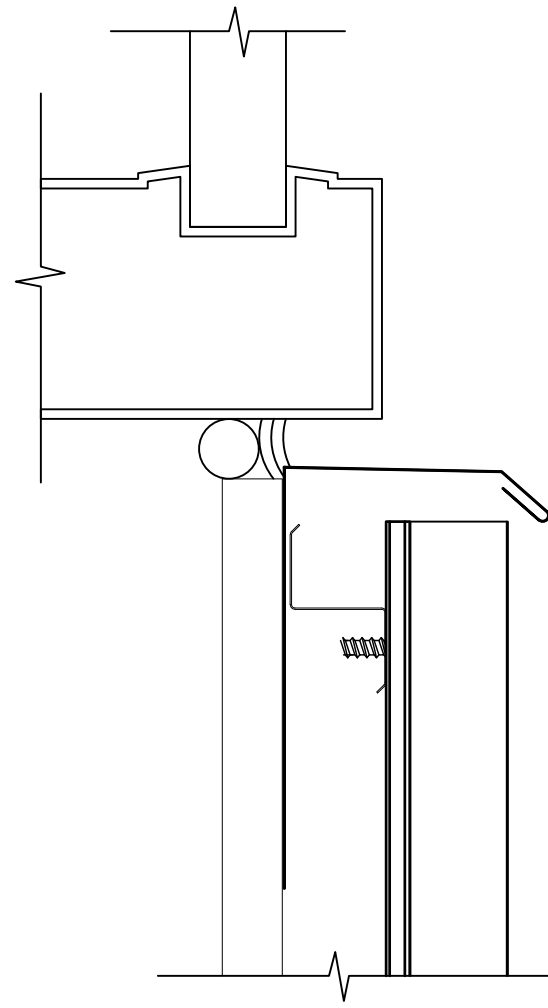


DSL.P.102.01 VERT.
DSL.C.105.01 VERT.


SITE: XXX	XX DRAWING NO.		XX PROJECT NO.	MM,DD,YY DATE.	 133 Romina Dr, Concord, ON L4K 4Z9 Phone: 1(888)308-8898 email: info@nortwood.com www.nortwood.com
TITLE: DETAIL 3	1:2 SCALE AT A4.	AD DRAWN.	XX CHECKED.	00 REVISION.	

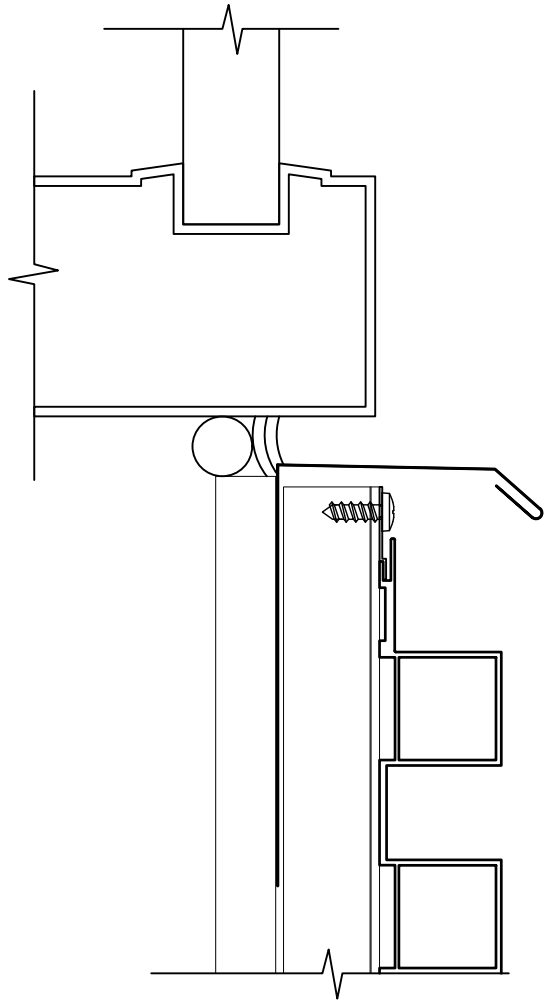


DSL.P.102.01 HORIZ.
DSL.C.102.01 HORIZ.

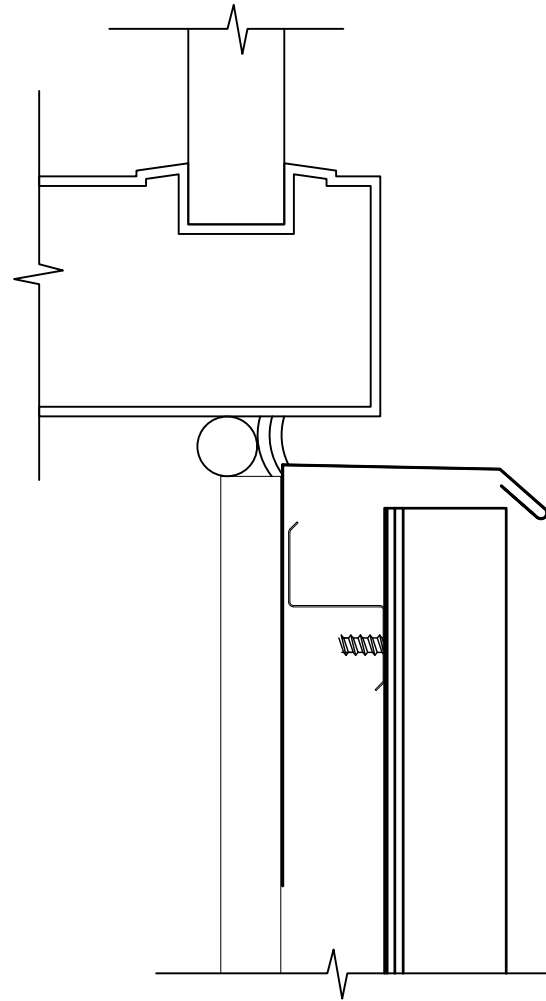


DSL.P.102.01 VERT.
DSL.C.102.01 VERT.


SITE: XXX	XX DRAWING NO.		XX PROJECT NO.	MM,DD,YY DATE.	 133 Romina Dr, Concord, ON L4K 4Z9 Phone: 1(888)308-8898 email: info@nortwood.com www.nortwood.com
TITLE: DETAIL 3	1:2 SCALE AT A4.	AD DRAWN.	XX CHECKED.	00 REVISION.	

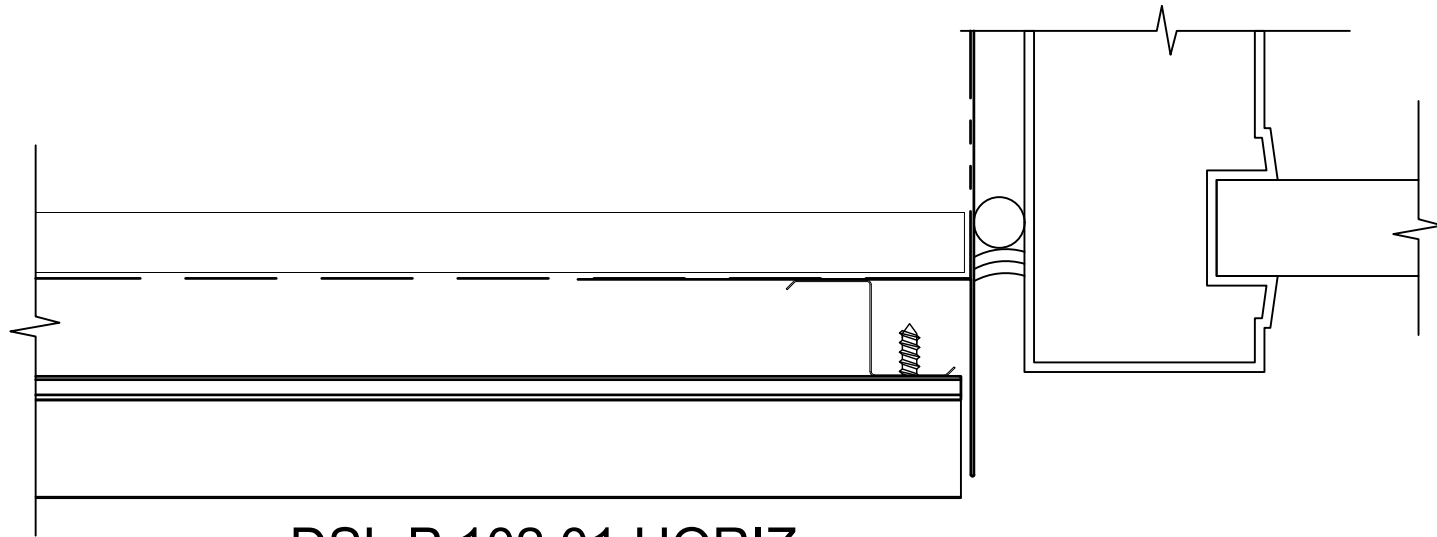


DSL.P.101.01 HORIZ.

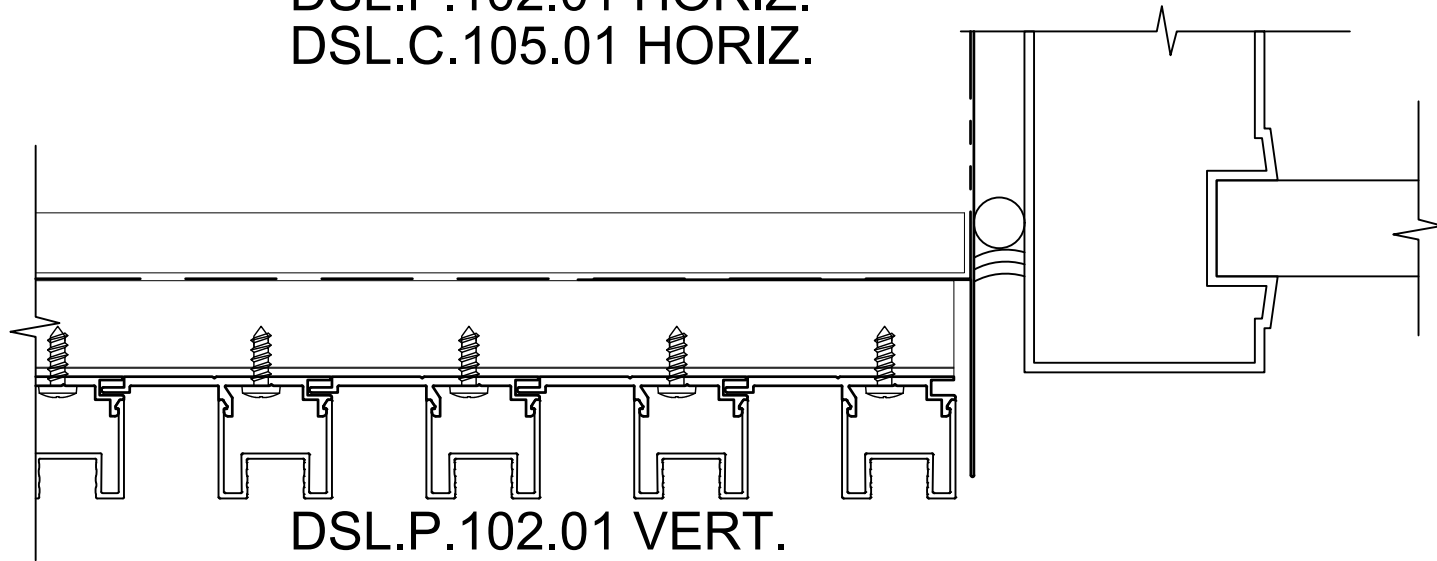


DSL.P.101.01 VERT.


SITE: XXX	XX DRAWING NO.		XX PROJECT NO.	MM,DD,YY DATE.	 133 Romina Dr, Concord, ON L4K 4Z9 Phone: 1(888)308-8898 email: info@nortwood.com www.nortwood.com
TITLE: DETAIL 3	1:2 SCALE AT A4.	AD DRAWN.	XX CHECKED.	00 REVISION.	

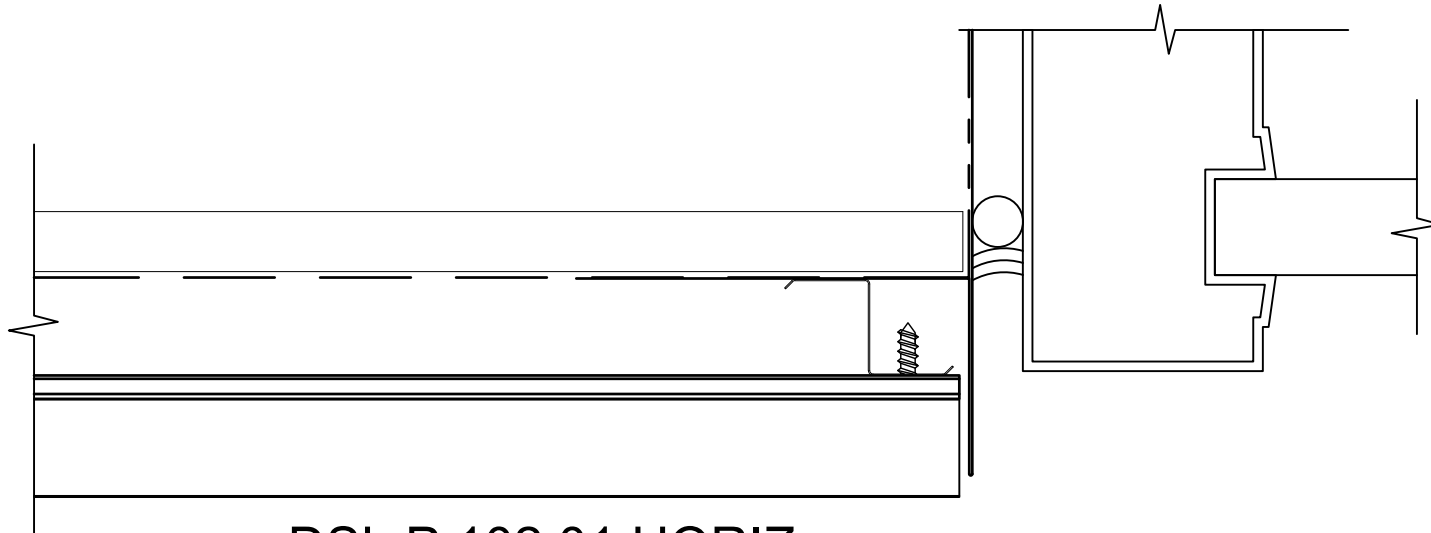


DSL.P.102.01 HORIZ.
DSL.C.105.01 HORIZ.

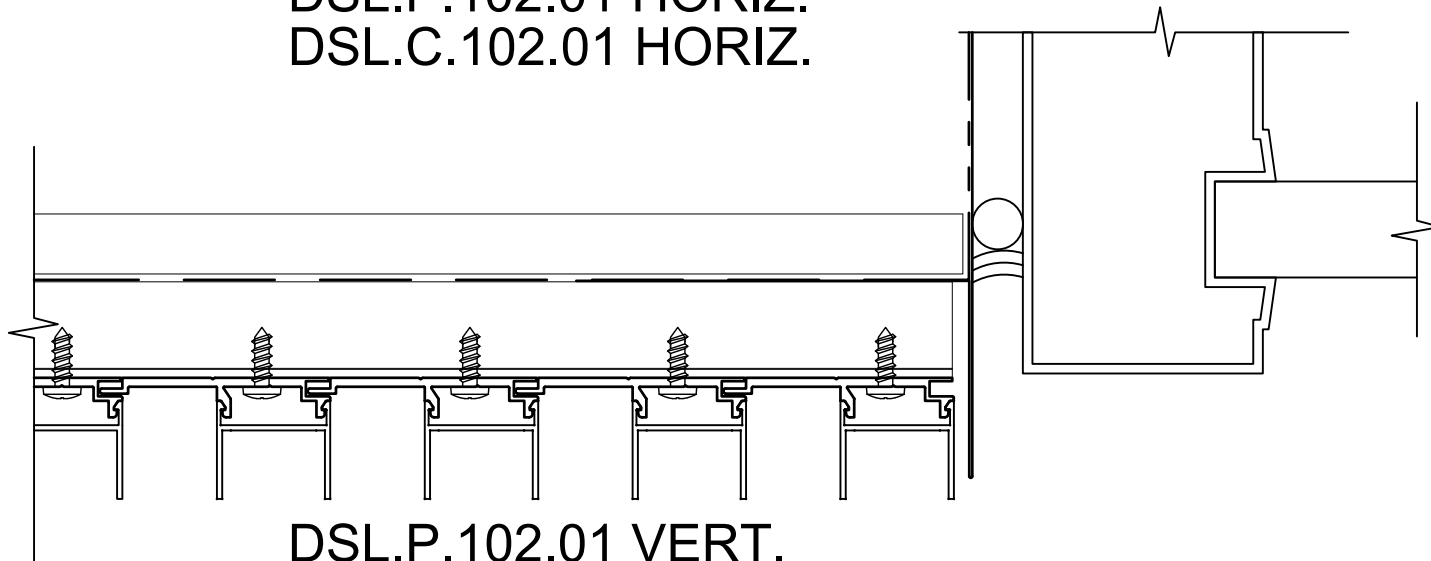


DSL.P.102.01 VERT.
DSL.C.105.01 VERT.


SITE: XXX	XX DRAWING NO.		XX PROJECT NO.	MM,DD,YY DATE.	 133 Romina Dr, Concord, ON L4K 4Z9 Phone: 1(888)308-8898 email: info@nortwood.com www.nortwood.com
	TITLE: DETAIL 4	1:2 SCALE AT A4.	AD DRAWN.	XX CHECKED.	

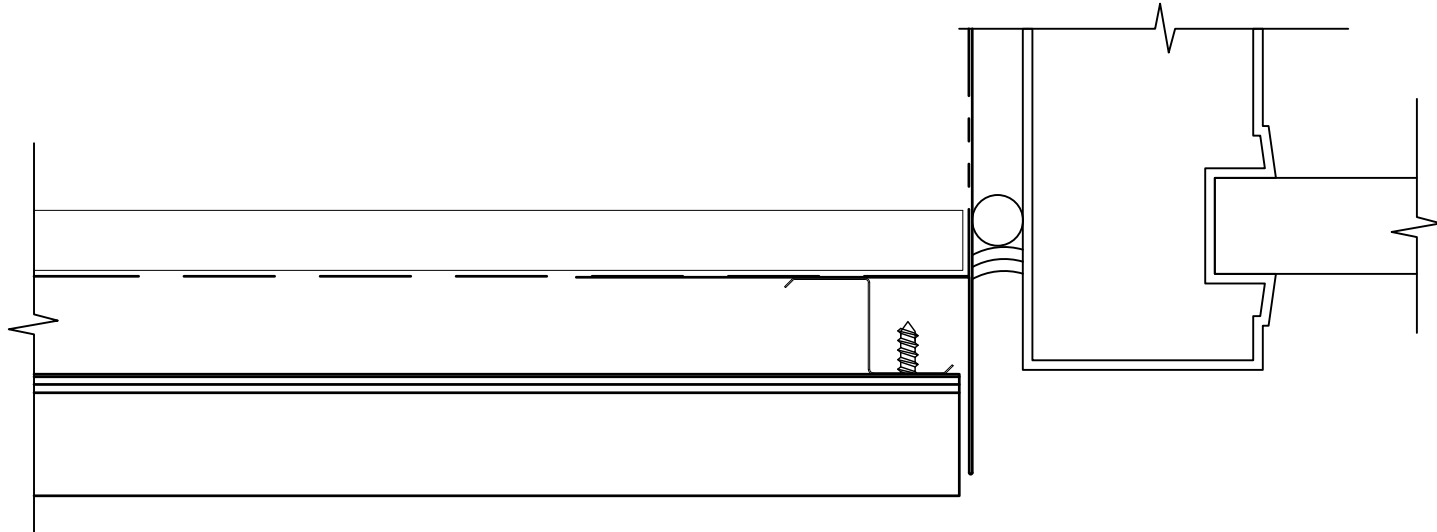


DSL.P.102.01 HORIZ.
DSL.C.102.01 HORIZ.

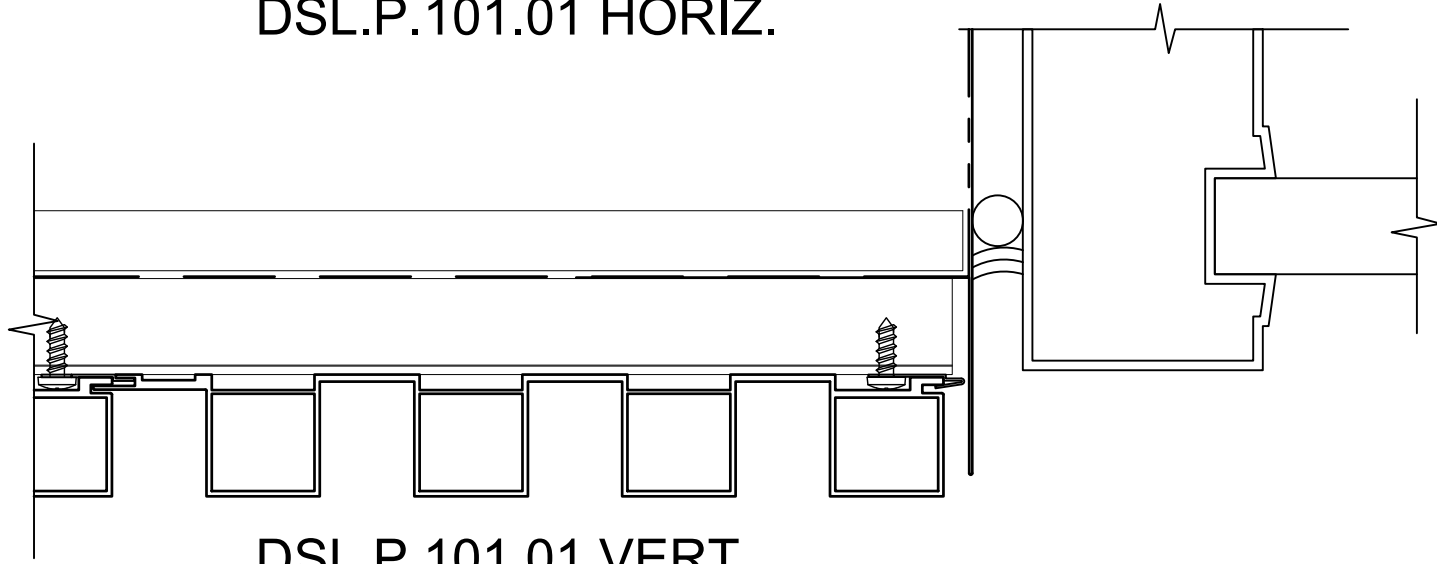


DSL.P.102.01 VERT.
DSL.C.102.01 VERT.


SITE: XXX	XX DRAWING NO.		XX PROJECT NO.	MM,DD,YY DATE.	 133 Romina Dr, Concord, ON L4K 4Z9 Phone: 1(888)308-8898 email: info@nortwood.com www.nortwood.com
	TITLE: DETAIL 4	1:2 SCALE AT A4.	AD DRAWN.	XX CHECKED.	

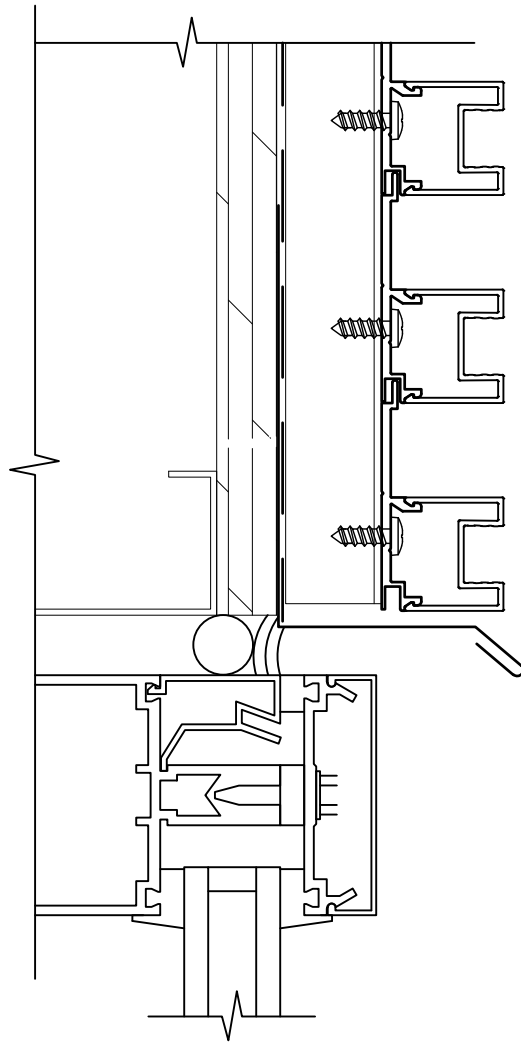


DSL.P.101.01 HORIZ.

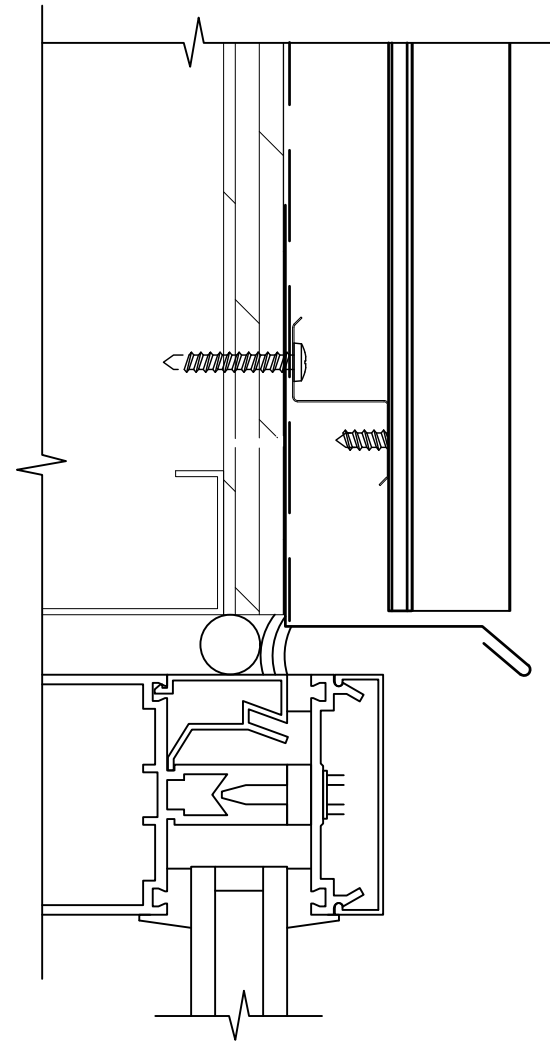


DSL.P.101.01 VERT.

SITE: XXX	XX DRAWING NO.		XX PROJECT NO.	MM,DD,YY DATE.	 133 Romina Dr, Concord, ON L4K 4Z9 Phone: 1(888)308-8898 email: info@nortwood.com www.nortwood.com
	TITLE: DETAIL 4	1:2 SCALE AT A4.	AD DRAWN.	XX CHECKED.	

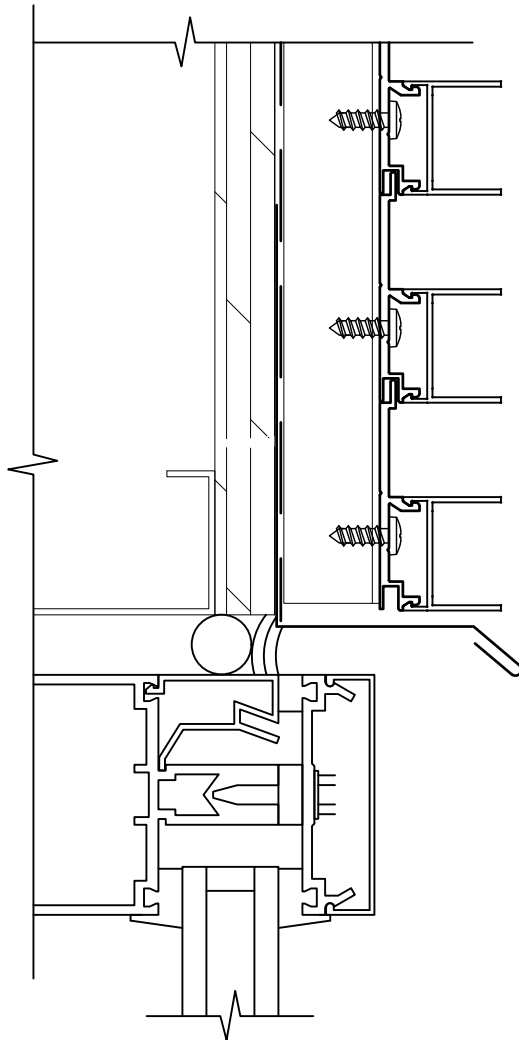


DSL.P.102.01 HORIZ.
DSL.C.105.01 HORIZ.

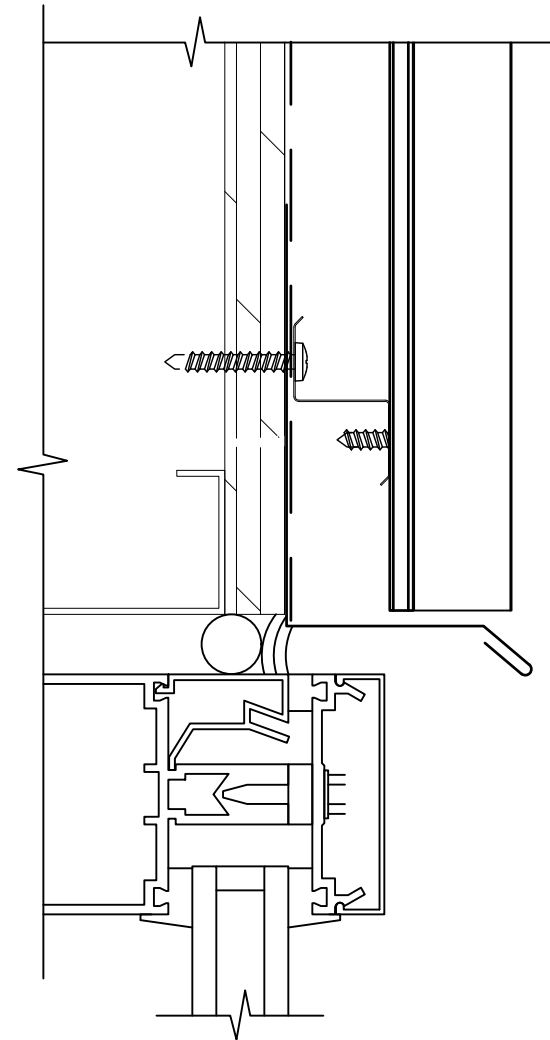


DSL.P.102.01 VERT.
DSL.C.105.01 VERT.


SITE: XXX	XX DRAWING NO.		XX PROJECT NO.	MM,DD,YY DATE.	
TITLE: DETAIL 5	1:2 SCALE AT A4.	AD DRAWN.	XX CHECKED.	00 REVISION.	

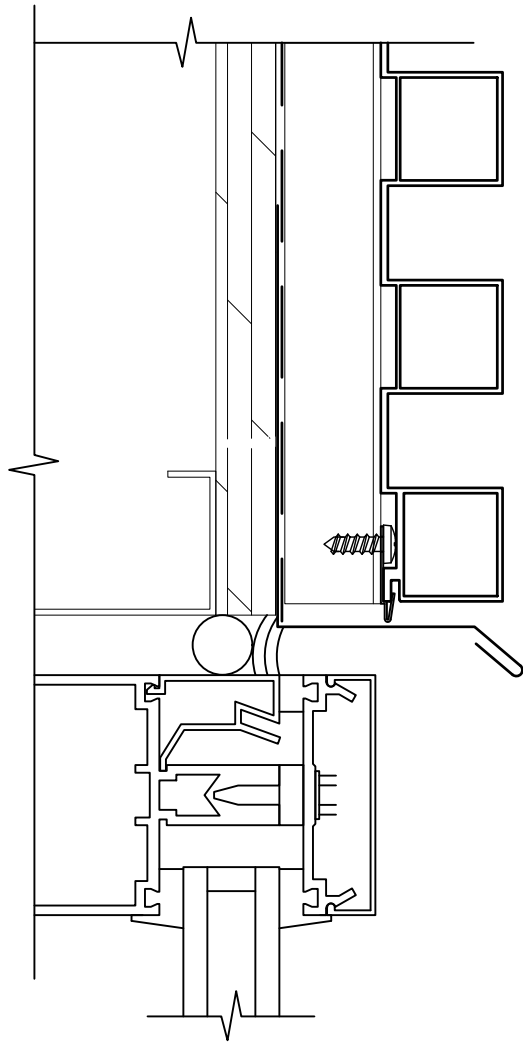


DSL.P.102.01 HORIZ.
DSL.C.102.01 HORIZ.

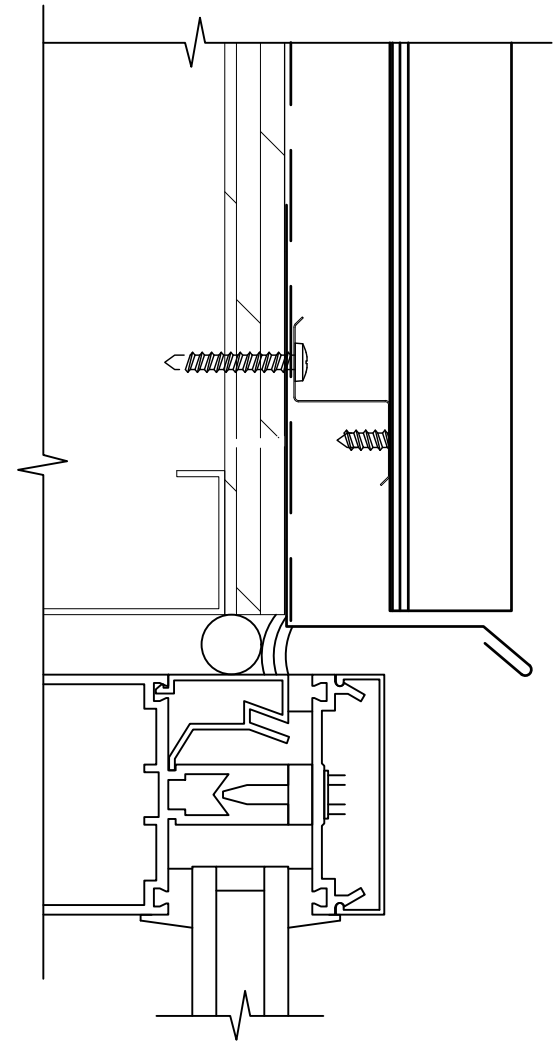


DSL.P.102.01 VERT.
DSL.C.102.01 VERT.


SITE: XXX	XX DRAWING NO.		XX PROJECT NO.	MM,DD,YY DATE.	 133 Romina Dr, Concord, ON L4K 4Z9 Phone: 1(888)308-8898 email: info@nortwood.com www.nortwood.com
TITLE: DETAIL 5	1:2 SCALE AT A4.	AD DRAWN.	XX CHECKED.	00 REVISION.	

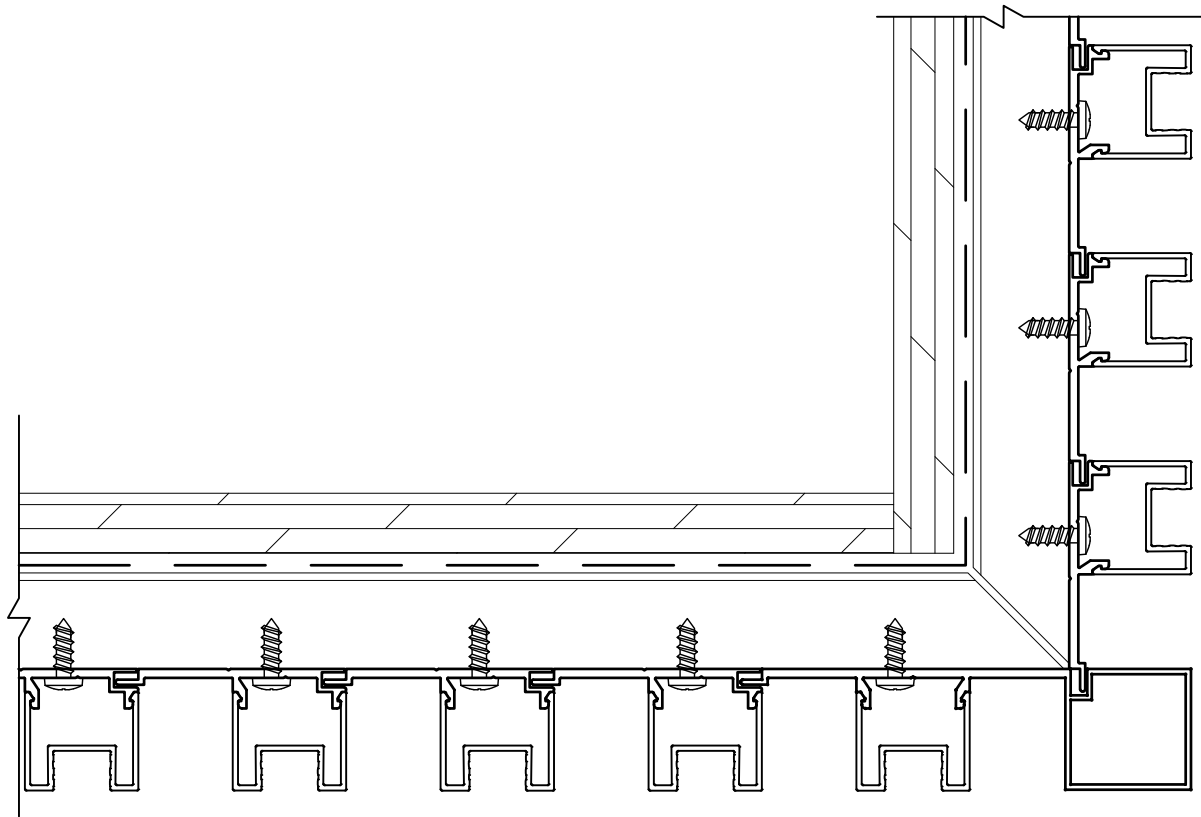


DSL.P.101.01 HORIZ.




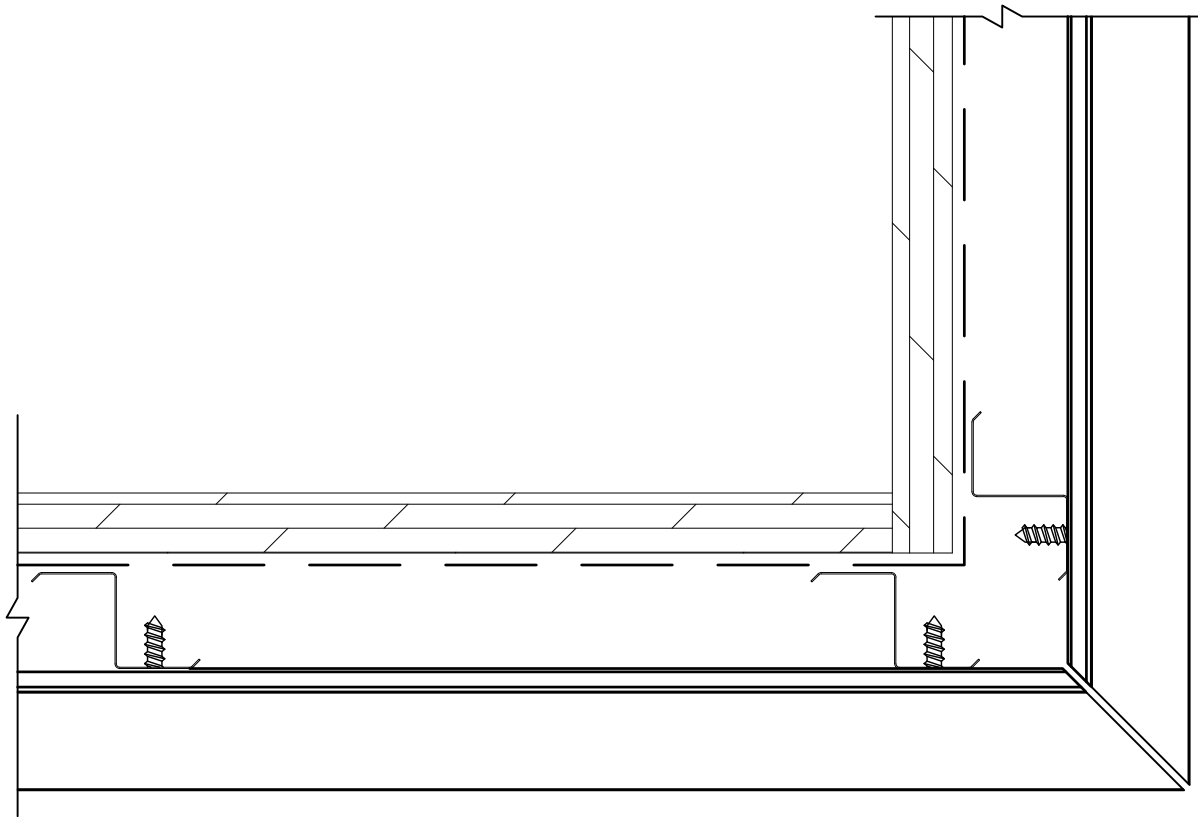
DSL.P.101.01 VERT.

SITE: XXX	XX DRAWING NO.		XX PROJECT NO.	MM,DD,YY DATE.	 <p>133 Romina Dr, Concord, ON L4K 4Z9 Phone: 1(888)308-8898 email: info@nortwood.com www.nortwood.com</p>
TITLE: DETAIL 5	1:2 SCALE AT A4.	AD DRAWN.	XX CHECKED.	00 REVISION.	




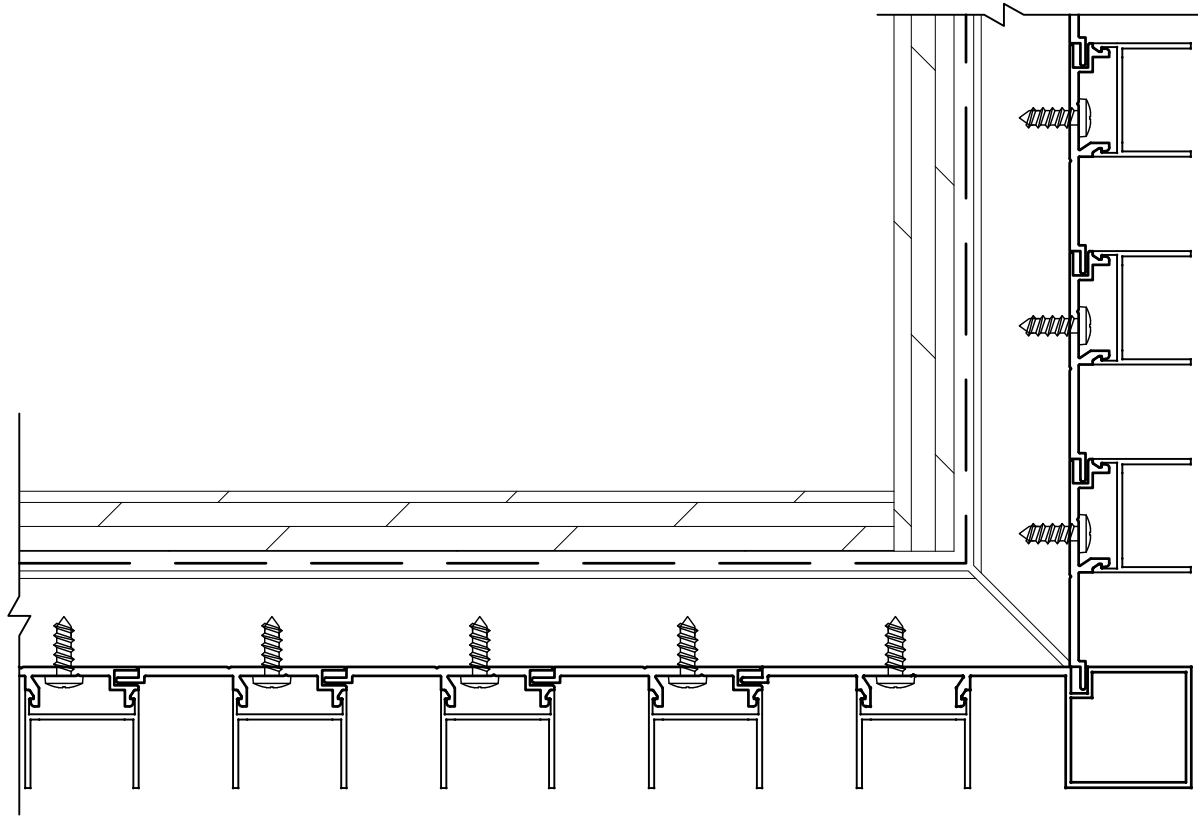
DSL.P.102.01 VERT.
 DSL.P.103.01 VERT.
 DSL.C.105.01 VERT.

SITE: XXX	XX DRAWING NO.		XX PROJECT NO.	MM,DD,YY DATE.	 133 Romina Dr, Concord, ON L4K 4Z9 Phone: 1(888)308-8898 email: info@nortwood.com www.nortwood.com
TITLE: DETAIL 6	1:2 SCALE AT A4.	AD DRAWN.	XX CHECKED.	00 REVISION.	




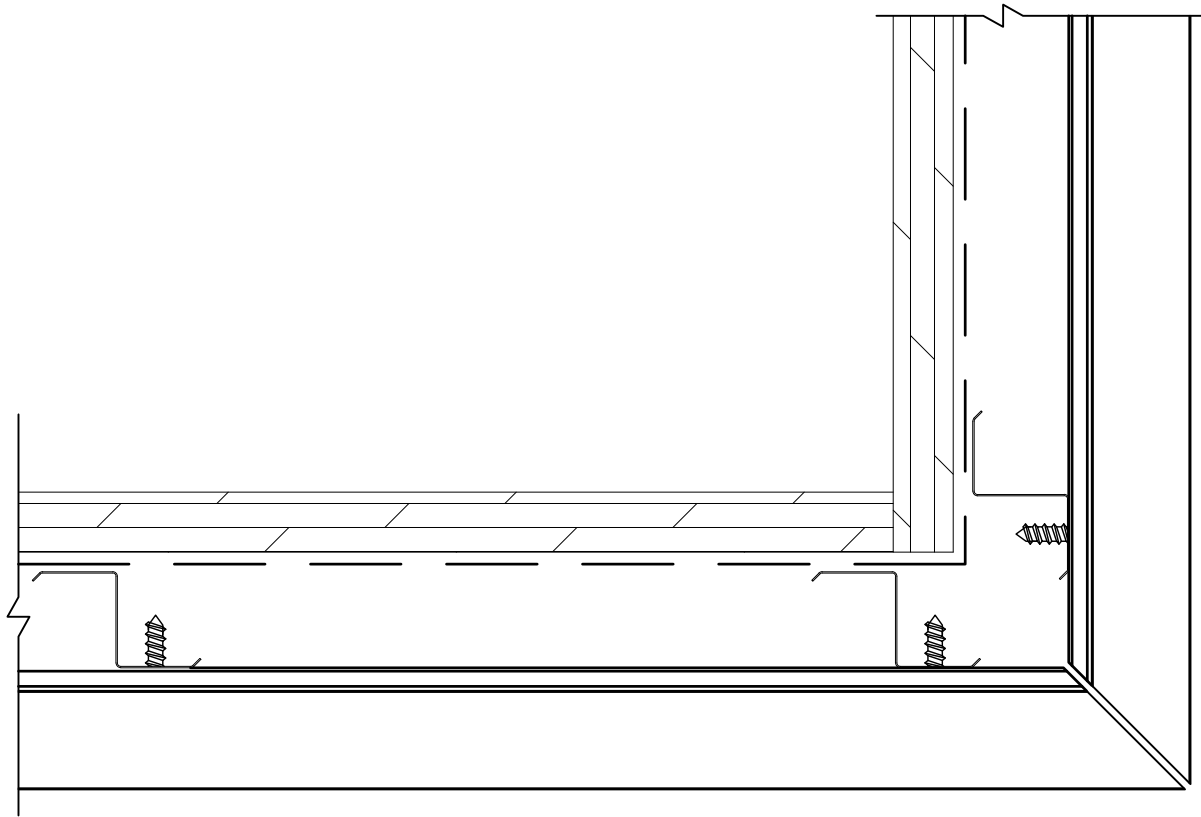
DSL.P.102.01 HORIZ.
 DSL.C.105.01 HORIZ.

SITE: XXX	XX DRAWING NO.		XX PROJECT NO.	MM,DD,YY DATE.	 133 Romina Dr, Concord, ON L4K 4Z9 Phone: 1(888)308-8898 email: info@nortwood.com www.nortwood.com
TITLE: DETAIL 6	1:2 SCALE AT A4.	AD DRAWN.	XX CHECKED.	00 REVISION.	




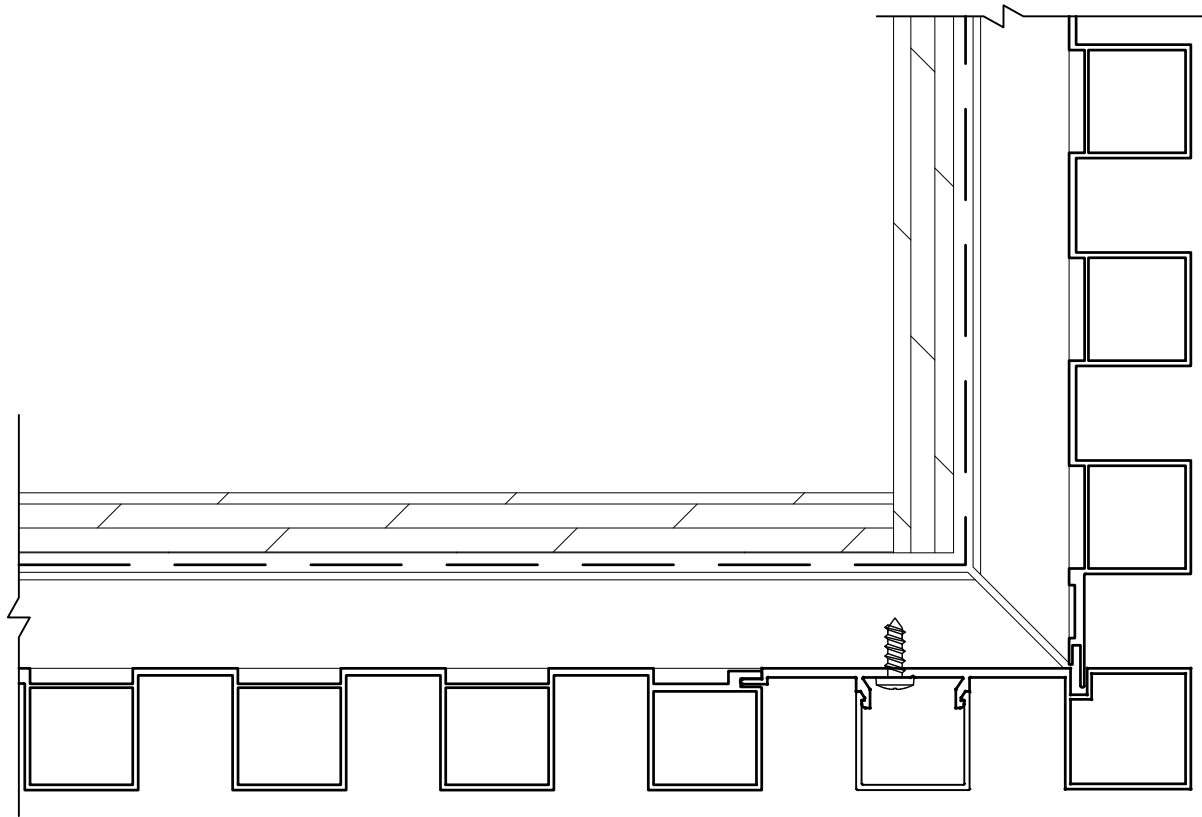
DSL.P.102.01 VERT.
 DSL.P.103.01 VERT.
 DSL.C.102.01 VERT.

SITE: XXX	XX DRAWING NO.		XX PROJECT NO.	MM,DD,YY DATE.	 133 Romina Dr, Concord, ON L4K 4Z9 Phone: 1(888)308-8898 email: info@nortwood.com www.nortwood.com
TITLE: DETAIL 6	1:2 SCALE AT A4.	AD DRAWN.	XX CHECKED.	00 REVISION.	




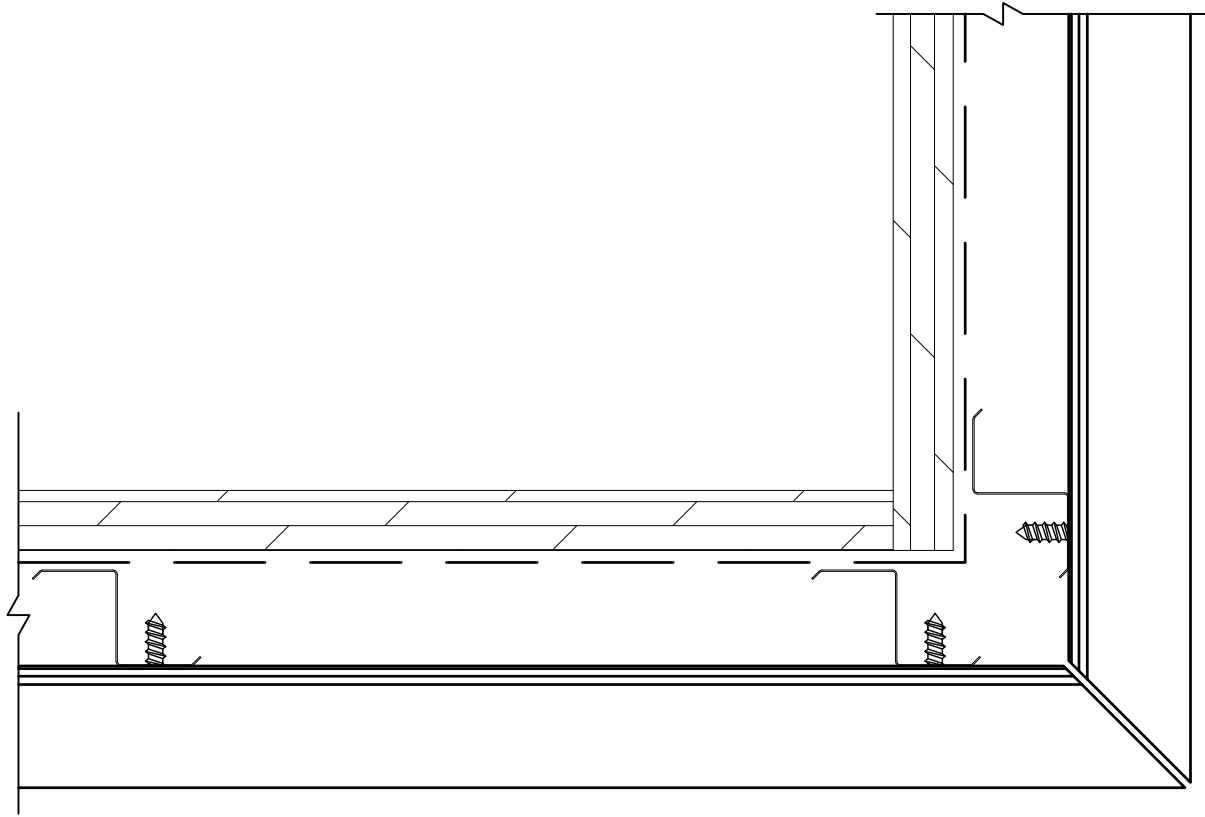
DSL.P.102.01 HORIZ.
DSL.C.102.01 HORIZ.

SITE: XXX	XX DRAWING NO.		XX PROJECT NO.	MM,DD,YY DATE.	 133 Romina Dr, Concord, ON L4K 4Z9 Phone: 1(888)308-8898 email: info@nortwood.com www.nortwood.com
TITLE: DETAIL 6	1:2 SCALE AT A4.	AD DRAWN.	XX CHECKED.	00 REVISION.	



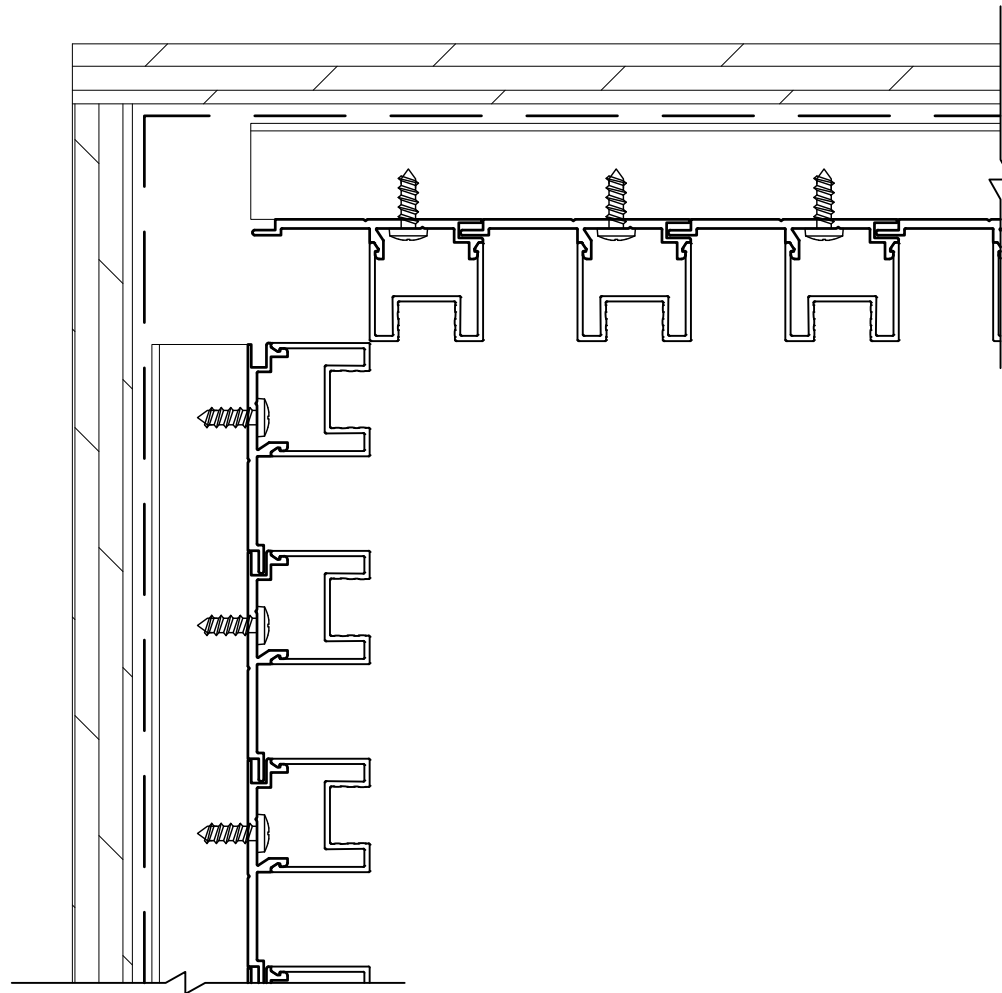
DSL.P.101.01 VERT.
 DSL.P.103.01 VERT.
 DSL.C.101.01 VERT.

SITE: XXX	XX DRAWING NO.	XX PROJECT NO.	MM,DD,YY DATE.	 133 Romina Dr, Concord, ON L4K 4Z9 Phone: 1(888)308-8898 email: info@nortwood.com www.nortwood.com
TITLE: DETAIL 6	1:2 SCALE AT A4.	AD DRAWN.	XX 00 CHECKED. REVISION.	




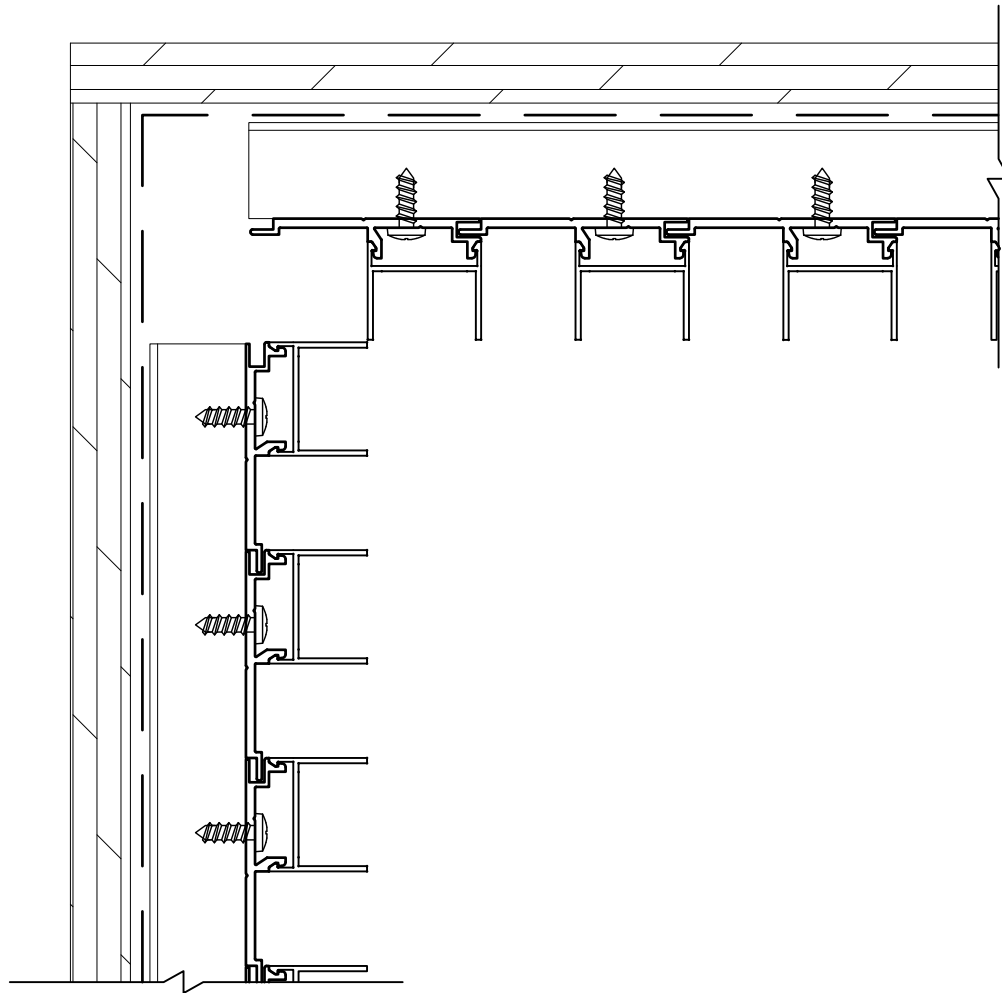
DSL.P.101.01 HORIZ.

SITE: XXX	XX DRAWING NO.		XX PROJECT NO.	MM,DD,YY DATE.	
TITLE: DETAIL 6	1:2 SCALE AT A4.	AD DRAWN.	XX CHECKED.	00 REVISION.	




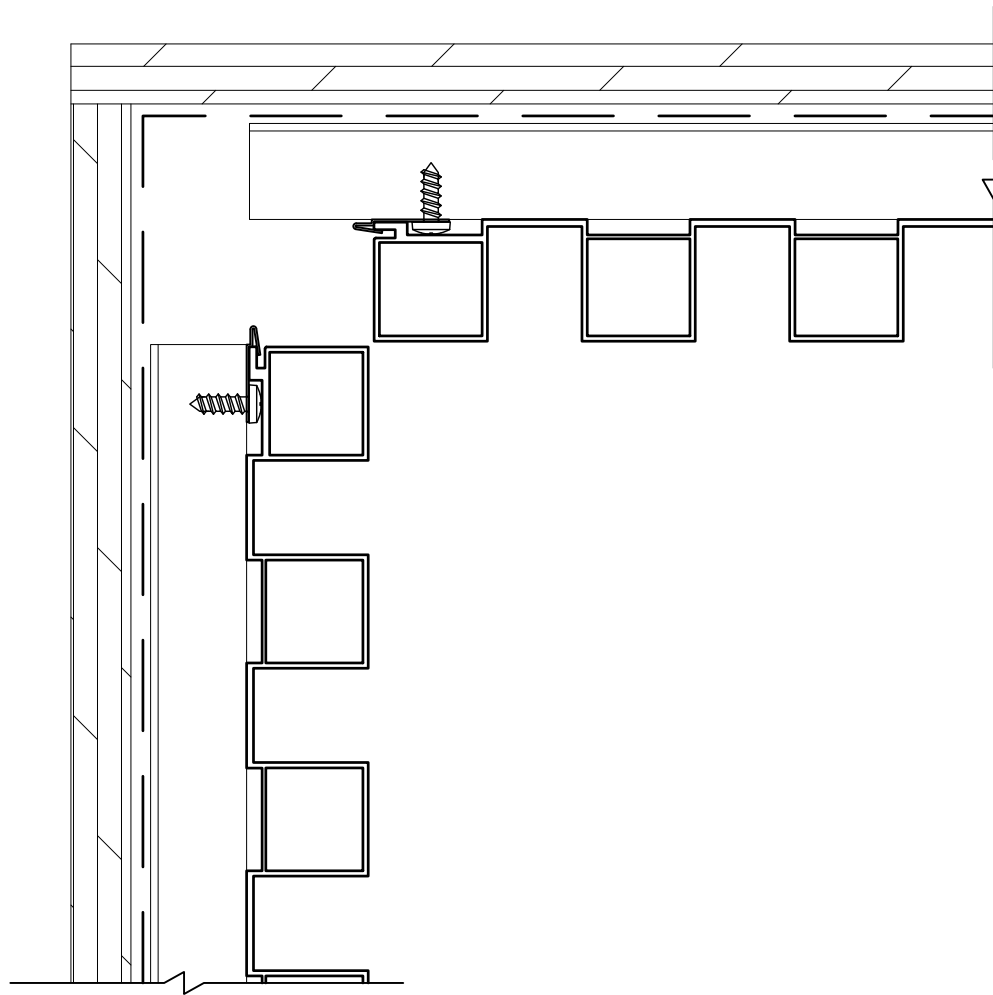
DSL.P.102.01 VERT.
DSL.C.105.01 VERT.

SITE: XXX	XX DRAWING NO.		XX PROJECT NO.	MM,DD,YY DATE.	 133 Romina Dr, Concord, ON L4K 4Z9 Phone: 1(888)308-8898 email: info@nortwood.com www.nortwood.com
TITLE: DETAIL 7	1:2 SCALE AT A4.	AD DRAWN.	XX CHECKED.	00 REVISION.	




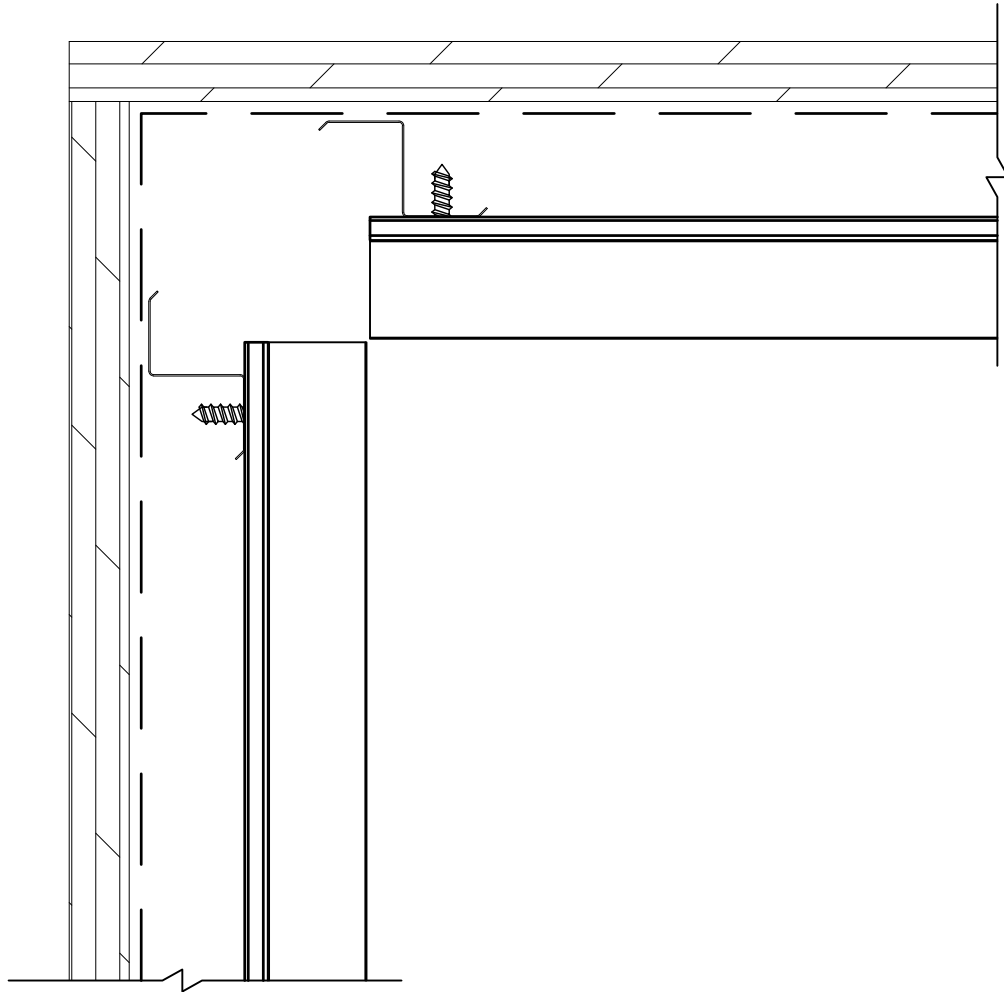
DSL.P.102.01 VERT.
DSL.C.102.01 VERT.

SITE: XXX	XX DRAWING NO.		XX PROJECT NO.	MM,DD,YY DATE.	 133 Romina Dr, Concord, ON L4K 4Z9 Phone: 1(888)308-8898 email: info@nortwood.com www.nortwood.com
TITLE: DETAIL 7	1:2 SCALE AT A4.	AD DRAWN.	XX CHECKED.	00 REVISION.	




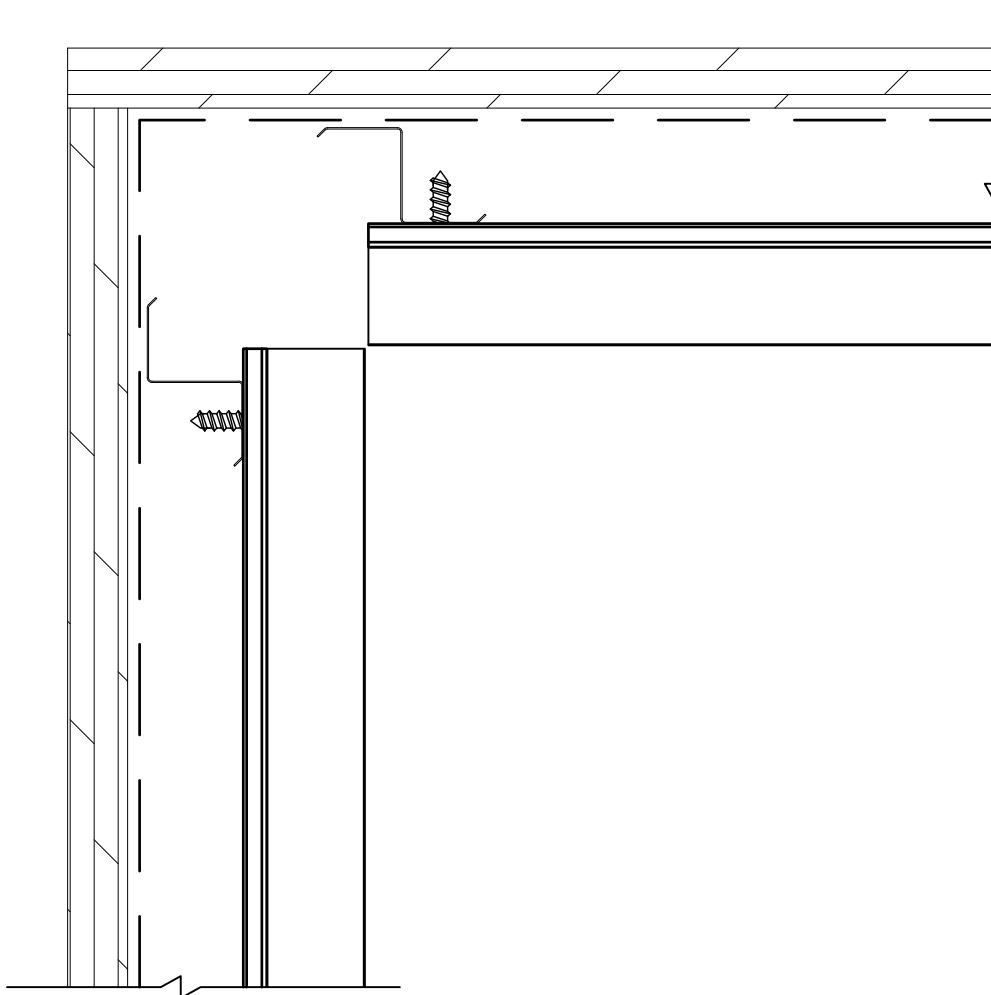
DSL.P.101.01 VERT.

SITE: XXX	XX DRAWING NO.		XX PROJECT NO.	MM,DD,YY DATE.	 133 Romina Dr, Concord, ON L4K 4Z9 Phone: 1(888)308-8898 email: info@nortwood.com www.nortwood.com
TITLE: DETAIL 7	1:2 SCALE AT A4.	AD DRAWN.	XX CHECKED.	00 REVISION.	




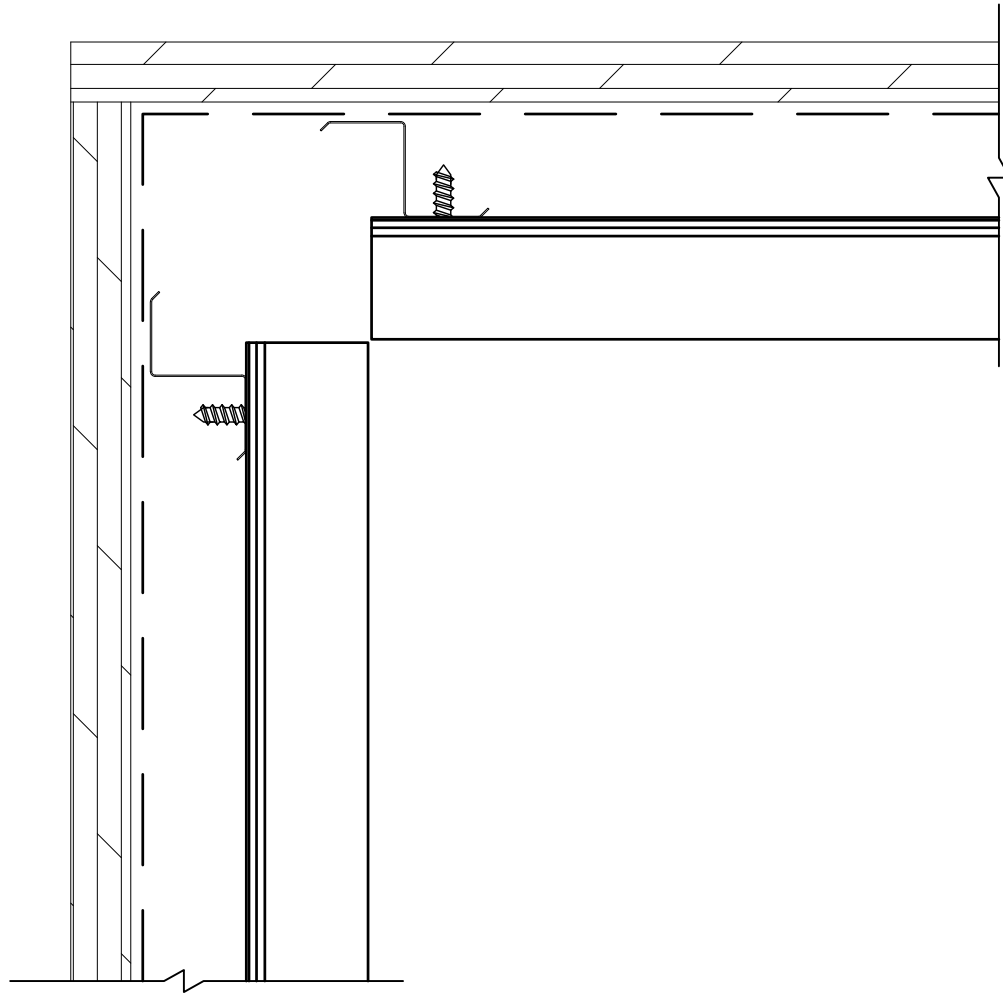
DSL.P.102.01 HORIZ.
DSL.C.105.01 HORIZ.

SITE: XXX	XX DRAWING NO.		XX PROJECT NO.	MM,DD,YY DATE.	 133 Romina Dr, Concord, ON L4K 4Z9 Phone: 1(888)308-8898 email: info@nortwood.com www.nortwood.com
TITLE: DETAIL 7	1:2 SCALE AT A4.	AD DRAWN.	XX CHECKED.	00 REVISION.	




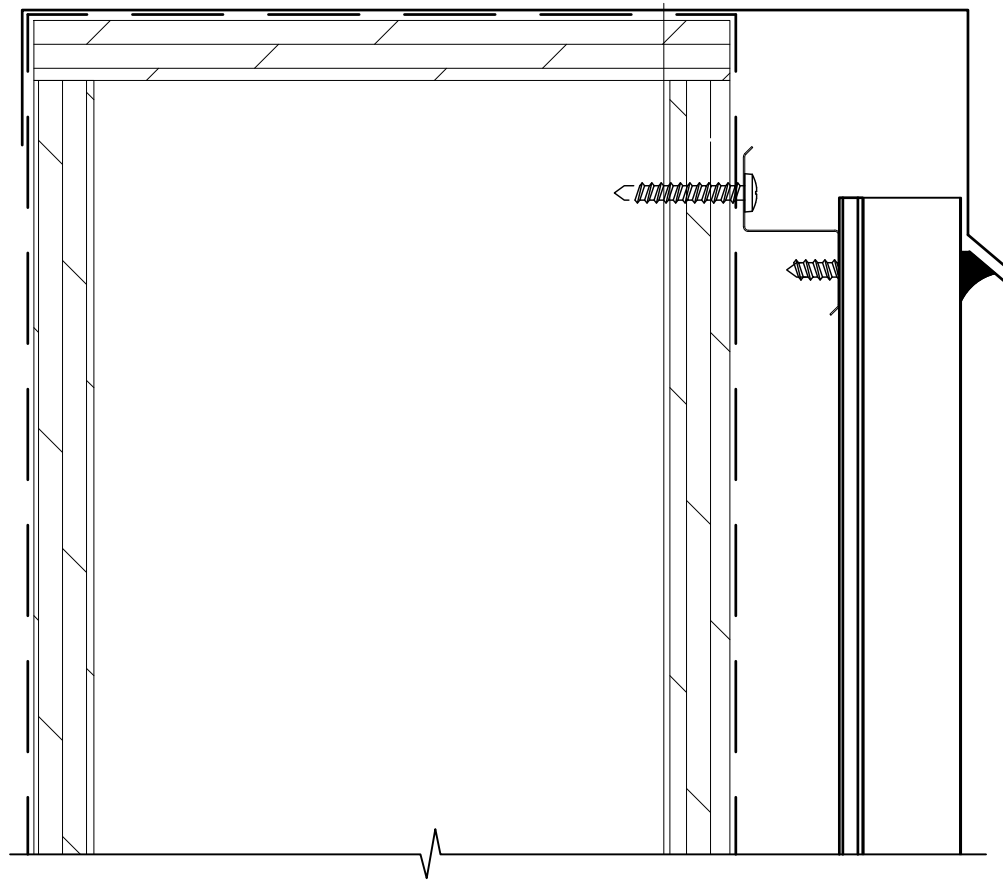
DSL.P.102.01 HORIZ.
DSL.C.102.01 HORIZ.

SITE: XXX	XX DRAWING NO.		XX PROJECT NO.	MM,DD,YY DATE.	 133 Romina Dr, Concord, ON L4K 4Z9 Phone: 1(888)308-8898 email: info@nortwood.com www.nortwood.com
TITLE: DETAIL 7	1:2 SCALE AT A4.	AD DRAWN.	XX CHECKED.	00 REVISION.	




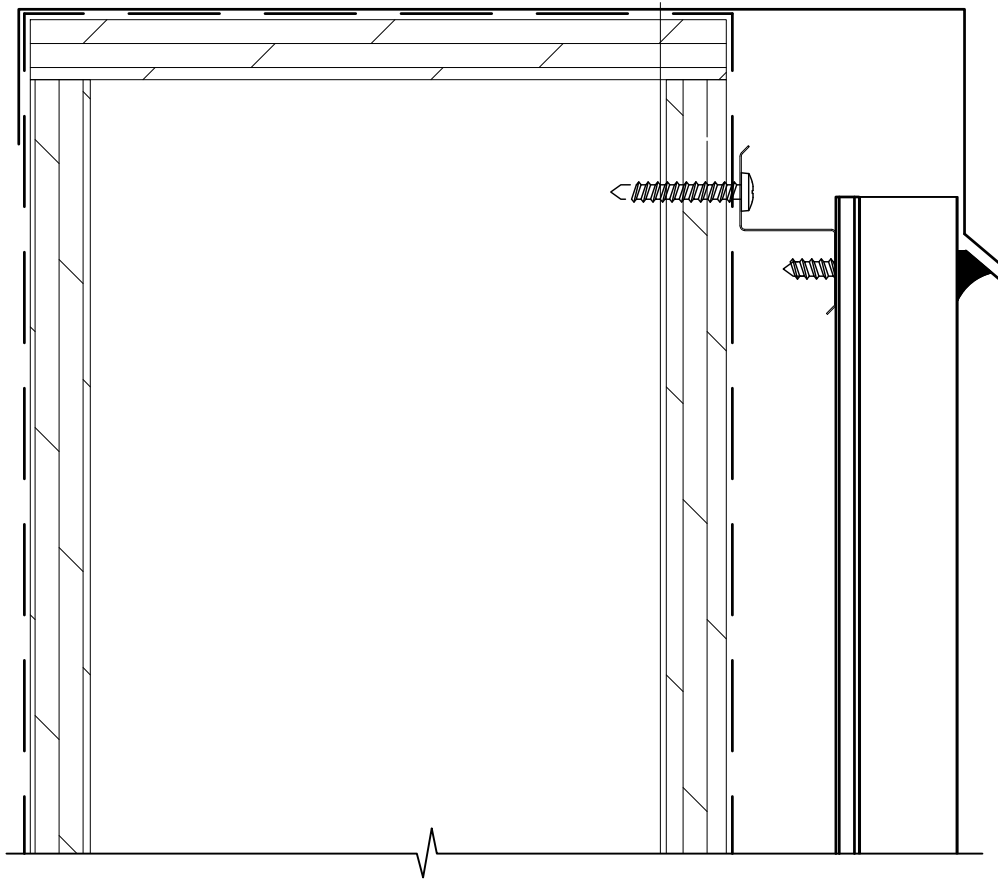
DSL.P.101.01 HORIZ.

SITE: XXX	XX DRAWING NO.		XX PROJECT NO.	MM,DD,YY DATE.	 133 Romina Dr, Concord, ON L4K 4Z9 Phone: 1(888)308-8898 email: info@nortwood.com www.nortwood.com
TITLE: DETAIL 7	1:2 SCALE AT A4.	AD DRAWN.	XX CHECKED.	00 REVISION.	



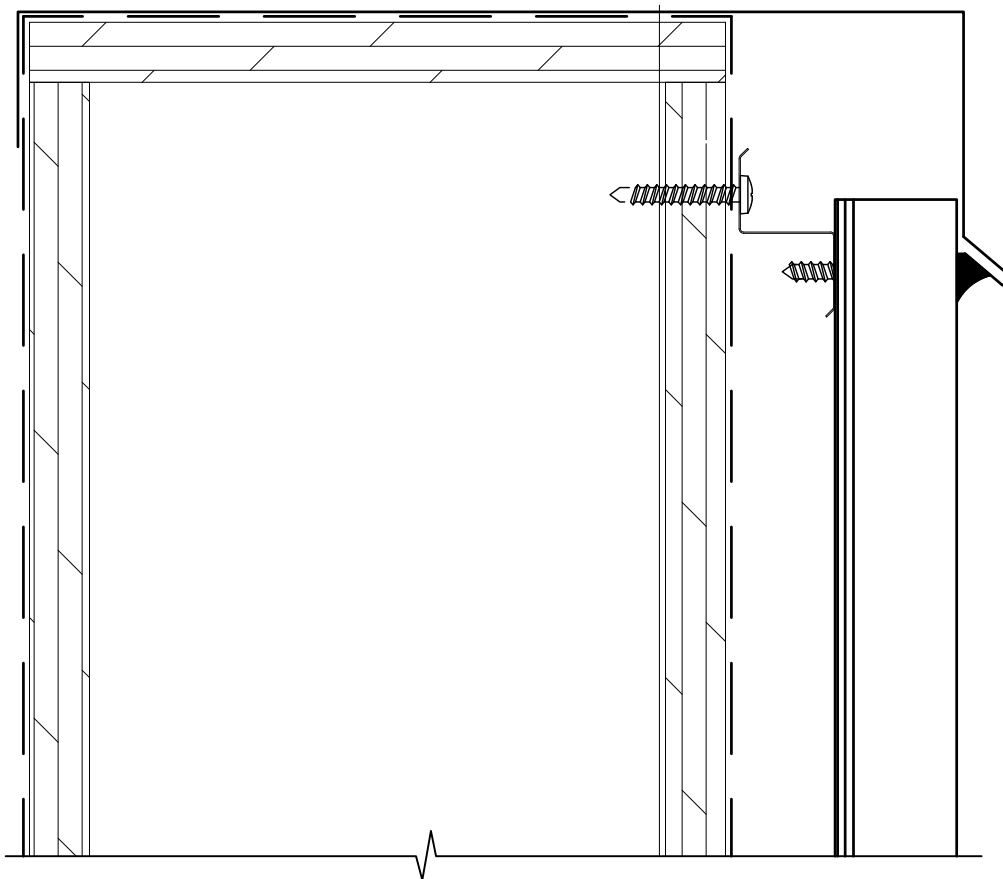
DSL.P.102.01 VERT.
DSL.C.105.01 VERT.

SITE: XXX	XX DRAWING NO.		XX PROJECT NO.	MM,DD,YY DATE.	 133 Romina Dr, Concord, ON L4K 4Z9 Phone: 1(888)308-8898 email: info@nortwood.com www.nortwood.com
TITLE: DETAIL 8	1:2 SCALE AT A4.	AD DRAWN.	XX CHECKED.	00 REVISION.	




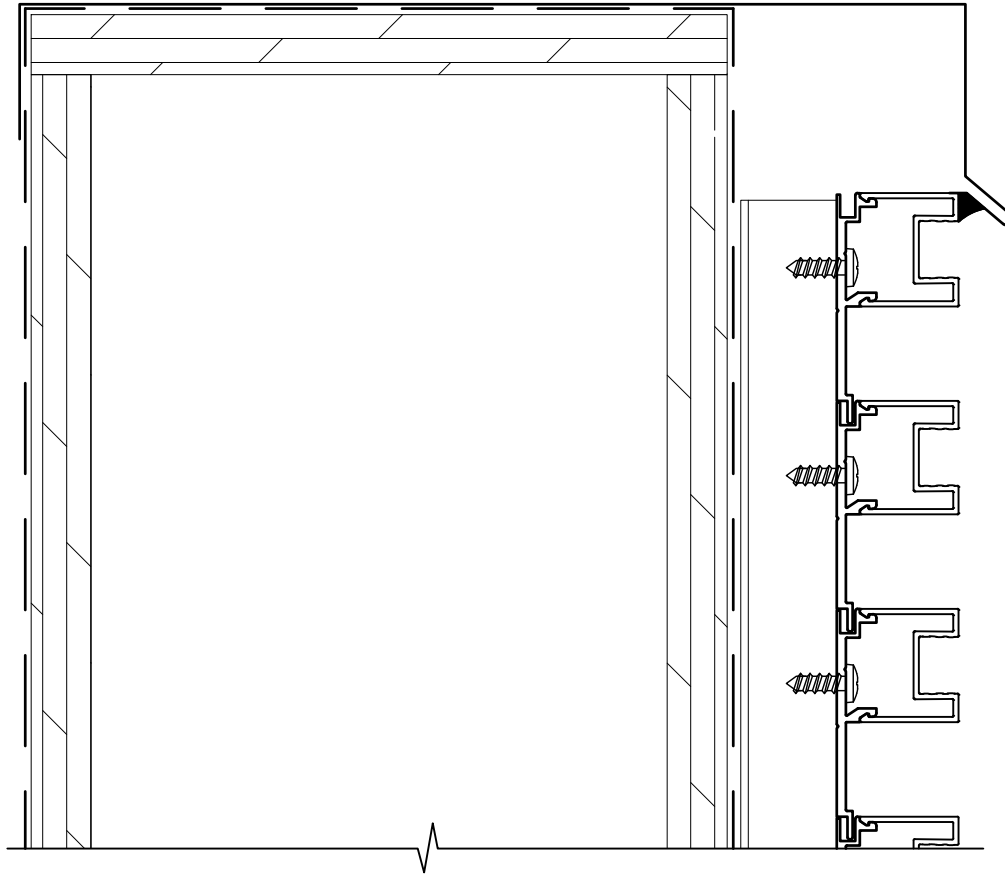
DSL.P.102.01 VERT.
DSL.C.102.01 VERT.

SITE: XXX	XX DRAWING NO.		XX PROJECT NO.	MM,DD,YY DATE.	
TITLE: DETAIL 8	1:2 SCALE AT A4.	AD DRAWN.	XX CHECKED.	00 REVISION.	




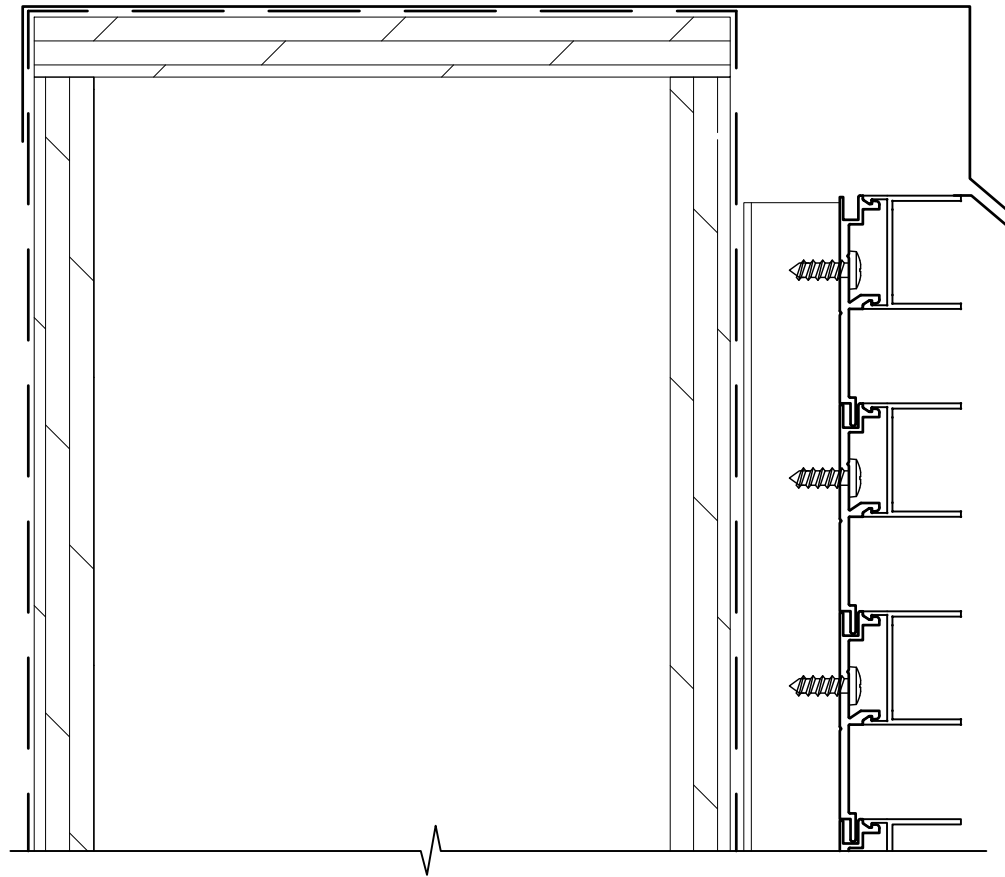
DSL.P.101.01 VERT.

SITE: XXX	XX DRAWING NO.		XX PROJECT NO.	MM,DD,YY DATE.	 133 Romina Dr, Concord, ON L4K 4Z9 Phone: 1(888)308-8898 email: info@nortwood.com www.nortwood.com
TITLE: DETAIL 8	1:2 SCALE AT A4.	AD DRAWN.	XX CHECKED.	00 REVISION.	




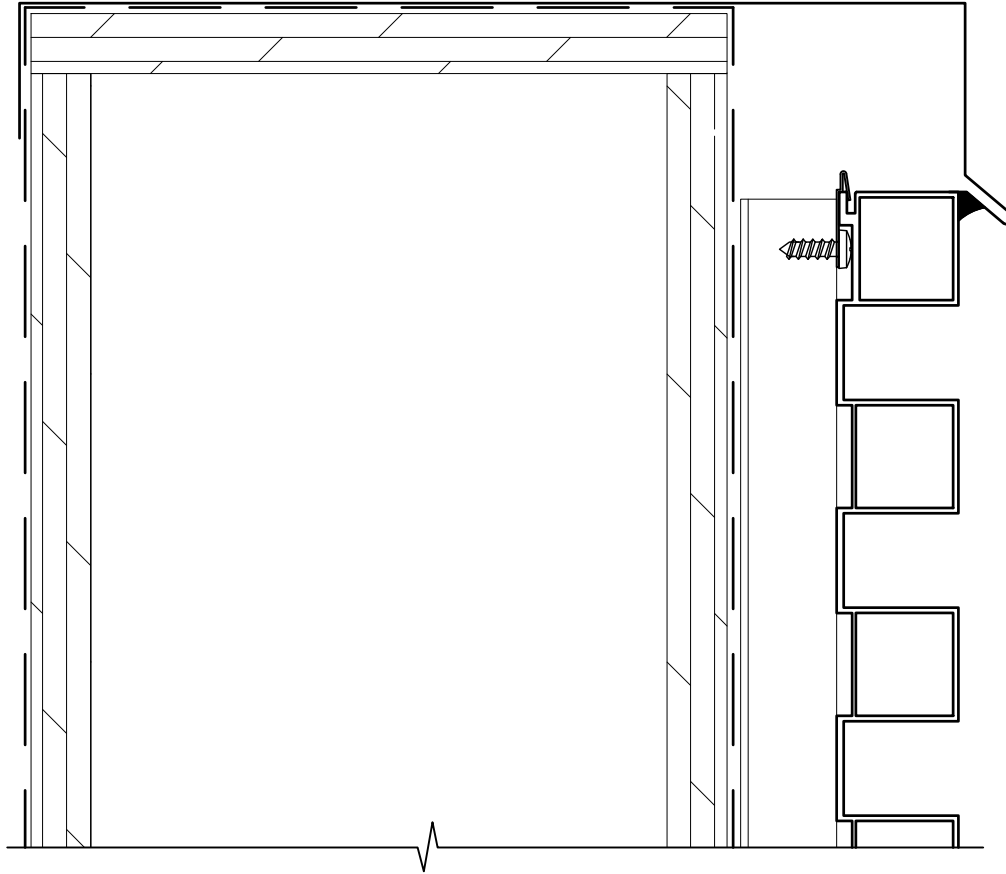
DSL.P.102.01 HORIZ.
 DSL.C.105.01 HORIZ.

SITE: XXX	XX DRAWING NO.		XX PROJECT NO.	MM,DD,YY DATE.	 133 Romina Dr, Concord, ON L4K 4Z9 Phone: 1(888)308-8898 email: info@nortwood.com www.nortwood.com
TITLE: DETAIL 8	1:2 SCALE AT A4.	AD DRAWN.	XX CHECKED.	00 REVISION.	




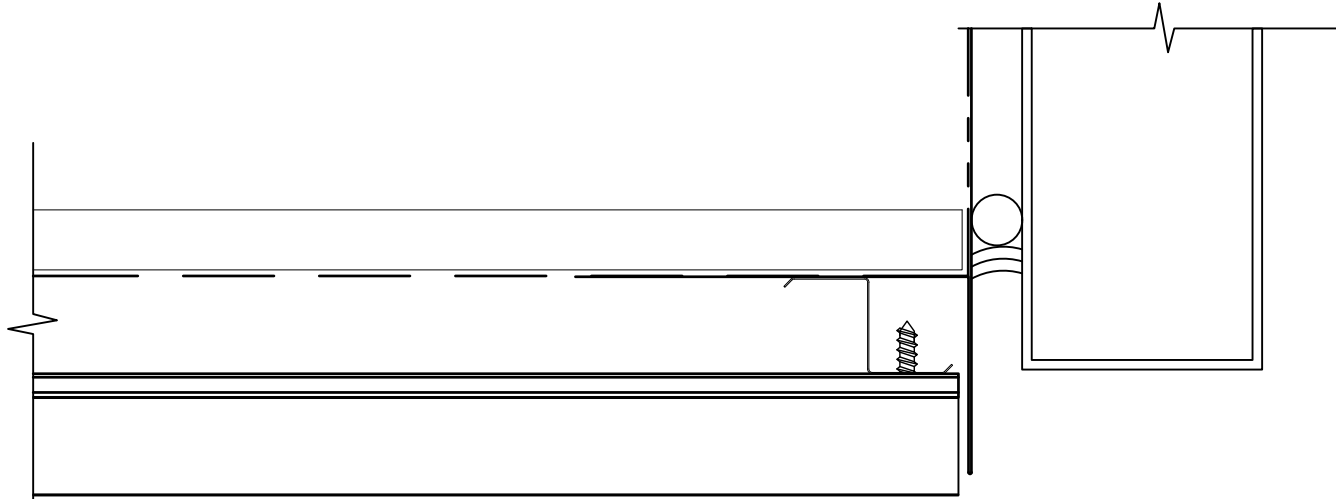
DSL.P.102.01 HORIZ.
 DSL.C.102.01 HORIZ.

SITE: XXX	XX DRAWING NO.		XX PROJECT NO.	MM,DD,YY DATE.	 133 Romina Dr, Concord, ON L4K 4Z9 Phone: 1(888)308-8898 email: info@nortwood.com www.nortwood.com
TITLE: DETAIL 8	1:2 SCALE AT A4.	AD DRAWN.	XX CHECKED.	00 REVISION.	

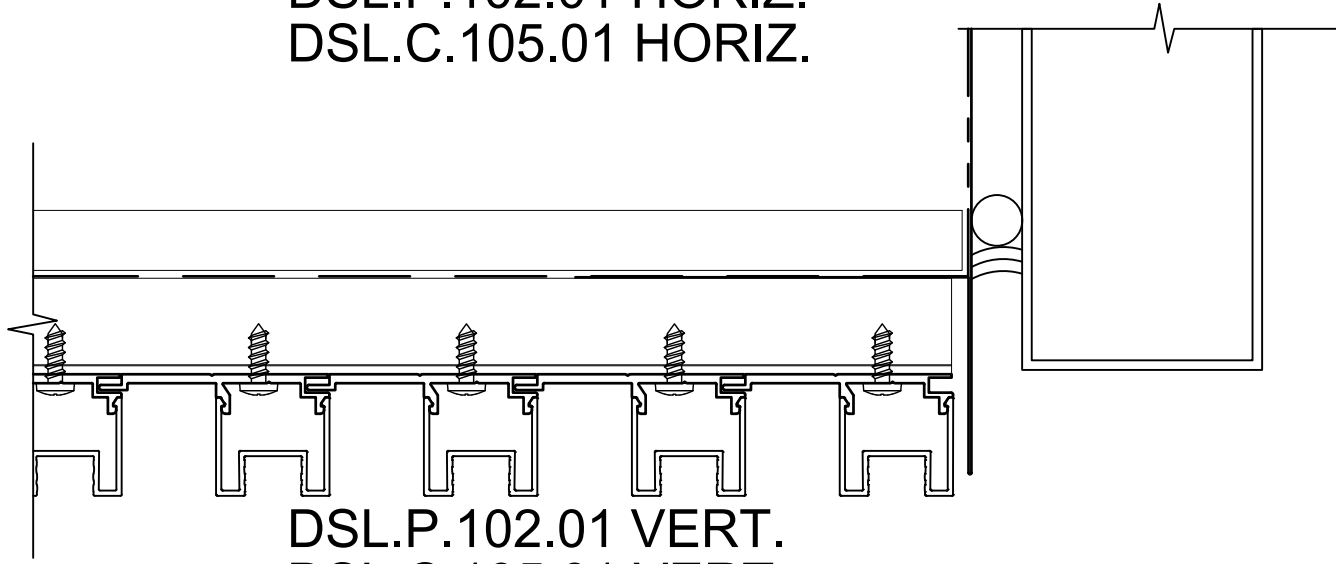


DSL.P.101.01 HORIZ.


SITE: XXX	XX DRAWING NO.		XX PROJECT NO.	MM,DD,YY DATE.	 133 Romina Dr, Concord, ON L4K 4Z9 Phone: 1(888)308-8898 email: info@nortwood.com www.nortwood.com
TITLE: DETAIL 8	1:2 SCALE AT A4.	AD DRAWN.	XX CHECKED.	00 REVISION.	

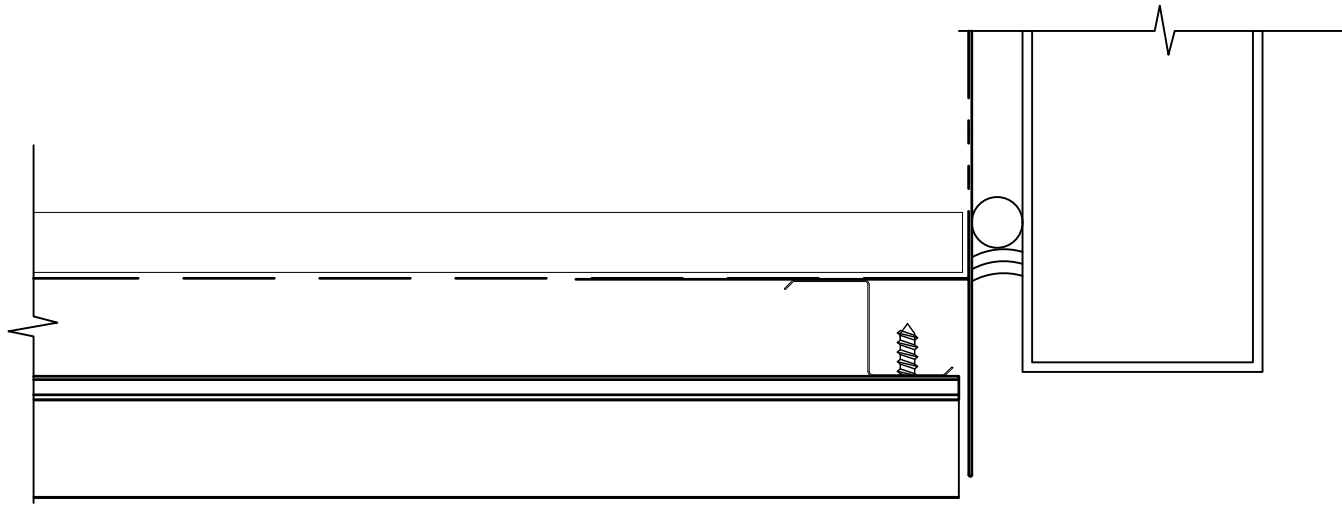


DSL.P.102.01 HORIZ.
DSL.C.105.01 HORIZ.

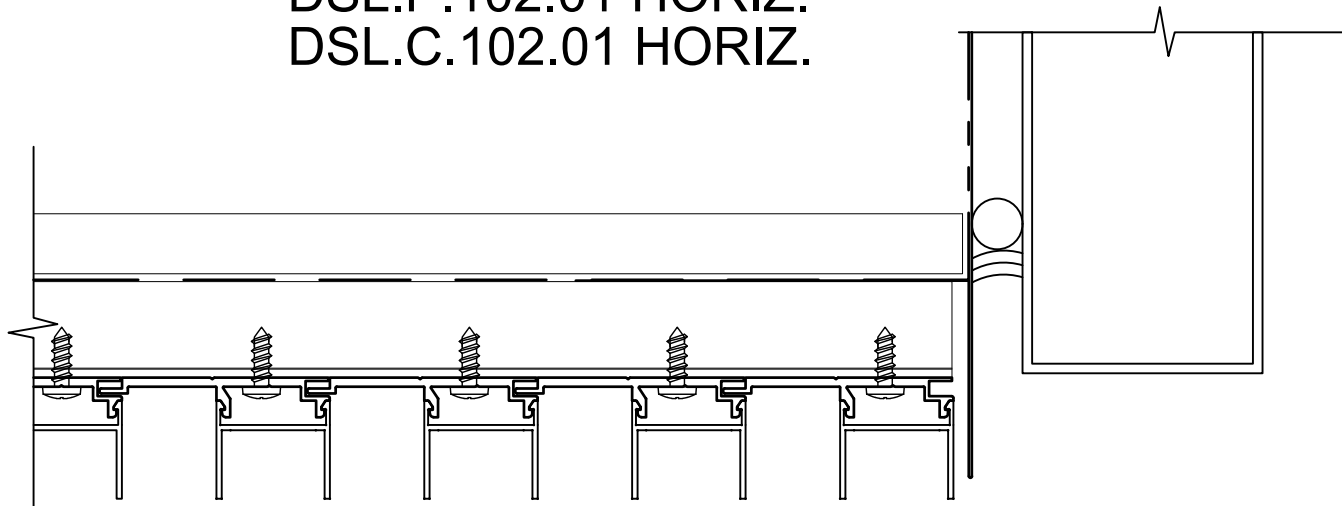


DSL.P.102.01 VERT.
DSL.C.105.01 VERT.


SITE: XXX	XX DRAWING NO.	XX PROJECT NO.	MM,DD,YY DATE.	 133 Romina Dr, Concord, ON L4K 4Z9 Phone: 1(888)308-8898 email: info@nortwood.com www.nortwood.com
TITLE: DETAIL 9	1:2 SCALE AT A4.	AD DRAWN.	XX CHECKED. 00 REVISION.	

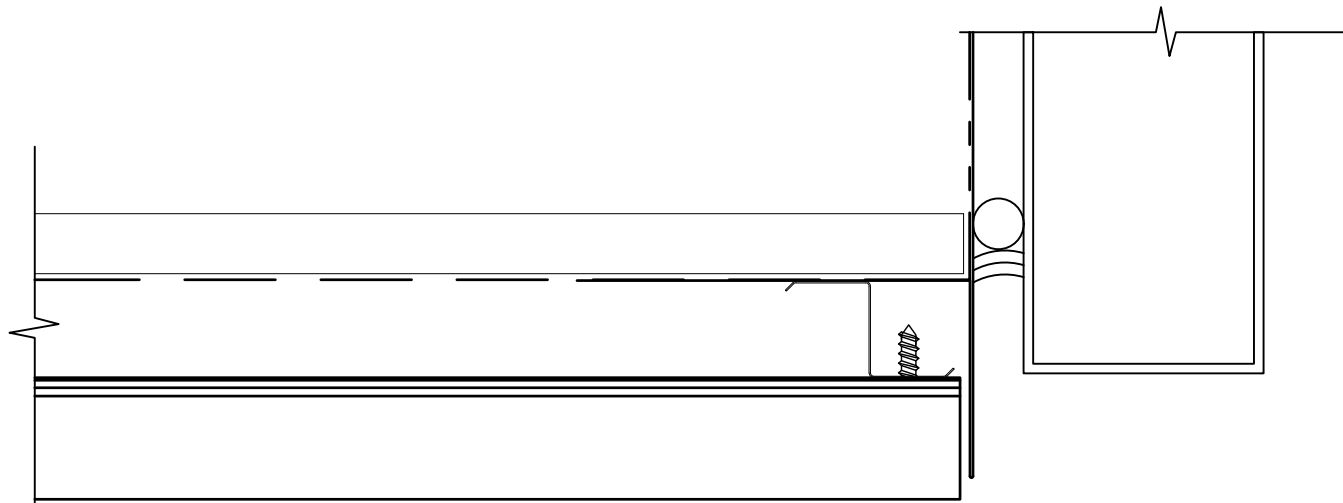


DSL.P.102.01 HORIZ.
DSL.C.102.01 HORIZ.

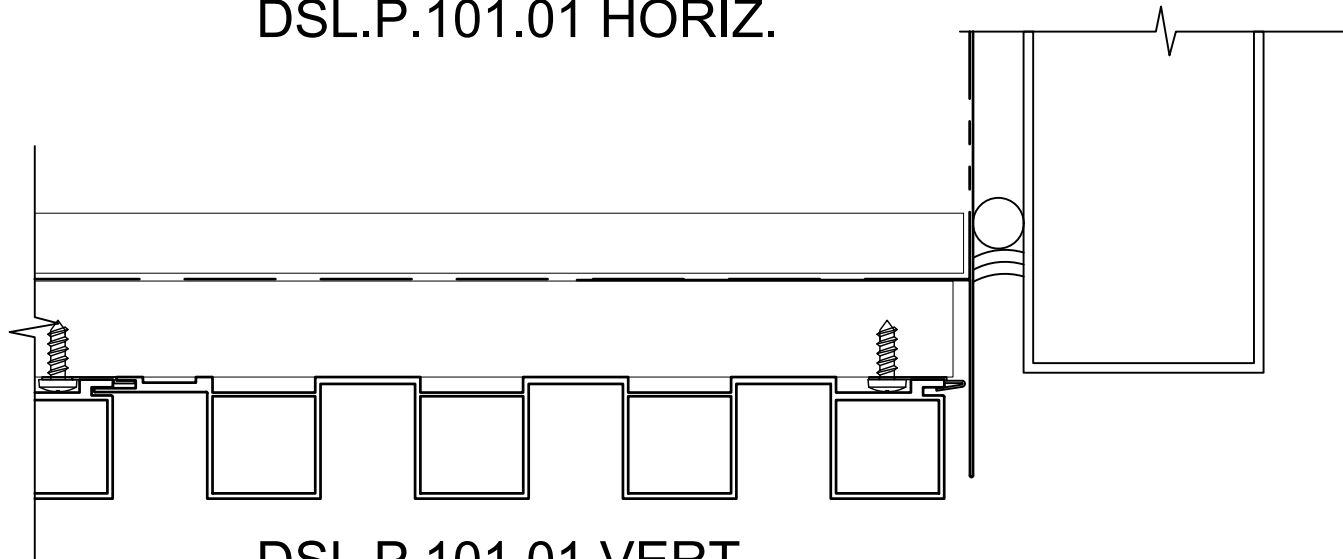


DSL.P.102.01 VERT.
DSL.C.102.01 VERT.


SITE: XXX	XX DRAWING NO.	XX PROJECT NO.	MM,DD,YY DATE.	 <p>133 Romina Dr, Concord, ON L4K 4Z9 Phone: 1(888)308-8898 email: info@nortwood.com www.nortwood.com</p>
TITLE: DETAIL 9	1:2 SCALE AT A4.	AD DRAWN.	XX CHECKED.	

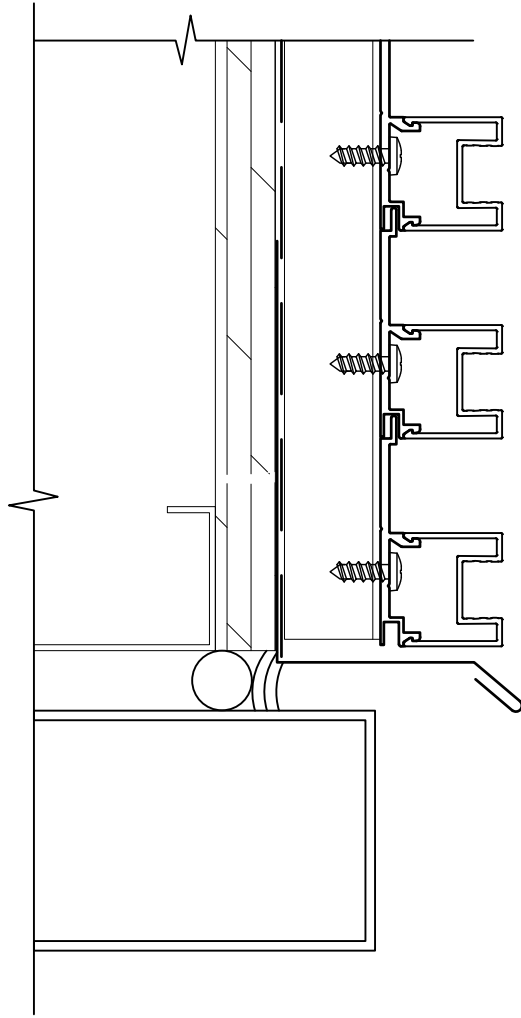


DSL.P.101.01 HORIZ.

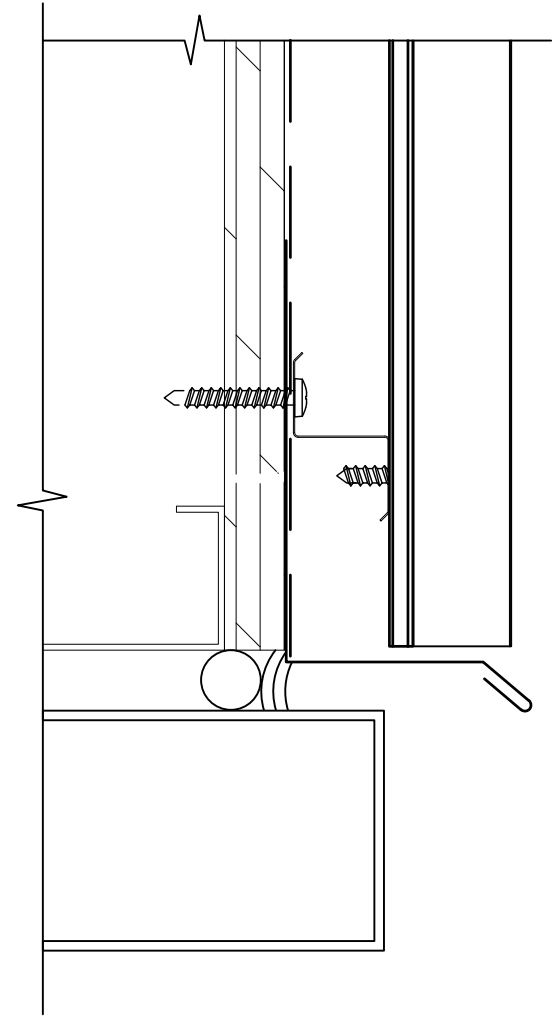


DSL.P.101.01 VERT.


SITE: XXX	XX DRAWING NO.		XX PROJECT NO.	MM,DD,YY DATE.	
TITLE: DETAIL 9	1:2 SCALE AT A4.	AD DRAWN.	XX CHECKED.	00 REVISION.	

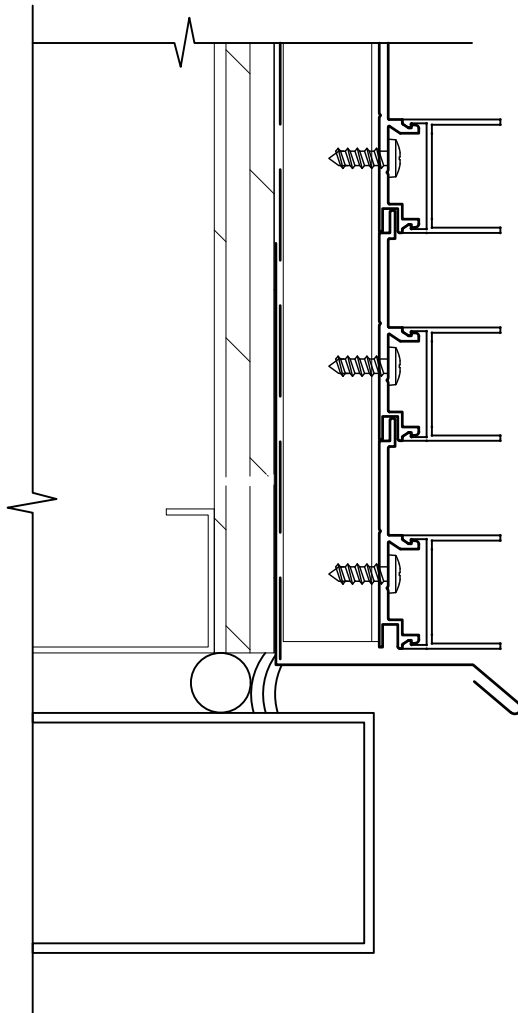


DSL.P.102.01 HORIZ.
DSL.C.105.01 HORIZ.

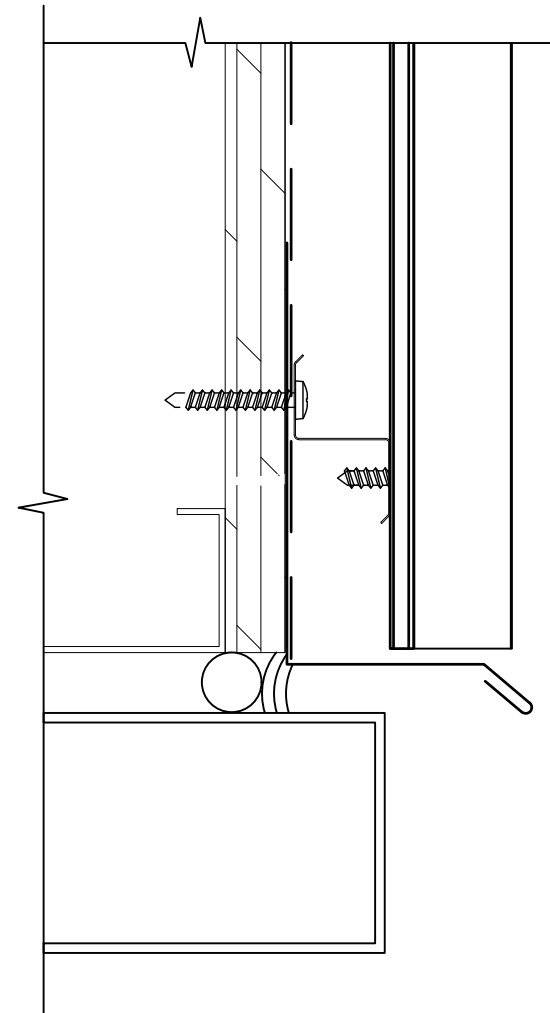


DSL.P.102.01 VERT.
DSL.C.105.01 VERT.

SITE: XXX	XX DRAWING NO.		XX PROJECT NO.	MM,DD,YY DATE.	 133 Romina Dr, Concord, ON L4K 4Z9 Phone: 1(888)308-8898 email: info@nortwood.com www.nortwood.com
	TITLE: DETAIL 10	1:2 SCALE AT A4.	AD DRAWN.	XX CHECKED.	

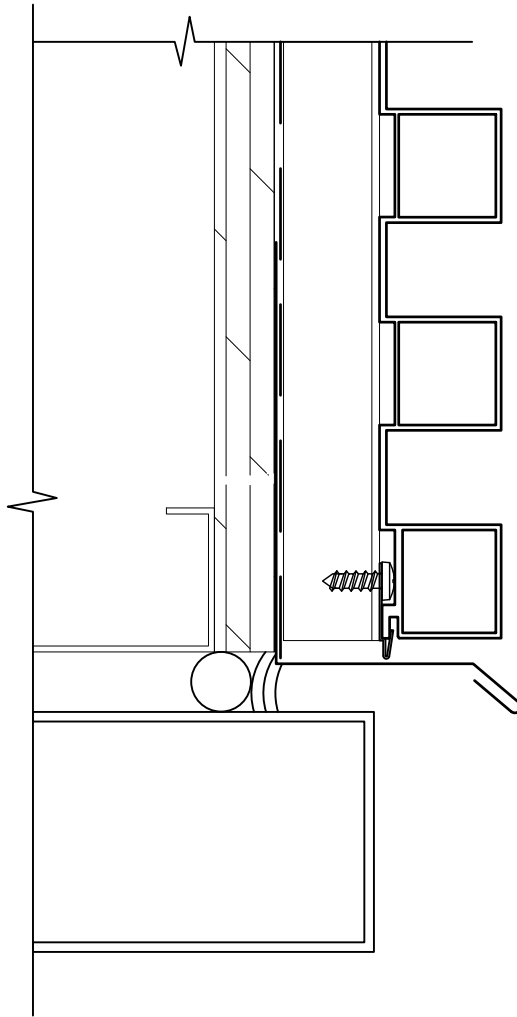


DSL.P.102.01 HORIZ.
DSL.C.102.01 HORIZ.

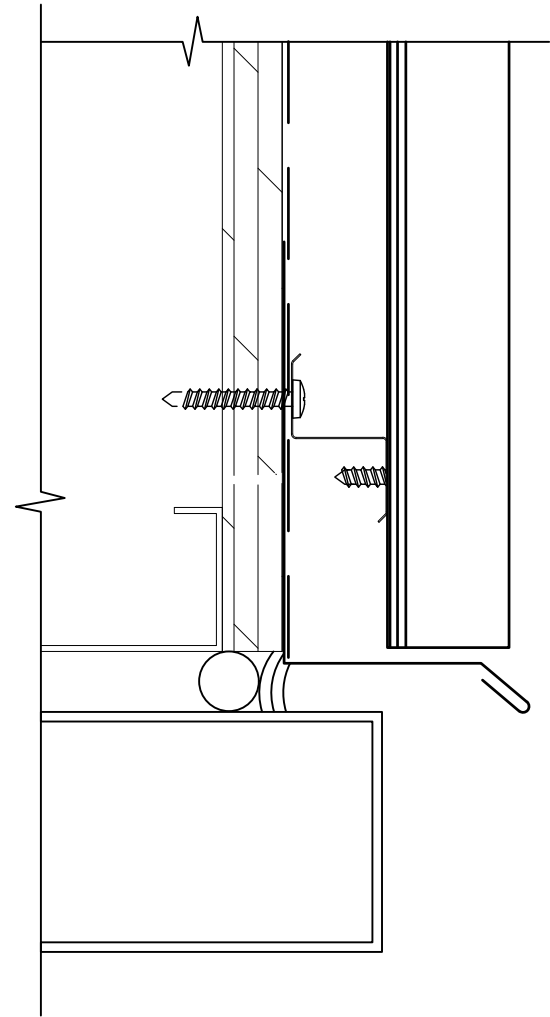


DSL.P.102.01 VERT.
DSL.C.102.01 VERT.


SITE: XXX	XX DRAWING NO.		XX PROJECT NO.	MM,DD,YY DATE.	
TITLE: DETAIL 10	1:2 SCALE AT A4.	AD DRAWN.	XX CHECKED.	00 REVISION.	



DSL.P.101.01 HORIZ.



DSL.P.101.01 VERT.

SITE: XXX	XX DRAWING NO.		XX PROJECT NO.	MM,DD,YY DATE.	 <p>133 Romina Dr, Concord, ON L4K 4Z9 Phone: 1(888)308-8898 email: info@nortwood.com www.nortwood.com</p>
TITLE: DETAIL 10	1:2 SCALE AT A4.	AD DRAWN.	XX CHECKED.	00 REVISION.	