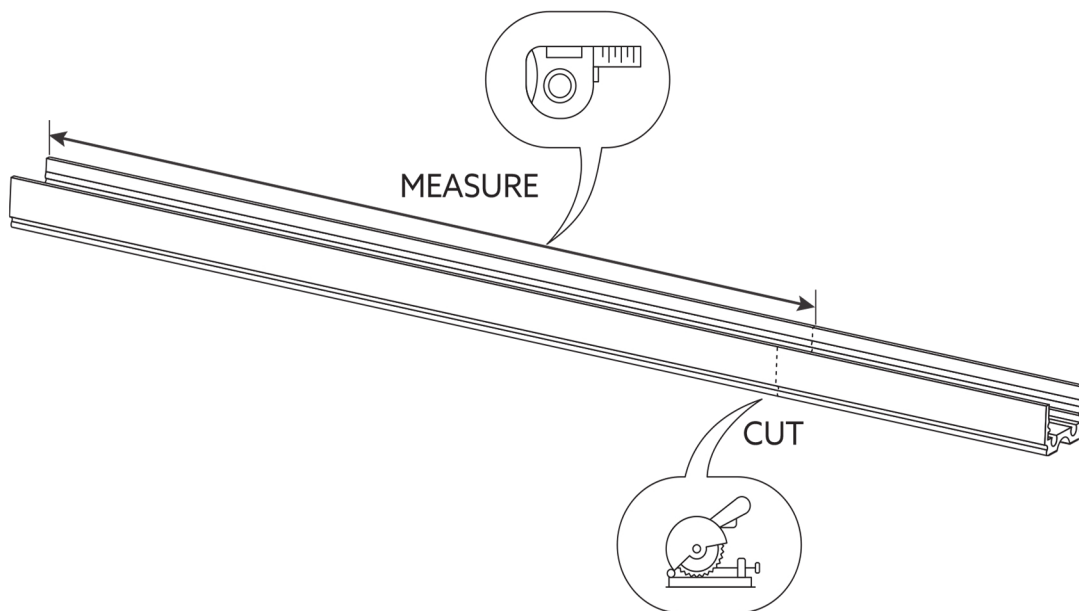
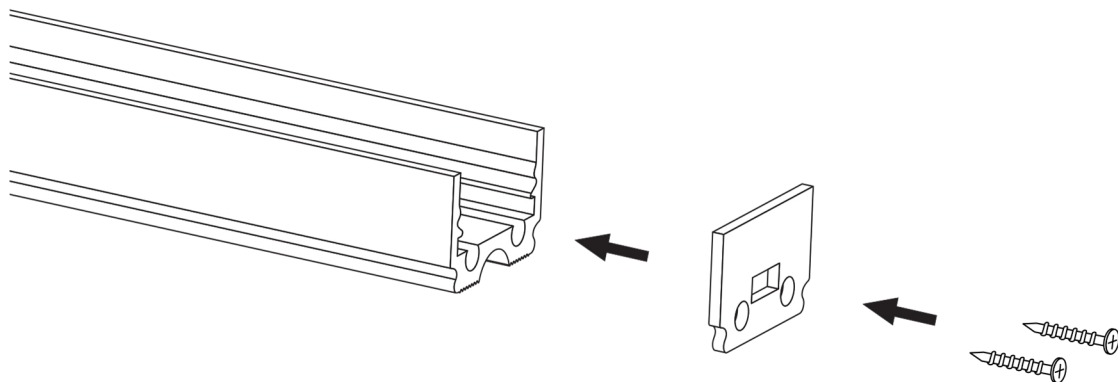


INSTALLATION

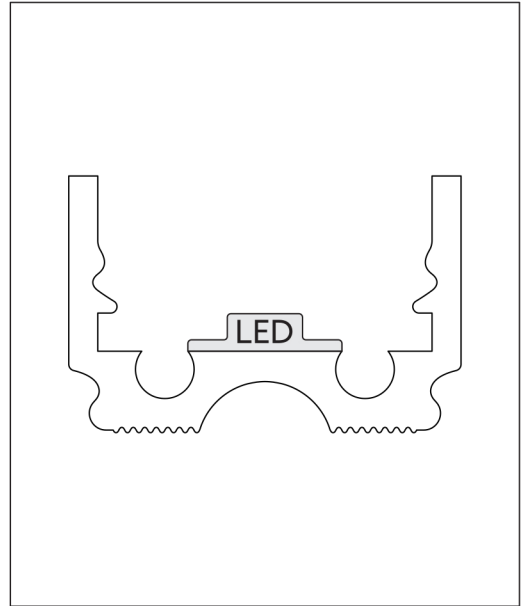
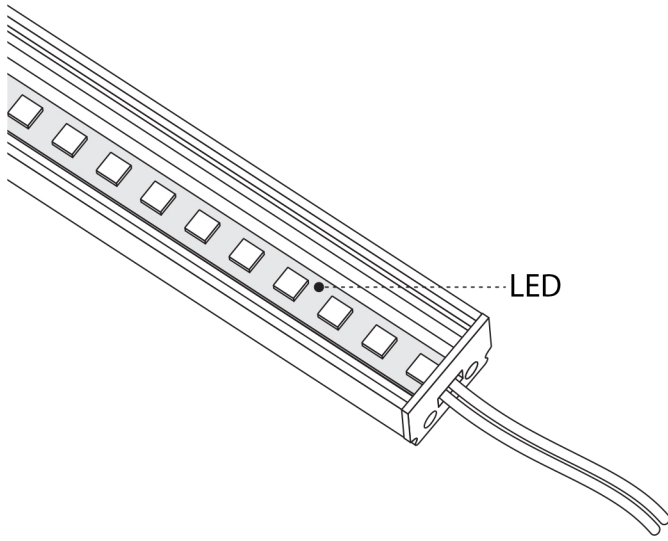
1. Measure and cut



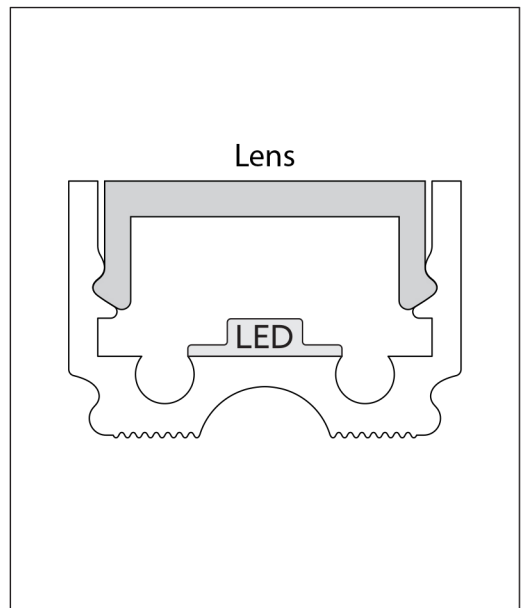
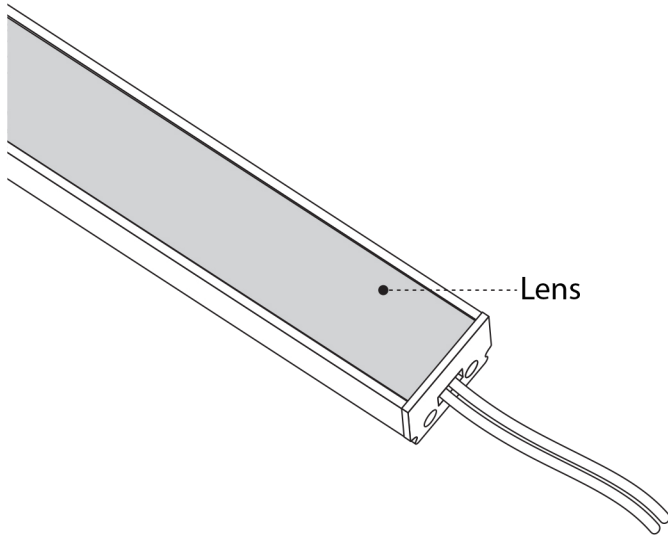
2. Screw the end caps



3. Install LED in the channel



4. Install the lens

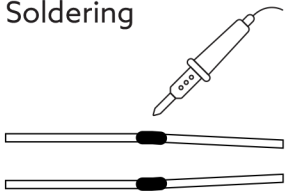


5. Connect LED wire to wire coming from the wall

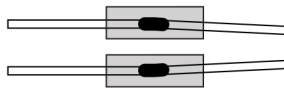


How to connect wires

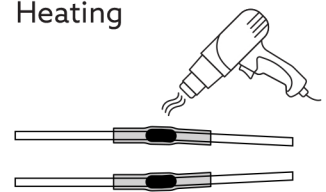
Soldering



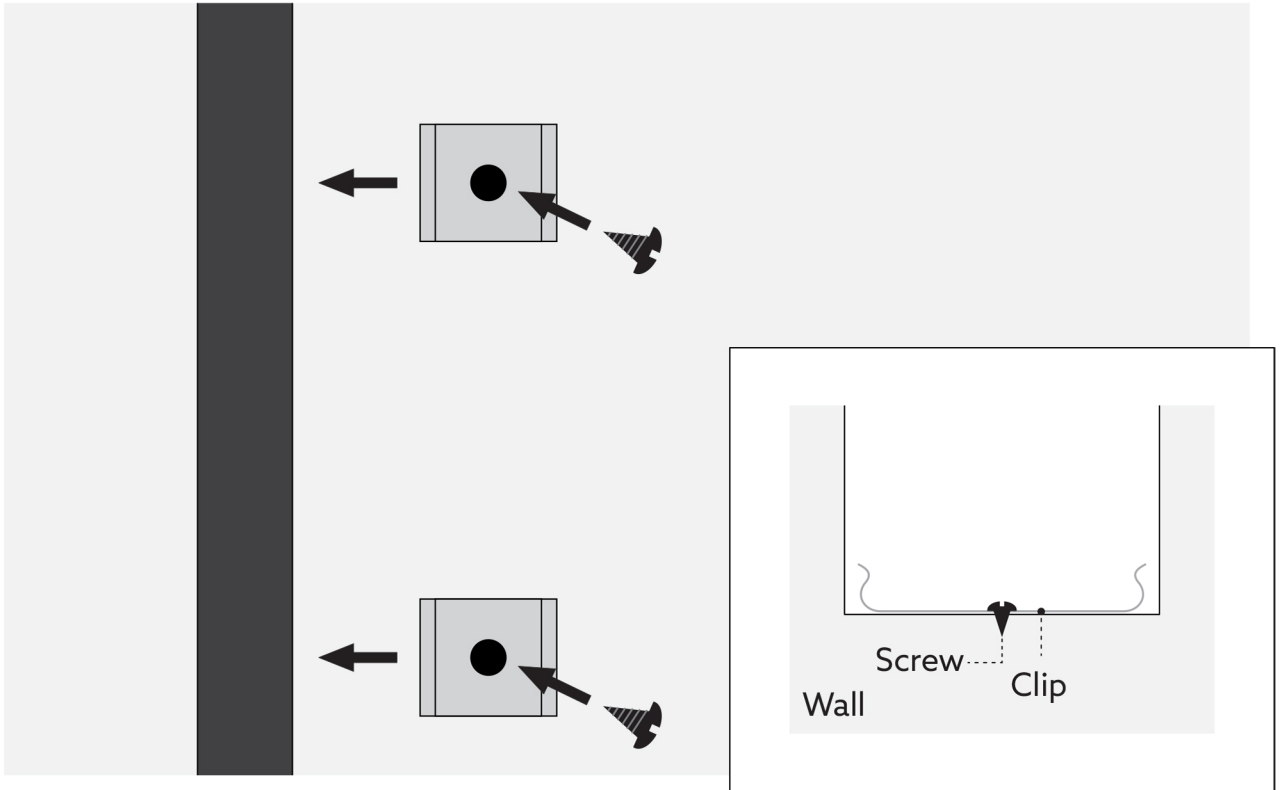
Plastic cover



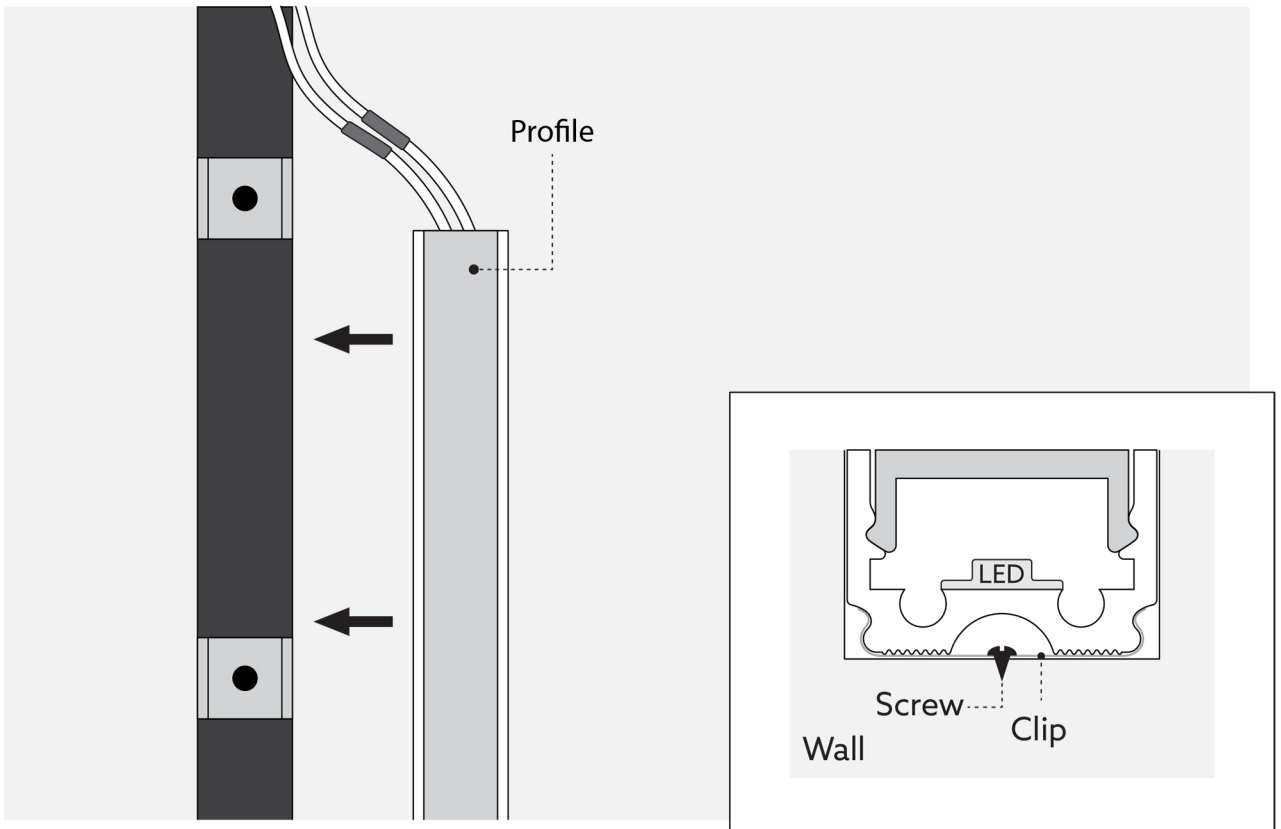
Heating

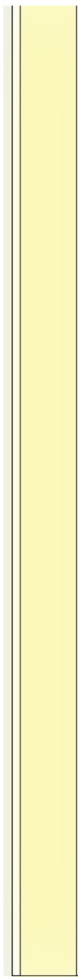
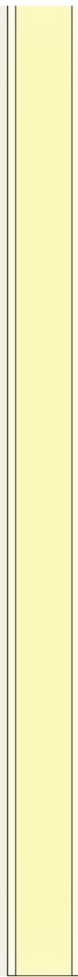
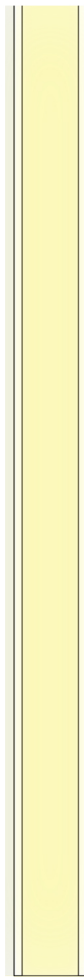
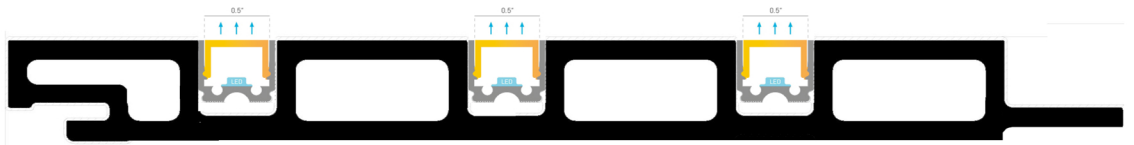


6. Screw the clips



7. Click the profile into the groove





05

05

05

PRODUCT FEATURES

The LF441409F is an advanced lighting fixture designed for versatile and efficient illumination. Its construction features a sleek recessed surface linear profile crafted from high-quality extruded aluminum housing, topped with a half-inch flat frosted lens for enhanced light diffusion. This thoughtful design ensures a uniform distribution of light across various surfaces, including drywall, wooden, tiles, and stone platforms, etc.

One of the standout features of the LF441409F is its waterproof build with (IP65) making it ideal for use in wet environments such as outdoor areas and showers. It is specifically engineered for floor, wall, ceiling, and step linear light applications, providing flexibility in design and installation. The inclusion of mounting clips facilitates secure attachment to both curved and flat surfaces, offering convenience and stability. Moreover, this luminaire is available in variable lengths of up to 18 feet, catering to different project requirements.

The lighting performance of the LF441409F is further enhanced by its dimmable, energy-efficient LED technology. These LEDs deliver a high color rendering index, ensuring vibrant and accurate lighting that enhances the visual appeal of any space. With color temperature (CCT) options ranging from 2200K to 6000K, users have the flexibility to create the desired ambiance and atmosphere to complement their design concepts.

Managing and controlling the lighting system is effortless thanks to a range of options including wall remote, hand remote, and smart app controls. This intuitive control system allows users to adjust the lighting output according to their preferences, adding convenience and customization to the user experience.

Whether for residential or commercial applications, the LF441409F is a perfect choice for producing ambient or decorative illumination. Backed by a robust 5-year warranty, this luminaire offers both reliability and longevity, ensuring peace of mind for users and delivering exceptional lighting solutions for a variety of spaces.

LF441409F Custom Linear cUL/UL Certified Fluted Panel (Luminaire IFDR Low-voltage Lighting Systems)- Outdoor rated.



SPECIFICATIONS:

ELECTRICAL

Input	24V-5W/ft-16W/m
Power Supply	Class 2 Dimmable 20KHZ Lutron Hi-lume 0.1% Lutron 3-wire 100%-1%
Operating temp.	- 31°F to + 113°F -35°Cto+45°C
Certification	U.S./Canada UL approved. Type IC Recessed

CONTROL

Options	Combination of wireless wall touch keys, portable remotes, and mobile App
Range	Wireless controlling transmits RF in 30m range.
Multi-zone	Individual and collective zone options for color and brightness control
Dimming	Brightness, color tuning, & light mode with memory saving options

PHYSICAL

Dimension	0.55 in x 0.35 in - 14x9mm Upto18ft (5.5m) length* 0.07 lbs/ft - 0.1 kg/m
Finish	Mill, black, white, Silver anodized finish *
Field	Indoor and outdoor IP65
Mounting	Recessed in wood, stone, and tile wet areas.

LIGHT

LED type	Single and tunable white, Circadian BIOS SkyBlue.
CCT	3000K 3500K 4000K 4500K 5000K 5500K*
CRI	High CRI up to 97*
Brightness	400 Lm/ft - 1400 Lm/m *
Lifetime	50,000 hours
Warranty	5 Years

* For Custom applications please visit Light44.com