

REVISIONS:			
REV:	DESCRIPTION:	BY:	DATE:
A	description	by	xx/xx/xx

EXTERIOR SHEATHING
BY OTHERS

Z BAR IF REQUIRED

A/V BARRIER BY OTHERS

PVC PANEL

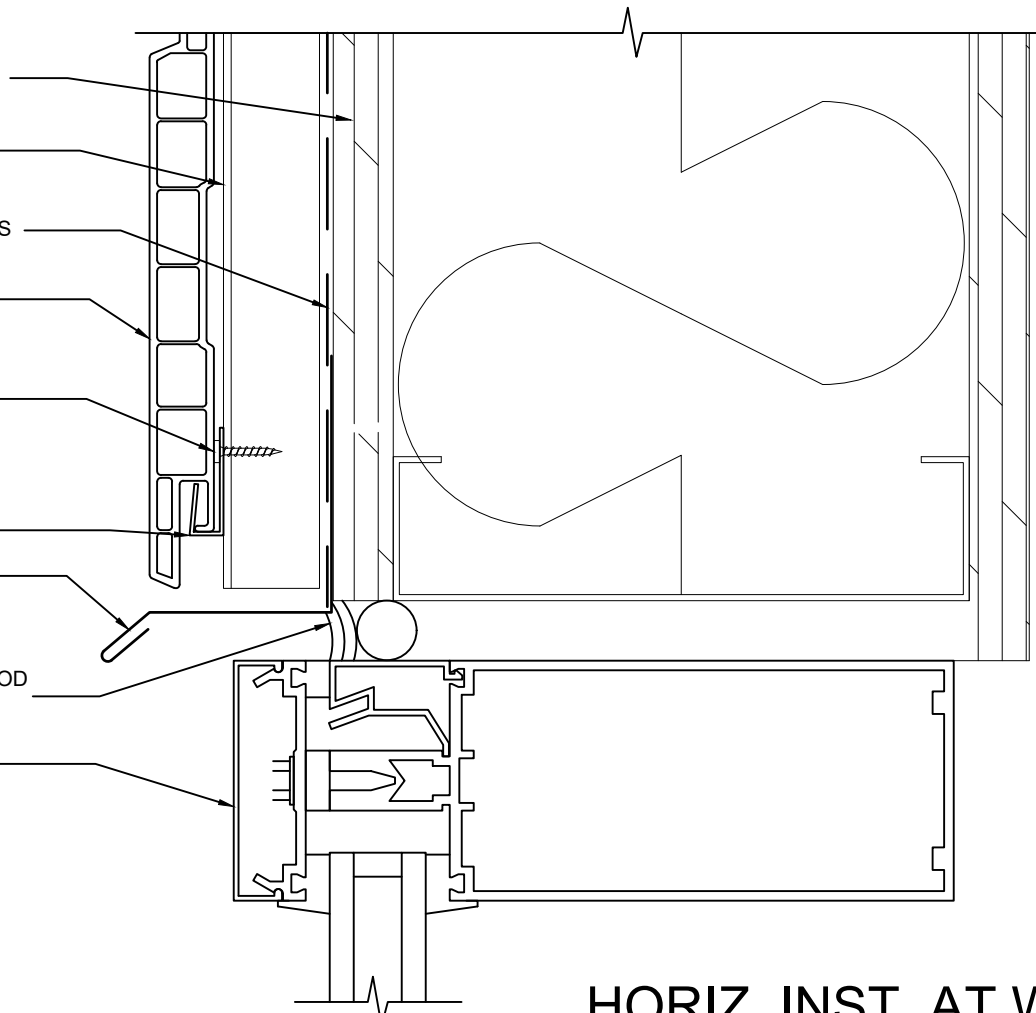
PAN HEAD SCREW

STARTER CLIP

FLASHING

CAULKING W/BACKER ROD
BY OTHERS

WINDOW HEAD



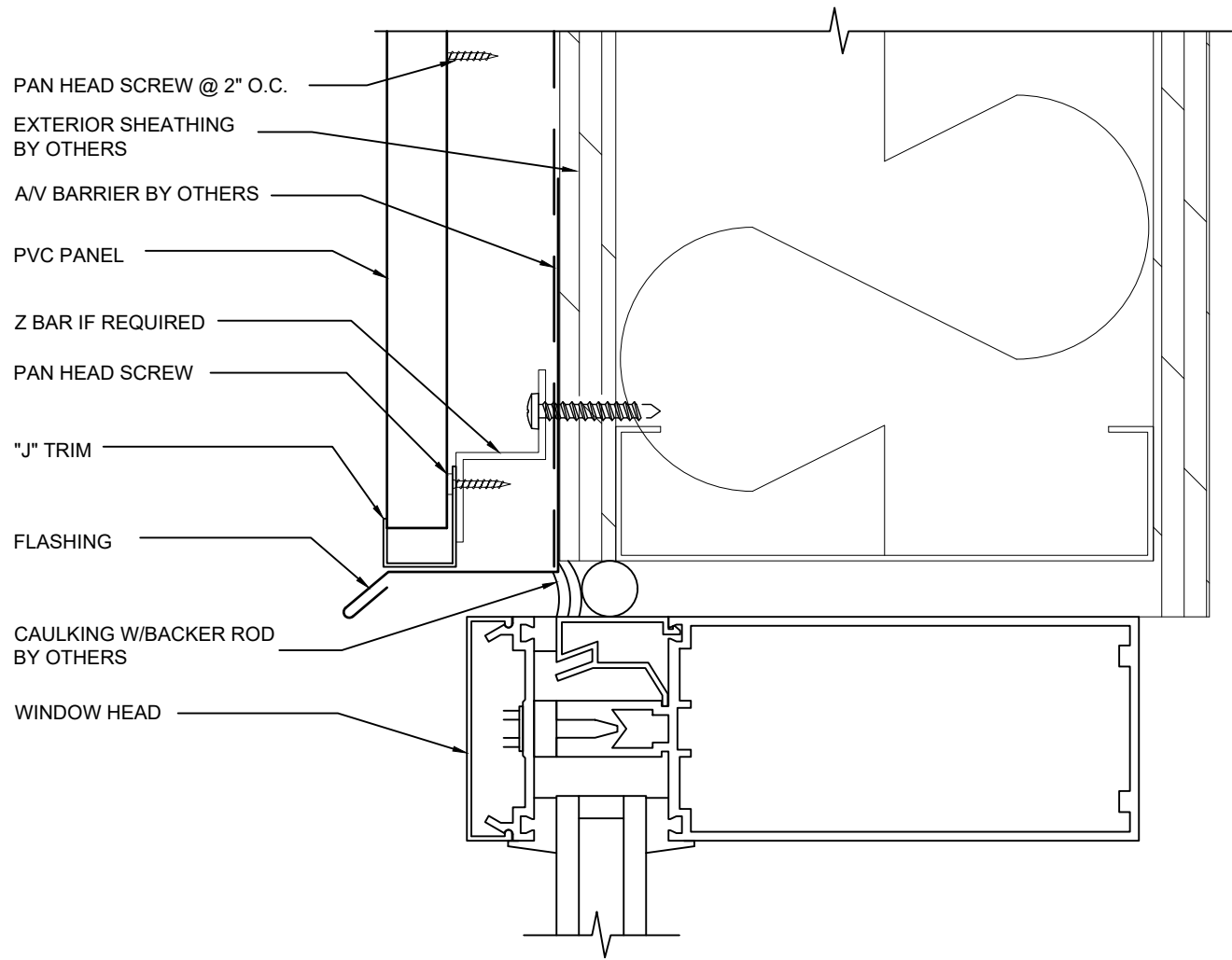
HORIZ. INST. AT WINDOW HEAD

SITE: XXX	XX		XX	MM,DD,YY
	DRAWING NO.		PROJECT NO.	DATE.
TITLE: JOINT DETAIL @ WINDOW HEAD	1:2	AD	XX	00
	SCALE AT A4.	DRAWN.	CHECKED.	REVISION.




133 Romina Dr, Concord, ON L4K 4Z9
Phone: 1(888)308-8898 email: info@nortwood.com
www.nortwood.com

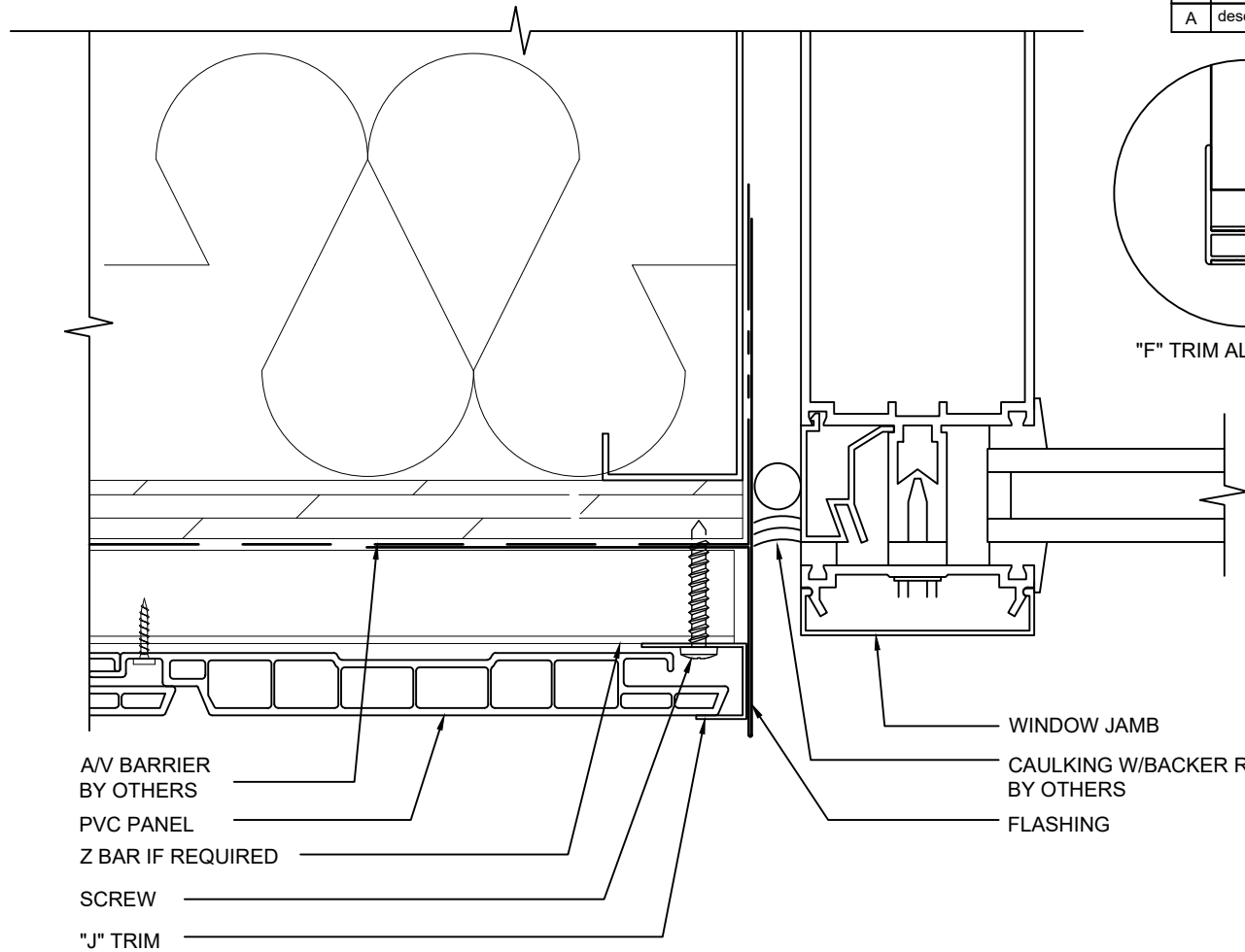
REVISIONS:			
REV:	DESCRIPTION:	BY:	DATE:
A	description	by	xx/xx/xx




VERT. INST. AT WINDOW HEAD

SITE: XXX	XX DRAWING NO.		XX PROJECT NO.	MM,DD,YY DATE.	 133 Romina Dr, Concord, ON L4K 4Z9 Phone: 1(888)308-8898 email: info@nortwood.com www.nortwood.com
	TITLE: JOINT DETAIL @ WINDOW HEAD	1:2 SCALE AT A4.	AD DRAWN.	XX CHECKED.	

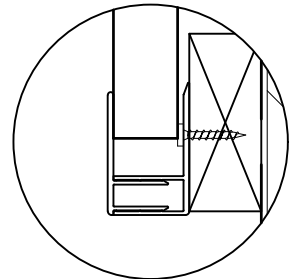
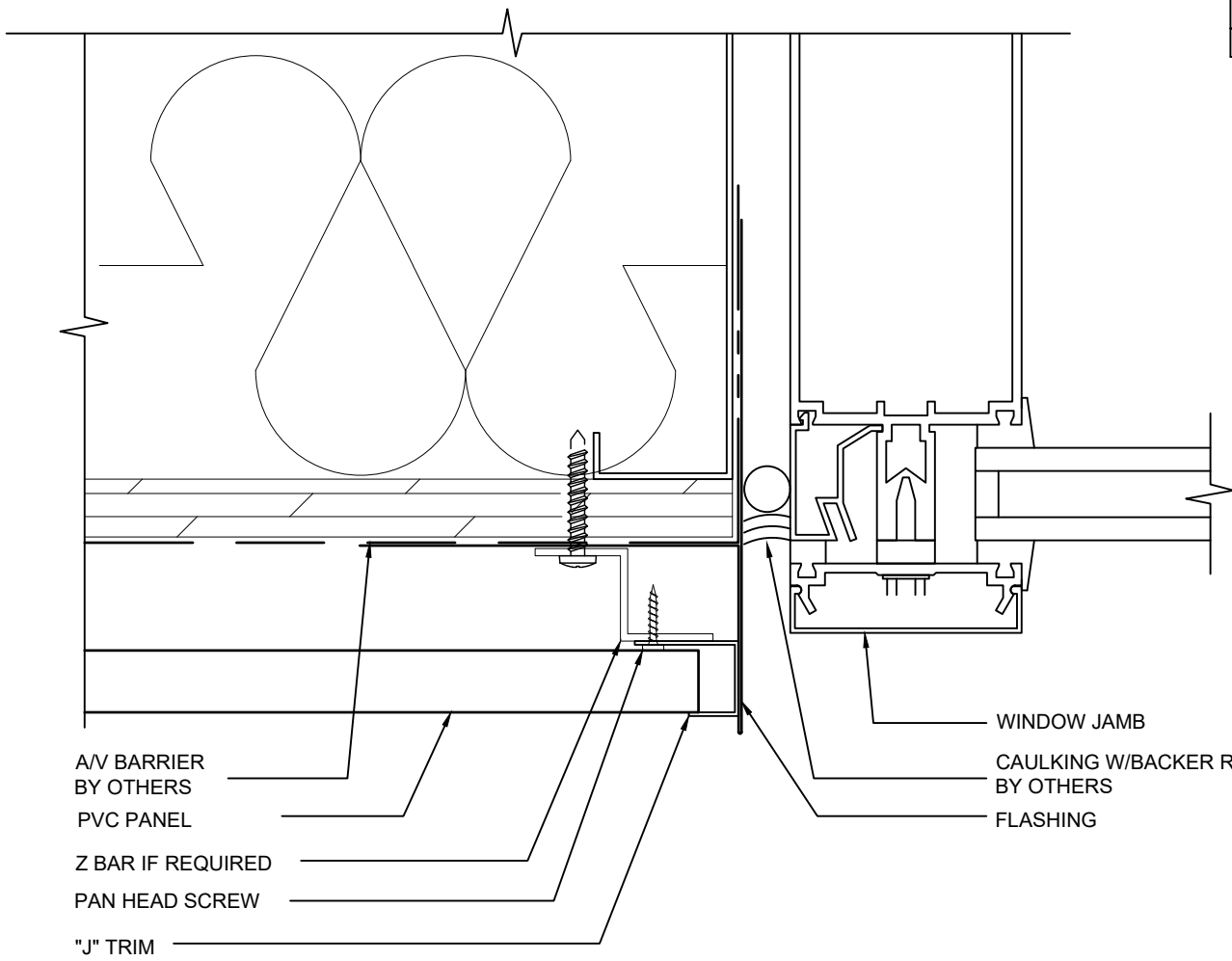
REVISIONS:			
REV:	DESCRIPTION:	BY:	DATE:
A	description	by	xx/xx/xx



VERT. INST. AT WINDOW JAMB


SITE: XXX	XX DRAWING NO.	XX PROJECT NO.	MM,DD,YY DATE.	 <p>133 Romina Dr, Concord, ON L4K 4Z9 Phone: 1(888)308-8898 email: info@nortwood.com www.nortwood.com</p>
TITLE: JOINT DETAIL @ WINDOW JAMB	1:2 SCALE AT A4.	AD DRAWN.	XX CHECKED.	

REVISIONS:			
REV:	DESCRIPTION:	BY:	DATE:
A	description	by	xx/xx/xx

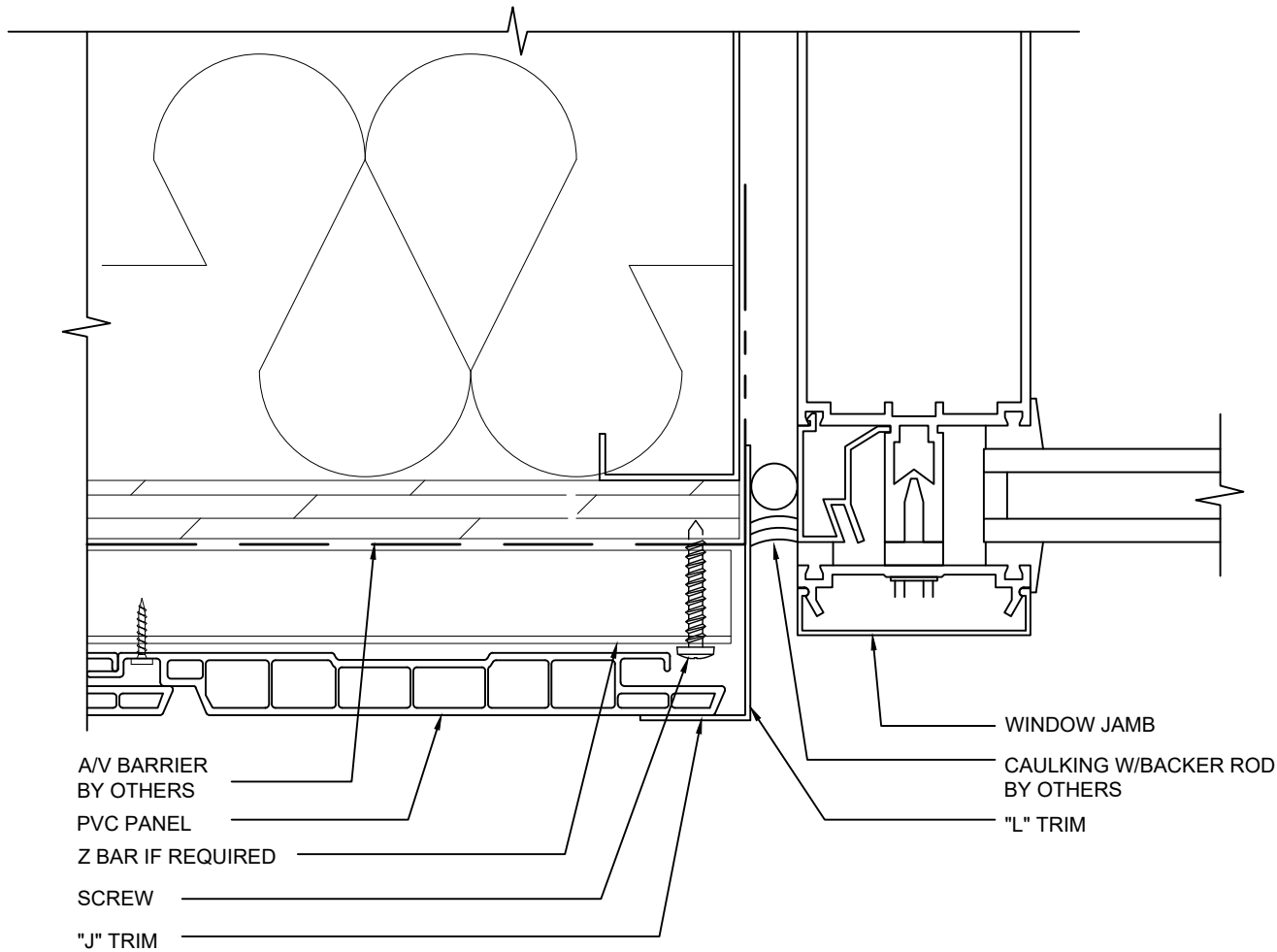


"F" TRIM ALSO AVAILABLE

HORIZ. INST. AT WINDOW JAMB

SITE: XXX	XX DRAWING NO.	XX PROJECT NO.	MM,DD,YY DATE.	 133 Romina Dr, Concord, ON L4K 4Z9 Phone: 1(888)308-8898 email: info@nortwood.com www.nortwood.com
TITLE: JOINT DETAIL @ WINDOW JAMB	1:2 SCALE AT A4.	AD DRAWN.	XX CHECKED.	

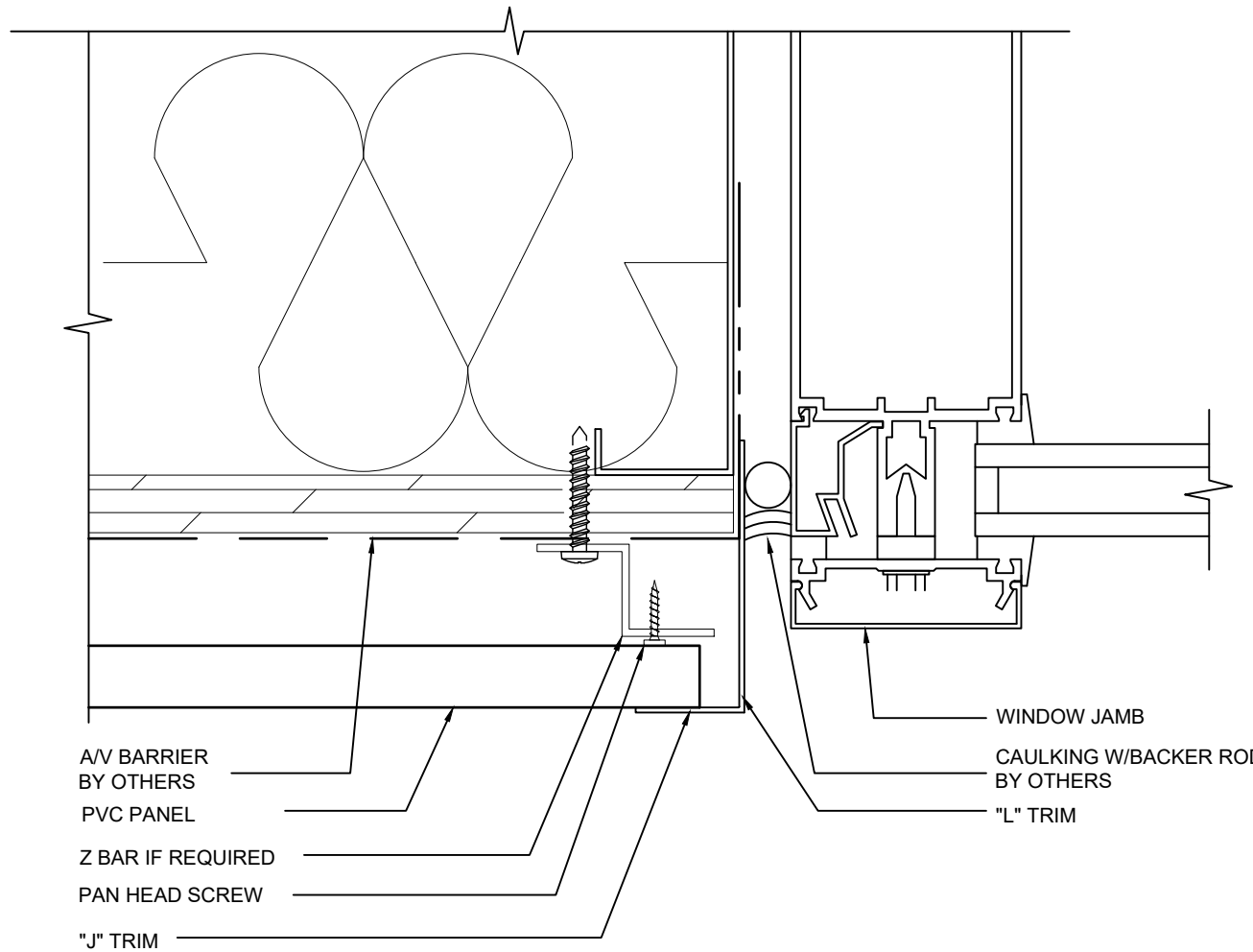
REVISIONS:			
REV:	DESCRIPTION:	BY:	DATE:
A	description	by	xx/xx/xx



VERT. INST. AT WINDOW JAMB

SITE: <div style="font-size: 24px; font-weight: bold; margin-top: 5px;">XXX</div>	XX <small>DRAWING NO.</small>	XX <small>PROJECT NO.</small>	MM,DD,YY <small>DATE.</small>	<p style="font-size: 10px; margin-top: 5px;">133 Romina Dr, Concord, ON L4K 4Z9 Phone: 1(888)308-8898 email: info@nortwood.com www.nortwood.com</p>
TITLE: <div style="font-size: 18px; font-weight: bold; margin-top: 5px;">JOINT DETAIL @ WINDOW JAMB</div>	1:2 <small>SCALE AT A4.</small>	AD <small>DRAWN.</small>	XX <small>CHECKED.</small>	

REVISIONS:			
REV:	DESCRIPTION:	BY:	DATE:
A	description	by	xx/xx/xx



A/V BARRIER
BY OTHERS

PVC PANEL

Z BAR IF REQUIRED

PAN HEAD SCREW

"J" TRIM

WINDOW JAMB

CAULKING W/BACKER ROD
BY OTHERS

"L" TRIM

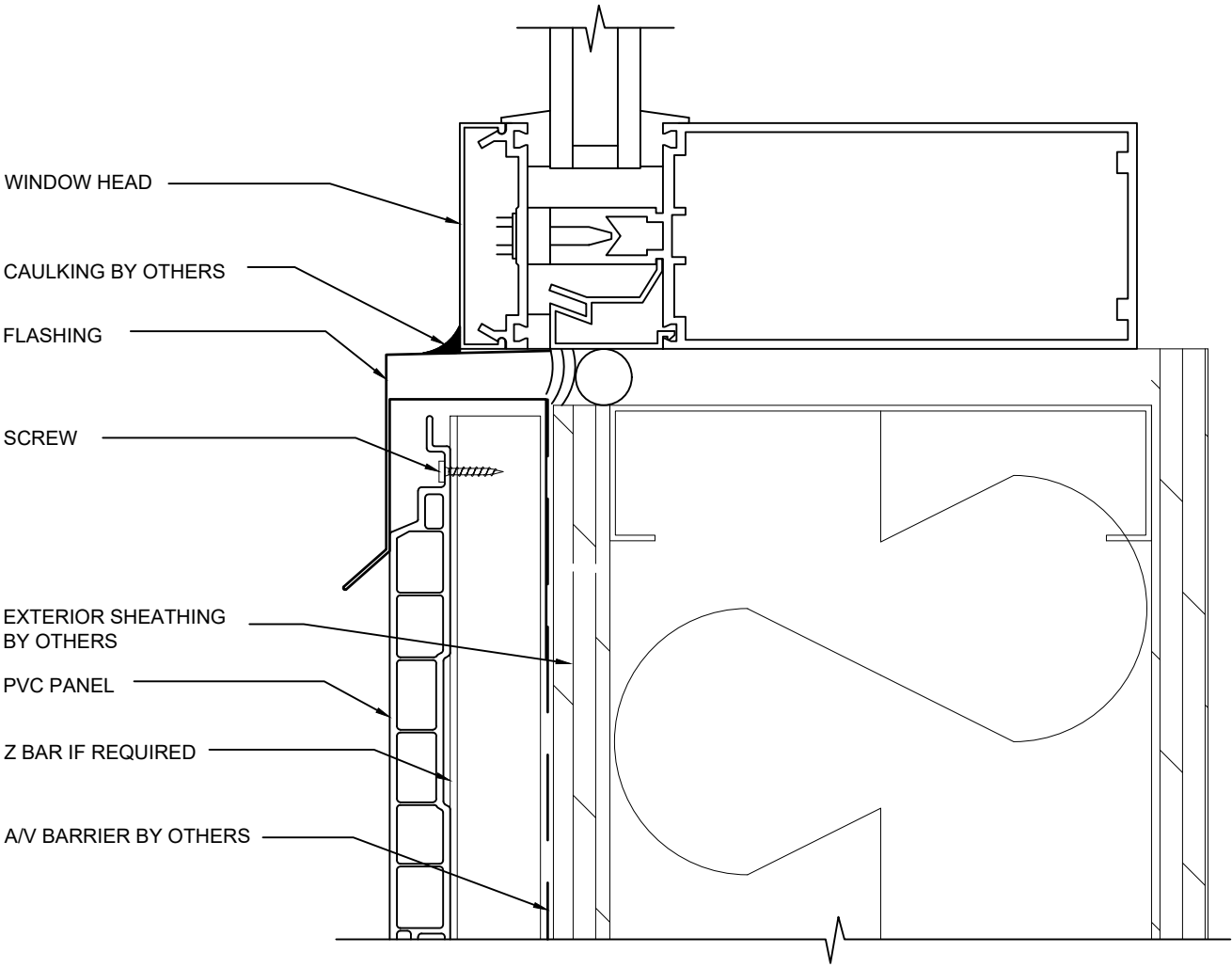
HORIZ. INST. AT WINDOW JAMB

SITE: XXX	XX		XX	MM,DD,YY
	DRAWING NO.		PROJECT NO.	DATE.
TITLE: JOINT DETAIL @ WINDOW JAMB	1:2	AD	XX	00
	SCALE AT A4.	DRAWN.	CHECKED.	REVISION.




133 Romina Dr, Concord, ON L4K 4Z9
Phone: 1(888)308-8898 email: info@nortwood.com
www.nortwood.com

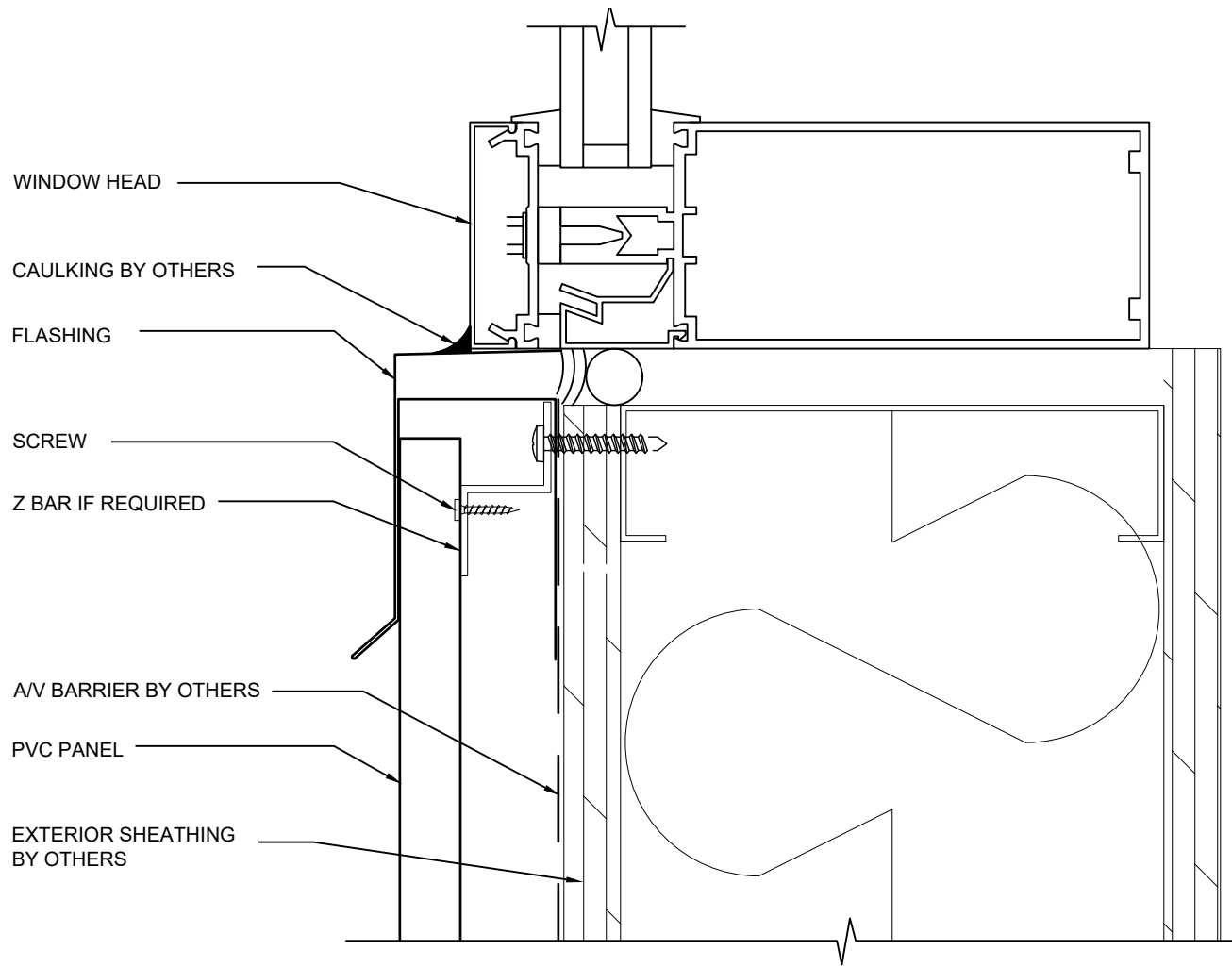
REVISIONS:			
REV:	DESCRIPTION:	BY:	DATE:
A	description	by	xx/xx/xx



HORIZ. INST. AT WINDOW SILL

SITE: XXX	XX DRAWING NO.		XX PROJECT NO.	MM,DD,YY DATE.	 133 Romina Dr, Concord, ON L4K 4Z9 Phone: 1(888)308-8898 email: info@nortwood.com www.nortwood.com
	TITLE: JOINT DETAIL @ WINDOW JAMB	1:2 SCALE AT A4.	AD DRAWN.	XX CHECKED.	

REVISIONS:			
REV:	DESCRIPTION:	BY:	DATE:
A	description	by	xx/xx/xx



WINDOW HEAD

CAULKING BY OTHERS

FLASHING

SCREW


Z BAR IF REQUIRED

A/V BARRIER BY OTHERS

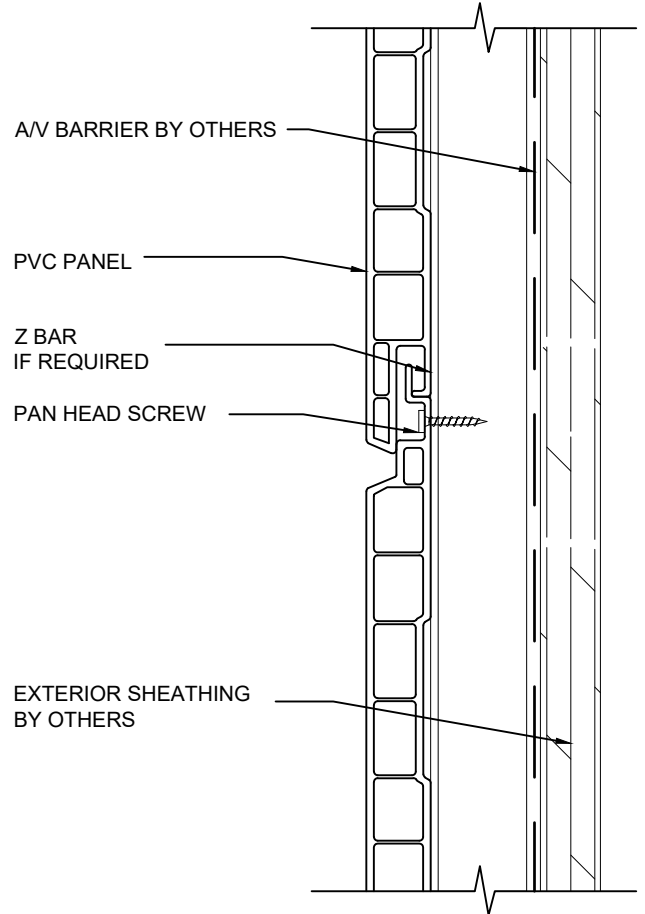
PVC PANEL

EXTERIOR SHEATHING BY OTHERS

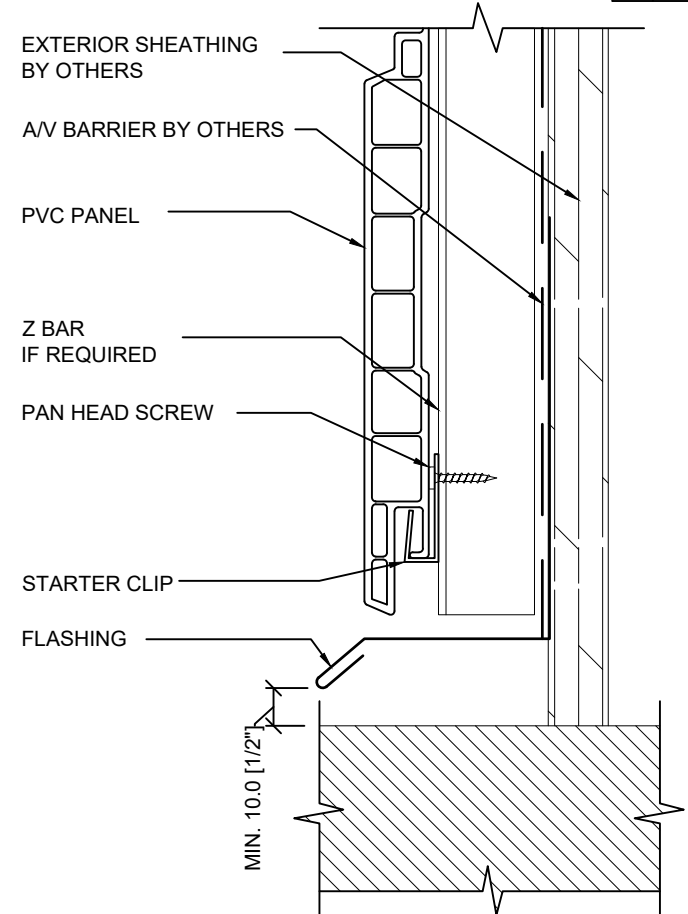
VERT. INST. AT WINDOW SILL

SITE: XXX	XX DRAWING NO.		XX PROJECT NO.	MM,DD,YY DATE.	 133 Romina Dr, Concord, ON L4K 4Z9 Phone: 1(888)308-8898 email: info@nortwood.com www.nortwood.com
	TITLE: JOINT DETAIL @ WINDOW JAMB	1:2 SCALE AT A4.	AD DRAWN.	XX CHECKED.	


REVISIONS:			
REV:	DESCRIPTION:	BY:	DATE:
A	description	by	xx/xx/xx



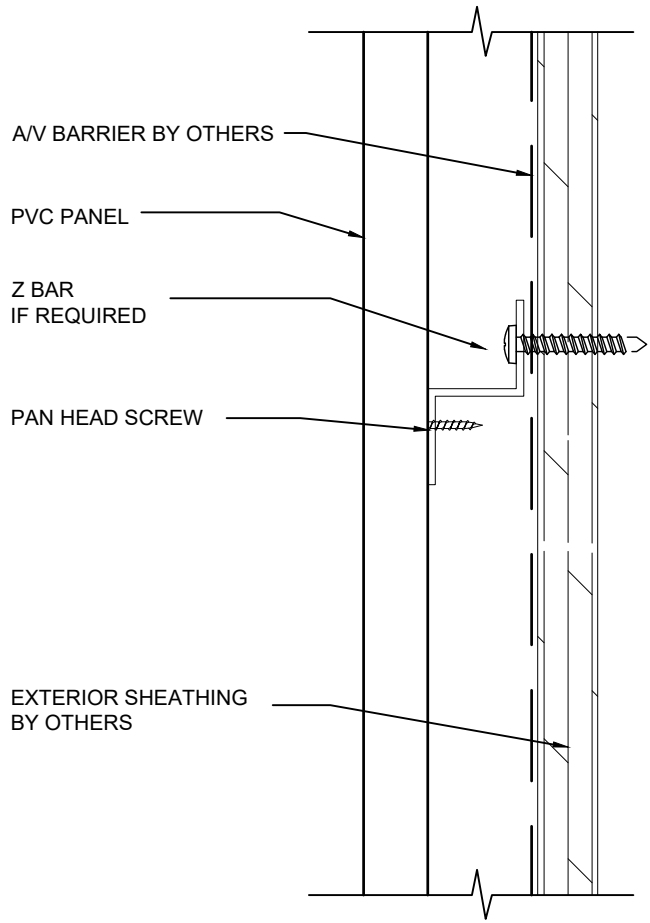
HORIZ. INST. JOINT TYP.



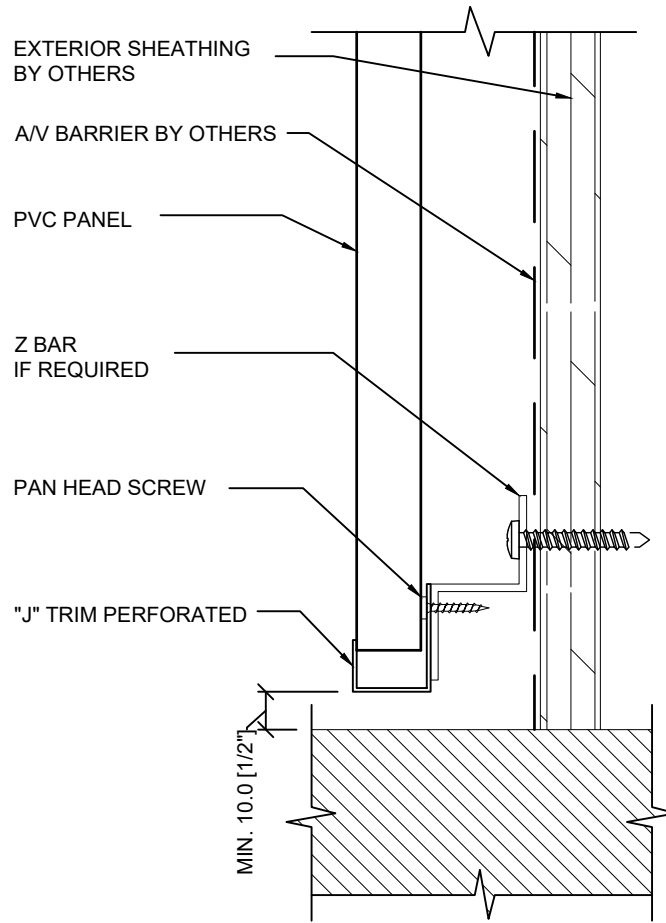
HORIZ. INST. END

SITE: XXX	XX DRAWING NO.		XX PROJECT NO.	MM,DD,YY DATE.	 133 Romina Dr, Concord, ON L4K 4Z9 Phone: 1(888)308-8898 email: info@nortwood.com www.nortwood.com
	TITLE: JOINTS HORIZONTAL	1:2 SCALE AT A4.	AD DRAWN.	XX CHECKED.	

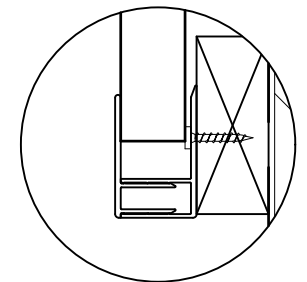
REVISIONS:			
REV:	DESCRIPTION:	BY:	DATE:
A	description	by	xx/xx/xx




VERT. INST. JOINT TYP.



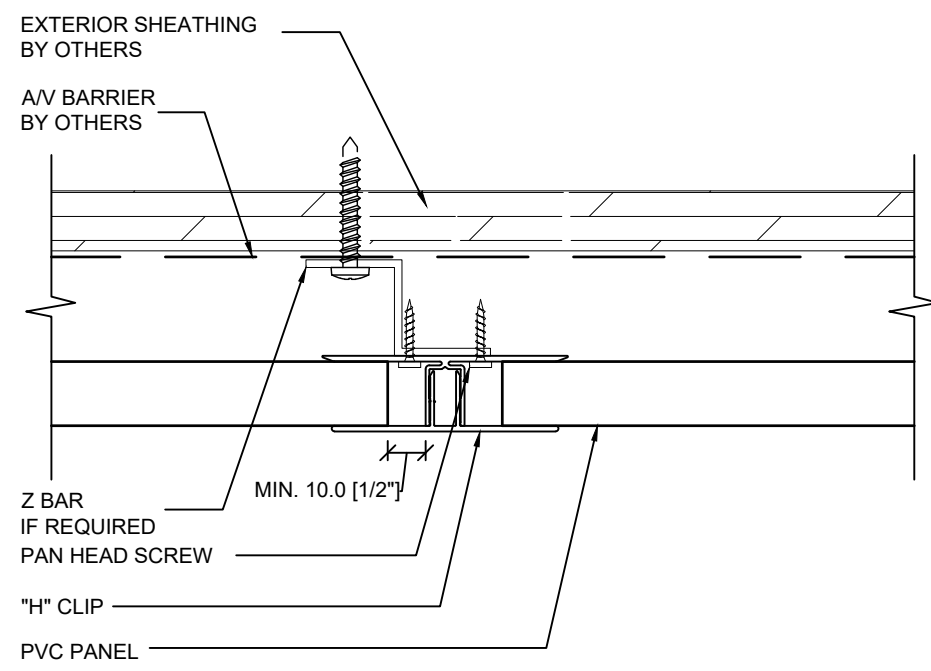
VERT. INST. END



"F" TRIM ALSO AVAILABLE

SITE: XXX	XX DRAWING NO.		XX PROJECT NO.	MM,DD,YY DATE.	 133 Romina Dr, Concord, ON L4K 4Z9 Phone: 1(888)308-8898 email: info@nortwood.com www.nortwood.com
	TITLE: JOINT VERTICAL	1:2 SCALE AT A4.	AD DRAWN.	XX CHECKED.	

REVISIONS:			
REV:	DESCRIPTION:	BY:	DATE:
A	description	by	xx/xx/xx



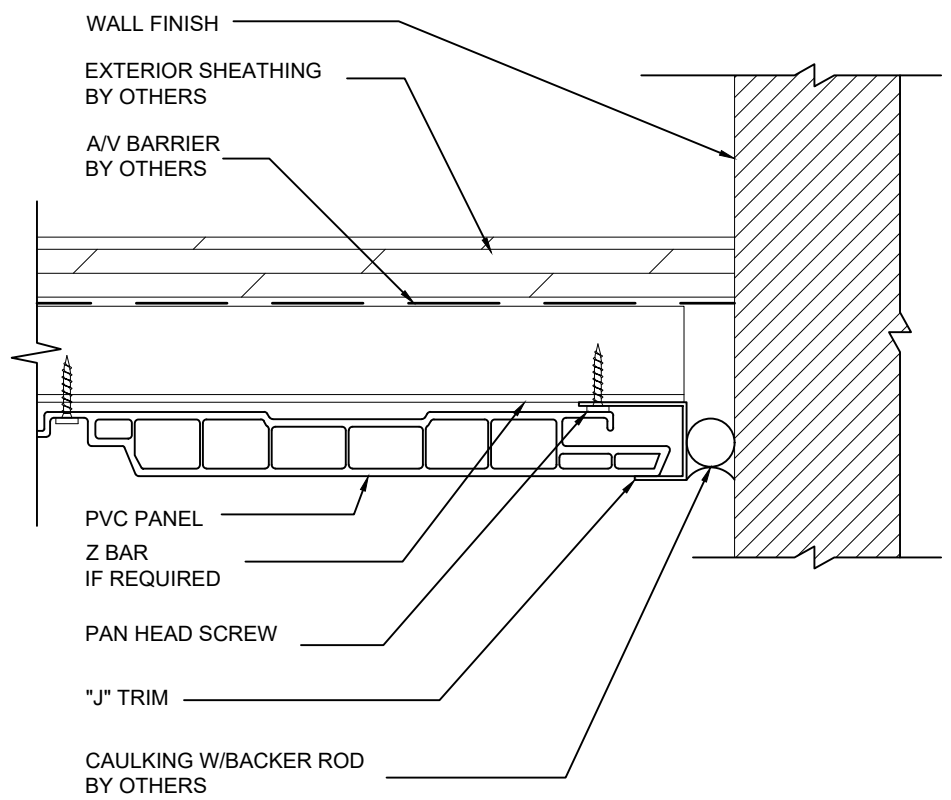
VERTICAL "H" JOINT TYP.

SITE:	XXX	XX	XX	MM,DD,YY
		DRAWING NO.	PROJECT NO.	DATE.
TITLE:	JOINT VERTICAL	1:2	AD	XX
		SCALE AT A4.	DRAWN.	CHECKED.
				00
				REVISION.

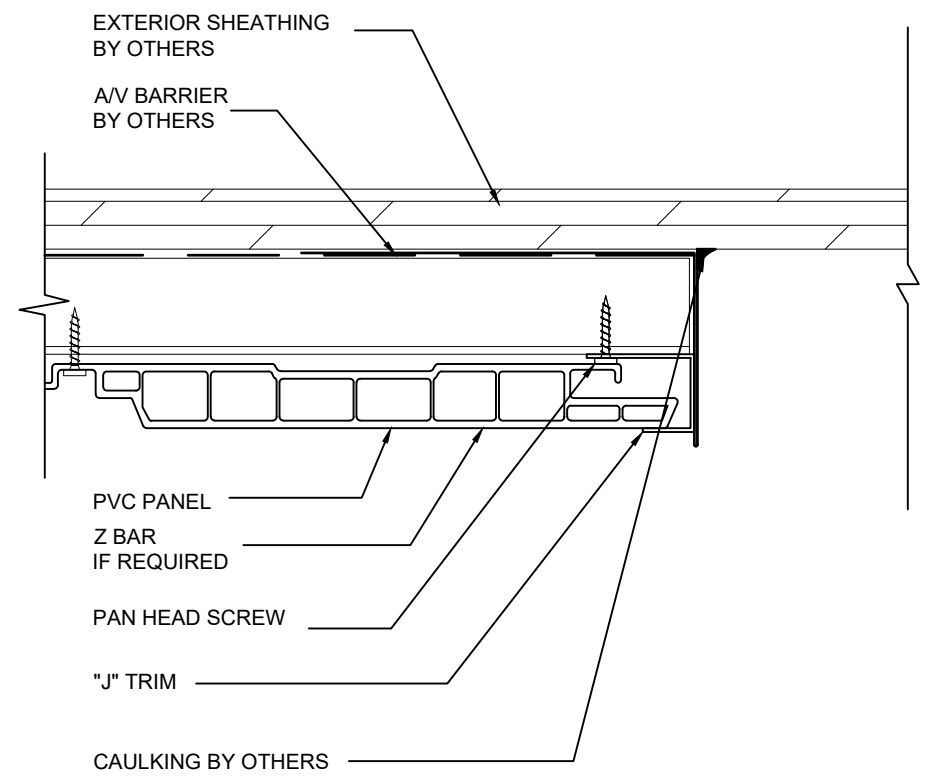


133 Romina Dr, Concord, ON L4K 4Z9
 Phone: 1(888)308-8898 email: info@nortwood.com
 www.nortwood.com


REVISIONS:			
REV:	DESCRIPTION:	BY:	DATE:
A	description	by	xx/xx/xx



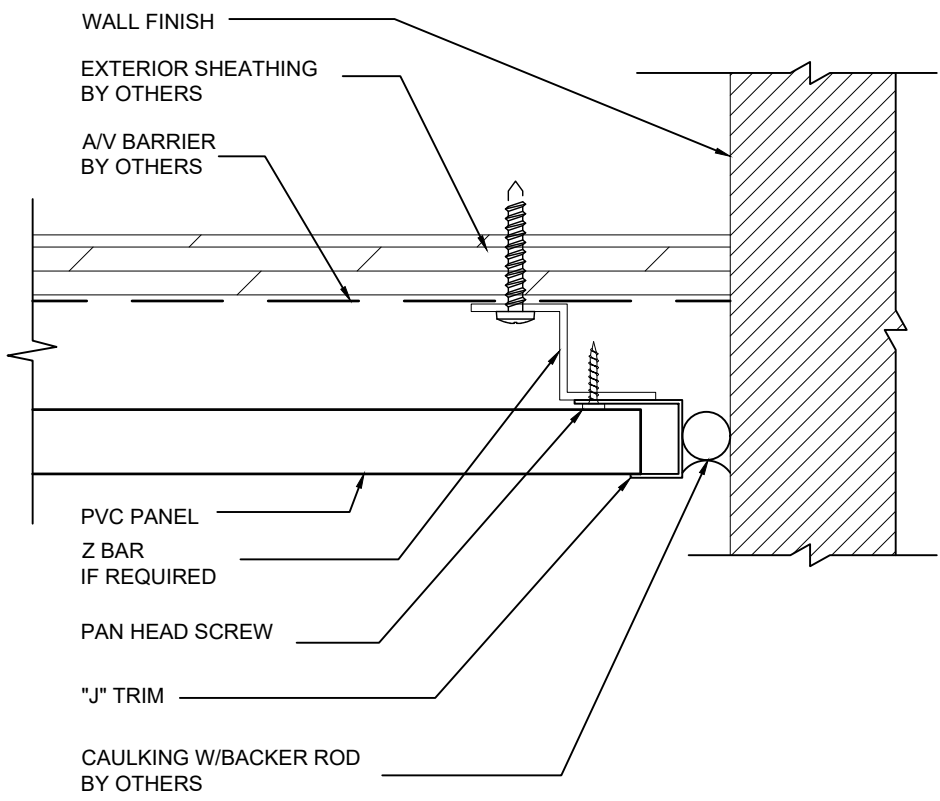
VERT. INST. JOINT AT WALL TYP.



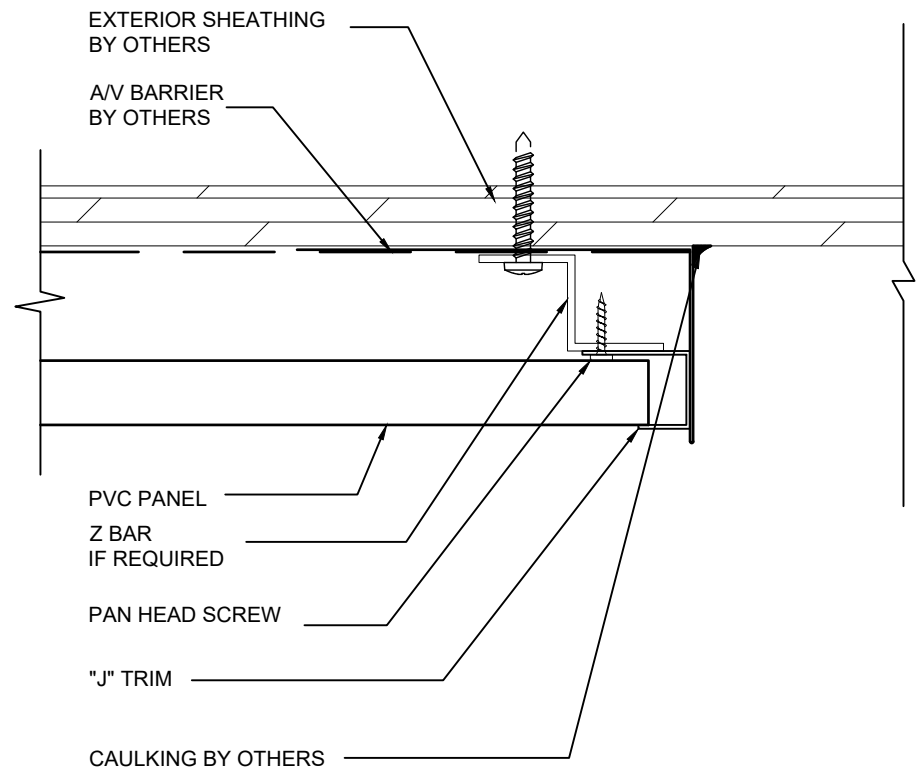
VERT. INST. START TYP.

SITE: XXX	XX DRAWING NO.		XX PROJECT NO.	MM,DD,YY DATE.	 133 Romina Dr, Concord, ON L4K 4Z9 Phone: 1(888)308-8898 email: info@nortwood.com www.nortwood.com
	TITLE: JOINT STARTER	1:2 SCALE AT A4.	AD DRAWN.	XX CHECKED.	


REVISIONS:			
REV:	DESCRIPTION:	BY:	DATE:
A	description	by	xx/xx/xx



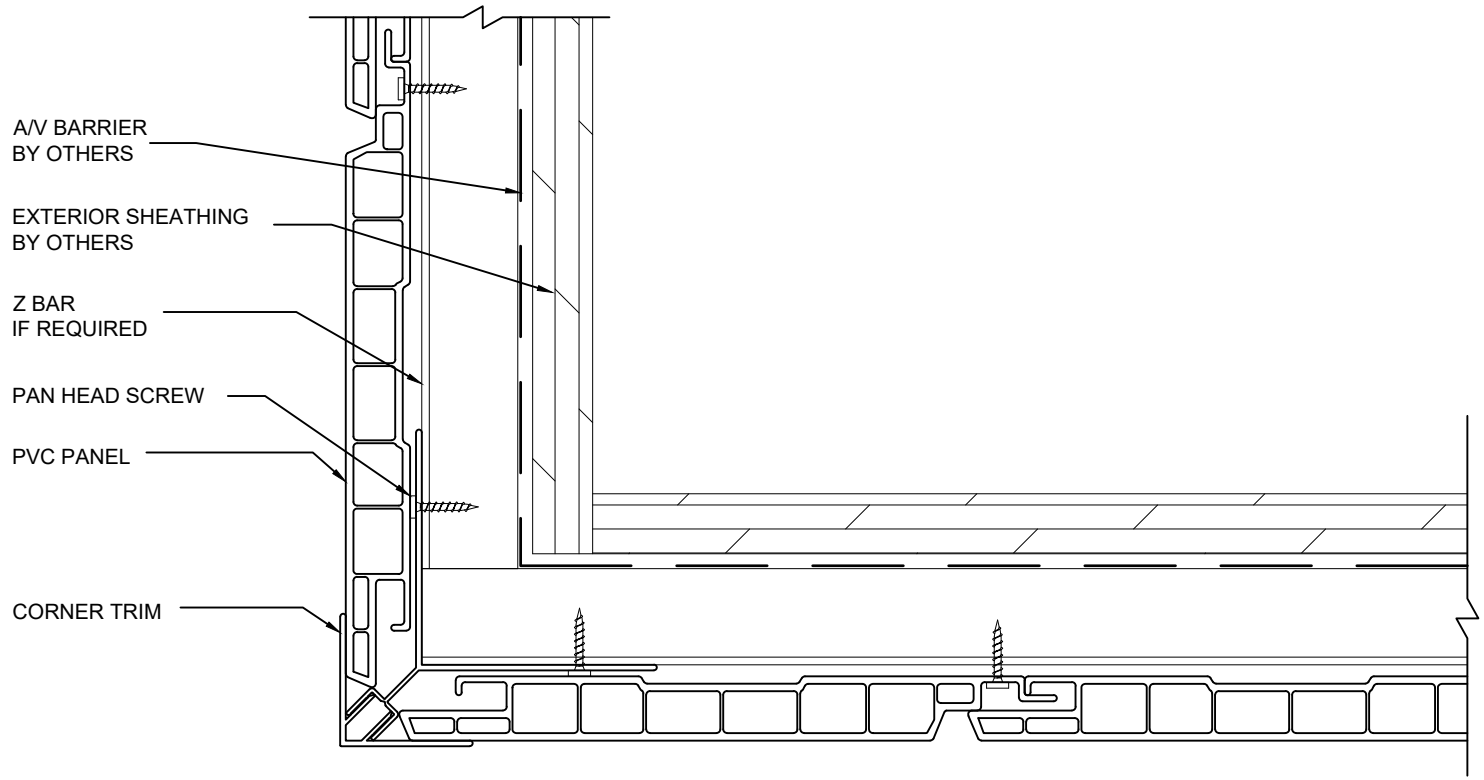
HORIZ. INST. JOINT AT WALL TYP.




HORIZ. INST. START TYP.

SITE: XXX	XX DRAWING NO.		XX PROJECT NO.	MM,DD,YY DATE.	 133 Romina Dr, Concord, ON L4K 4Z9 Phone: 1(888)308-8898 email: info@nortwood.com www.nortwood.com
	TITLE: JOINT STARTER	1:2 SCALE AT A4.	AD DRAWN.	XX CHECKED.	

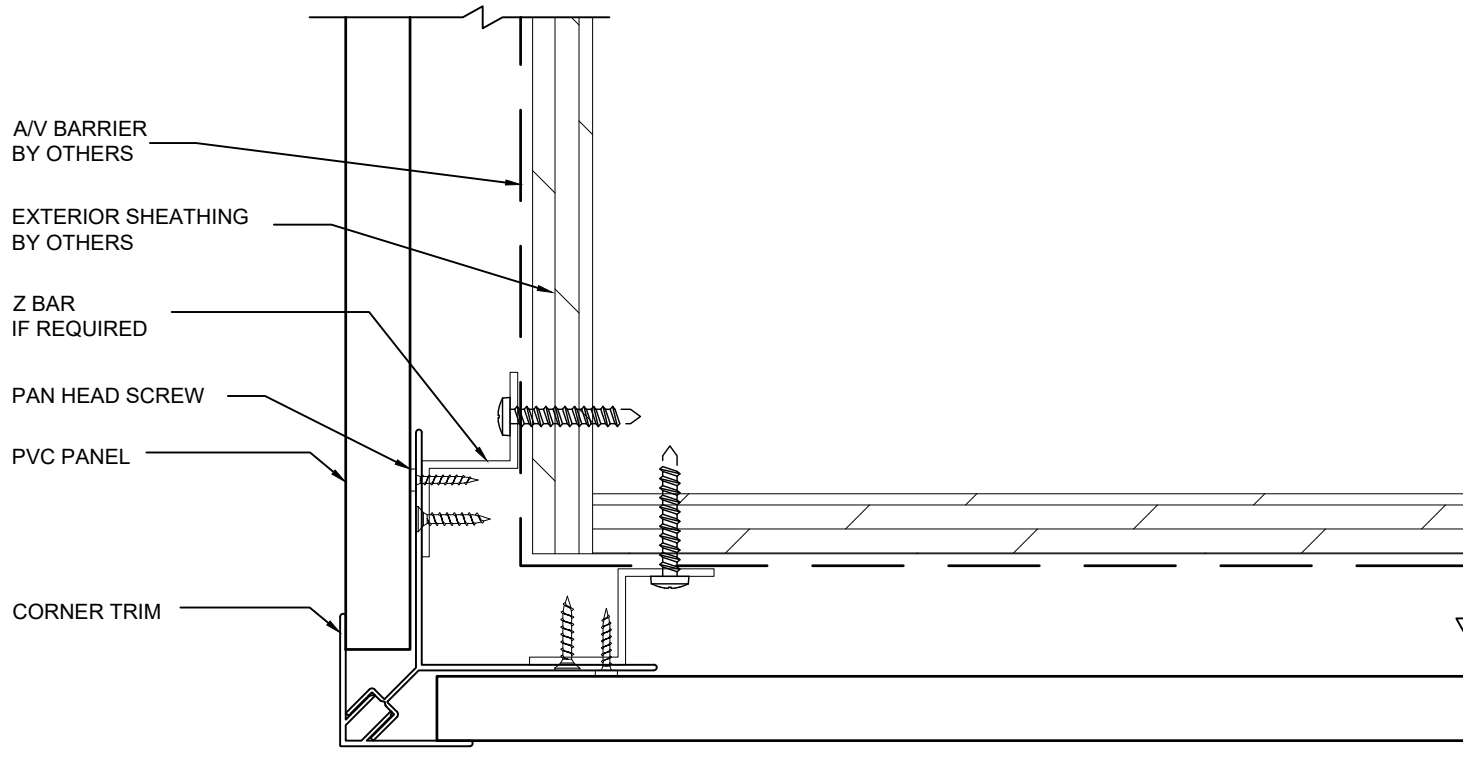
REVISIONS:			
REV:	DESCRIPTION:	BY:	DATE:
A	description	by	xx/xx/xx




VERT. INST. CORNER TRIM JOINT

SITE: <div style="font-size: 24pt; font-weight: bold; text-align: center;">XXX</div>	XX <small>DRAWING NO.</small>	XX <small>PROJECT NO.</small>	MM,DD,YY <small>DATE.</small>	 <p style="font-size: 10pt; margin-top: 10px;"> 133 Romina Dr, Concord, ON L4K 4Z9 Phone: 1(888)308-8898 email: info@nortwood.com www.nortwood.com </p>
TITLE: <div style="font-size: 18pt; font-weight: bold; text-align: center;">JOINT @ CORNER TRIM</div>	1:2 <small>SCALE AT A4.</small>	AD <small>DRAWN.</small>	XX <small>CHECKED.</small>	

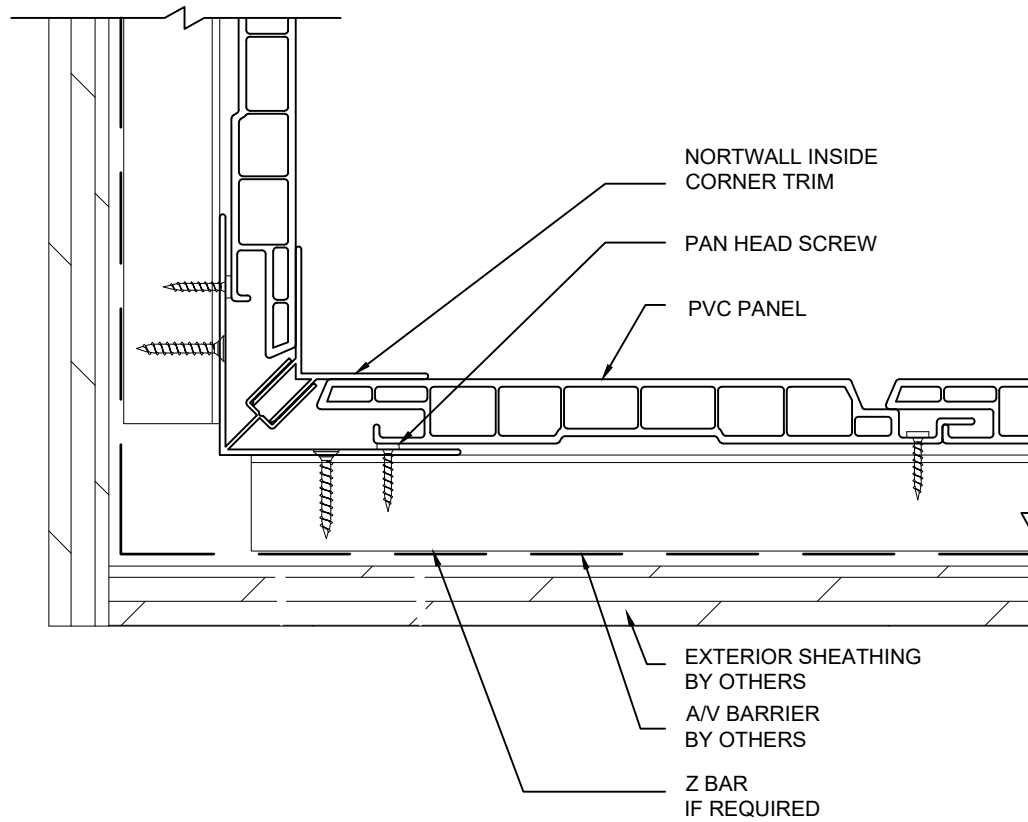
REVISIONS:			
REV:	DESCRIPTION:	BY:	DATE:
A	description	by	xx/xx/xx




HORIZ. INST. CORNER TRIM JOINT

SITE: XXX	XX DRAWING NO.	XX PROJECT NO.	MM,DD,YY DATE.	 <p>133 Romina Dr, Concord, ON L4K 4Z9 Phone: 1(888)308-8898 email: info@nortwood.com www.nortwood.com</p>
TITLE: JOINT @ CORNER TRIM	1:2 SCALE AT A4.	AD DRAWN.	XX 00 CHECKED. REVISION.	

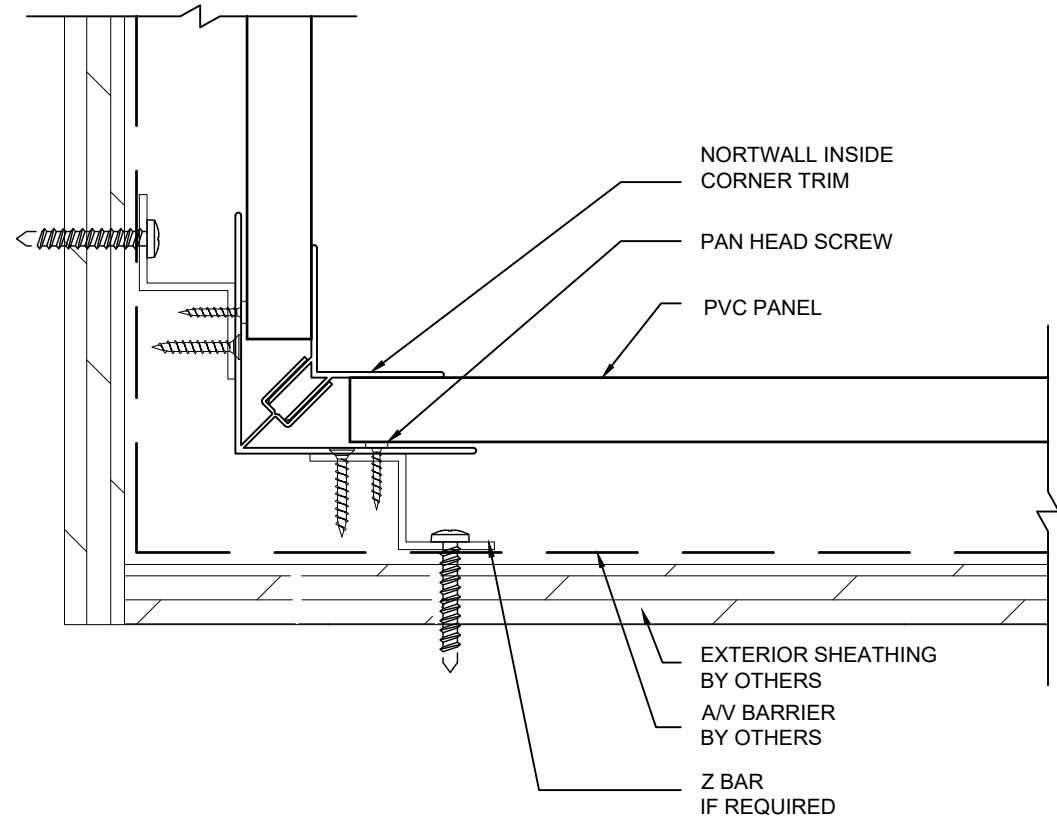
REVISIONS:			
REV:	DESCRIPTION:	BY:	DATE:
A	description	by	xx/xx/xx




VERT. INST. INSIDE CORNER TRIM

SITE: XXX	XX DRAWING NO.	XX PROJECT NO.	MM,DD,YY DATE.	 <p>133 Romina Dr, Concord, ON L4K 4Z9 Phone: 1(888)308-8898 email: info@nortwood.com www.nortwood.com</p>
TITLE: INSIDE CORNER TRIM	1:2 SCALE AT A4.	AD DRAWN.	XX 00 CHECKED. REVISION.	

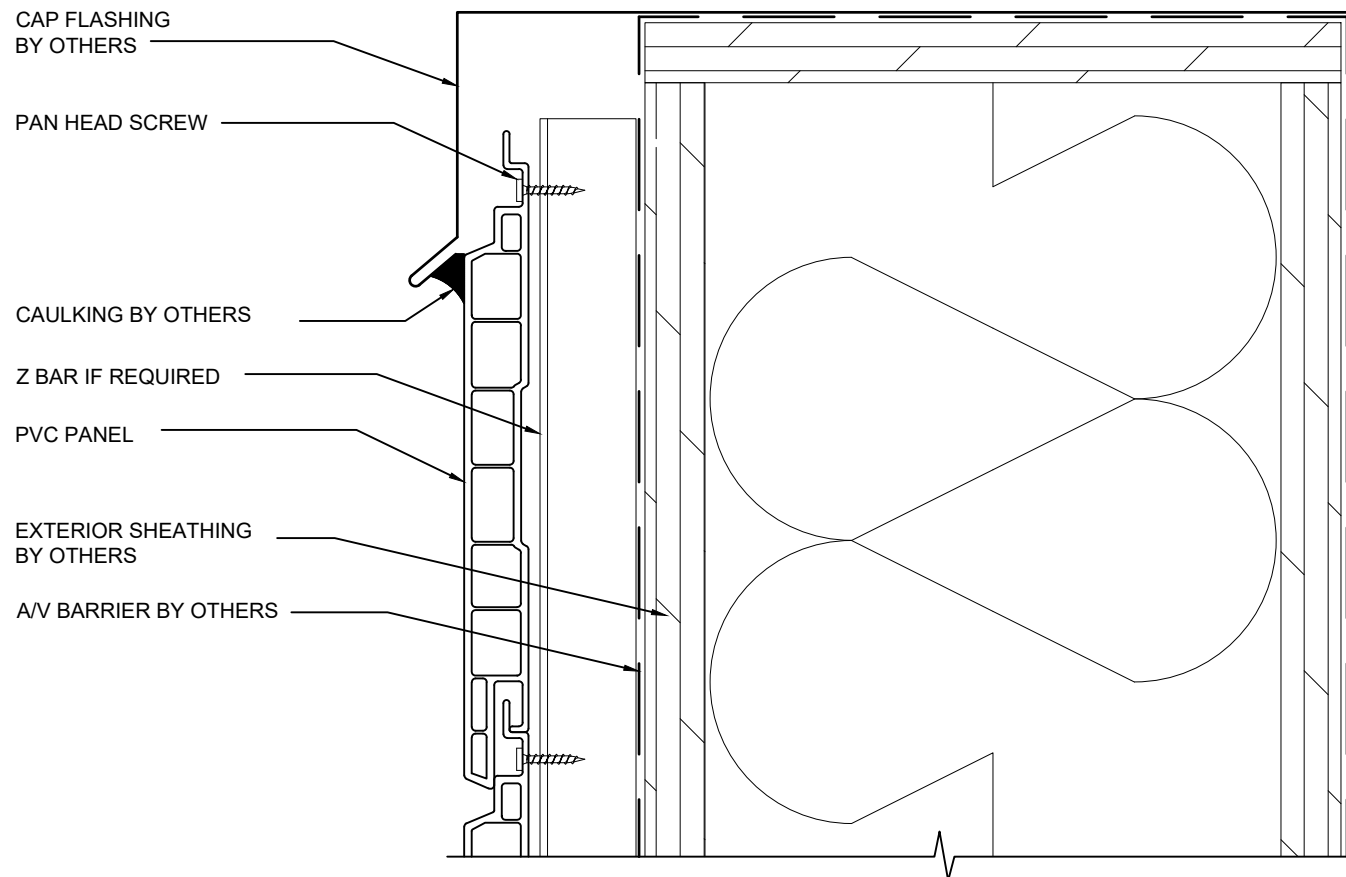
REVISIONS:			
REV:	DESCRIPTION:	BY:	DATE:
A	description	by	xx/xx/xx




HORIZ. INST. INSIDE CORNER TRIM

SITE: XXX	XX DRAWING NO.		XX PROJECT NO.	MM,DD,YY DATE.	 133 Romina Dr, Concord, ON L4K 4Z9 Phone: 1(888)308-8898 email: info@nortwood.com www.nortwood.com
	TITLE: INSIDE CORNER TRIM	1:2 SCALE AT A4.	AD DRAWN.	XX CHECKED.	

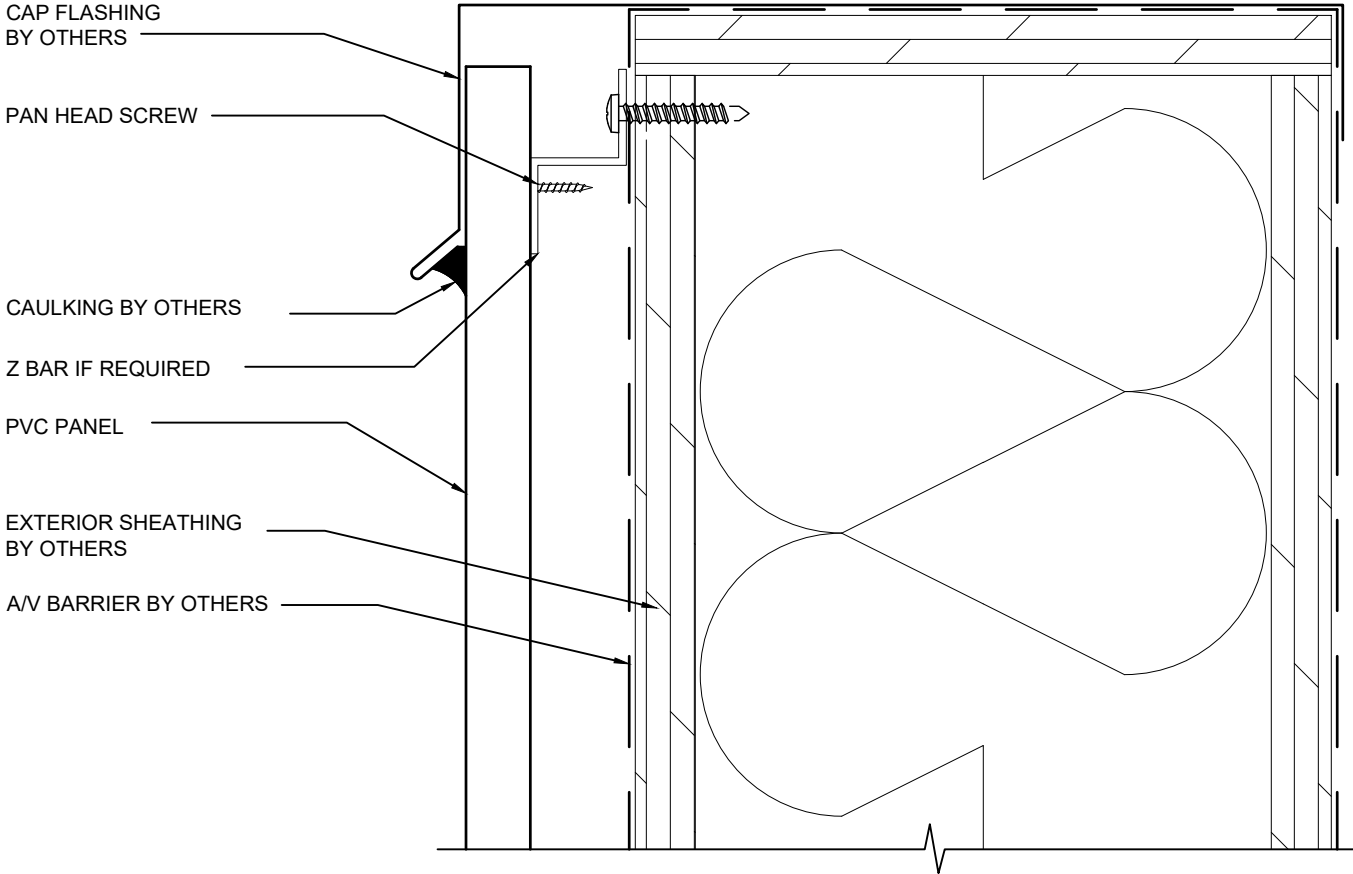
REVISIONS:			
REV:	DESCRIPTION:	BY:	DATE:
A	description	by	xx/xx/xx




HORIZ. END AT PARAPET W/CAP FLASHING

SITE: XXX	XX DRAWING NO.		XX PROJECT NO.	MM,DD,YY DATE.	 133 Romina Dr, Concord, ON L4K 4Z9 Phone: 1(888)308-8898 email: info@nortwood.com www.nortwood.com
	TITLE: END @ PARAPET WITH CAP FLASHING	1:2 SCALE AT A4.	AD DRAWN.	XX CHECKED.	

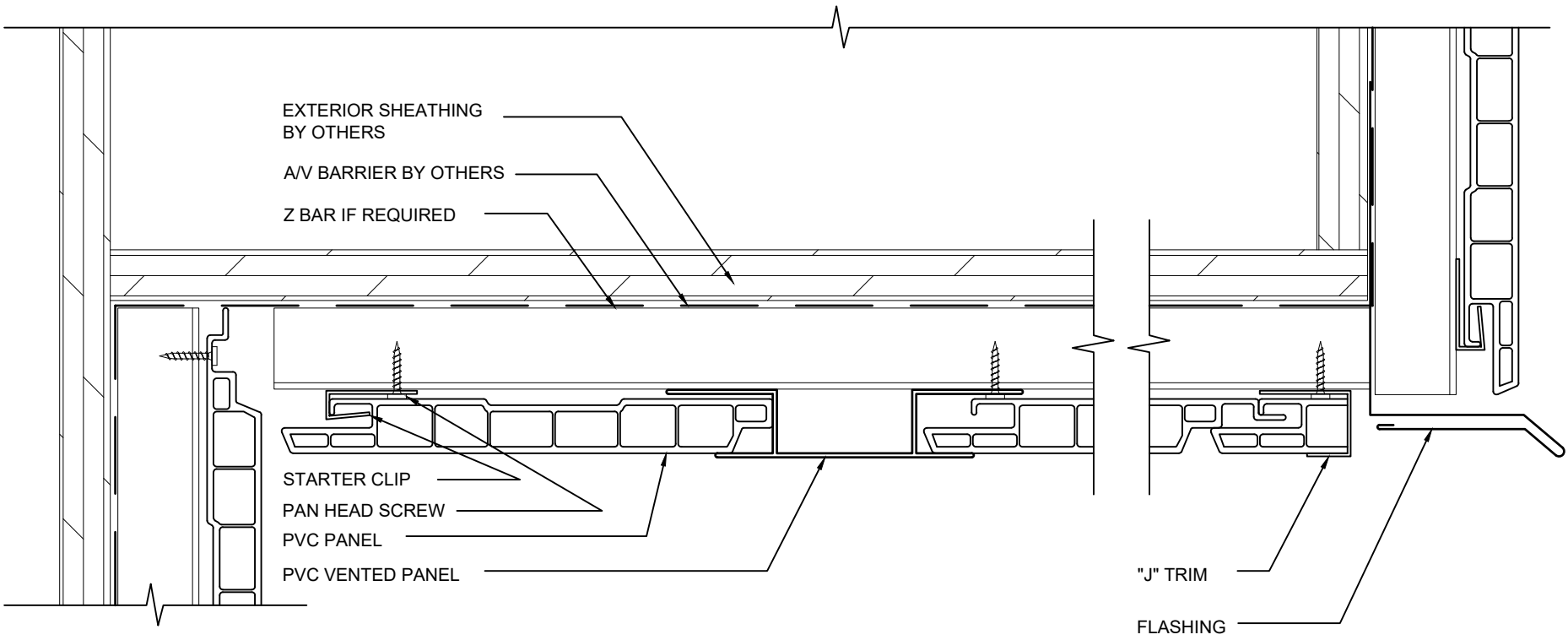
REVISIONS:			
REV:	DESCRIPTION:	BY:	DATE:
A	description	by	xx/xx/xx




VERT. END AT PARAPET W/CAP FLASHING

SITE: XXX	DRAWING NO. XX		PROJECT NO. XX	DATE. MM,DD,YY	 133 Romina Dr, Concord, ON L4K 4Z9 Phone: 1(888)308-8898 email: info@nortwood.com www.nortwood.com
	TITLE: END @ PARAPET WITH CAP FLASHING	SCALE AT A4. 1:2	DRAWN. AD	CHECKED. XX	

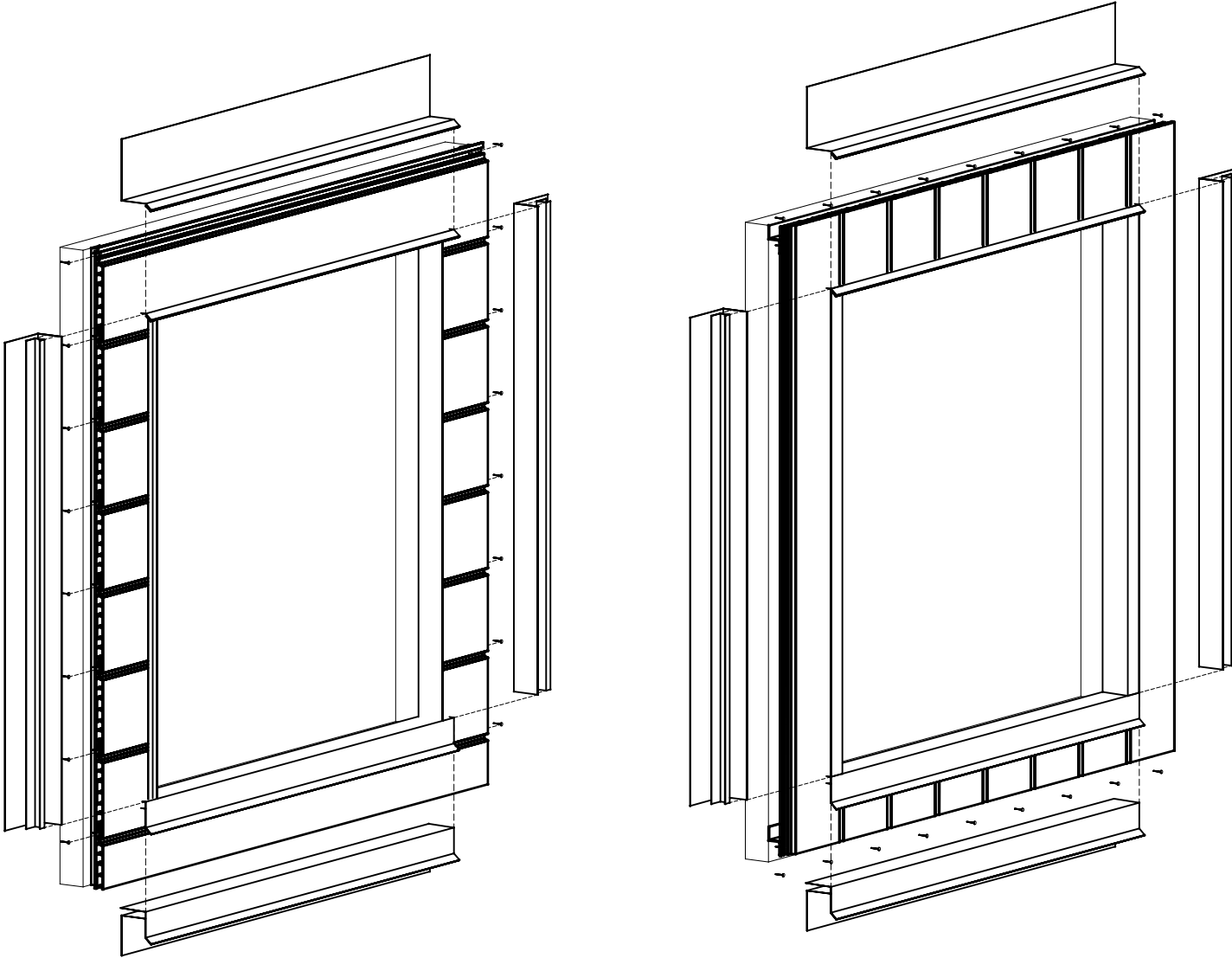
REVISIONS:			
REV:	DESCRIPTION:	BY:	DATE:
A	description	by	xx/xx/xx




SOFFIT WITH VENTED PANEL

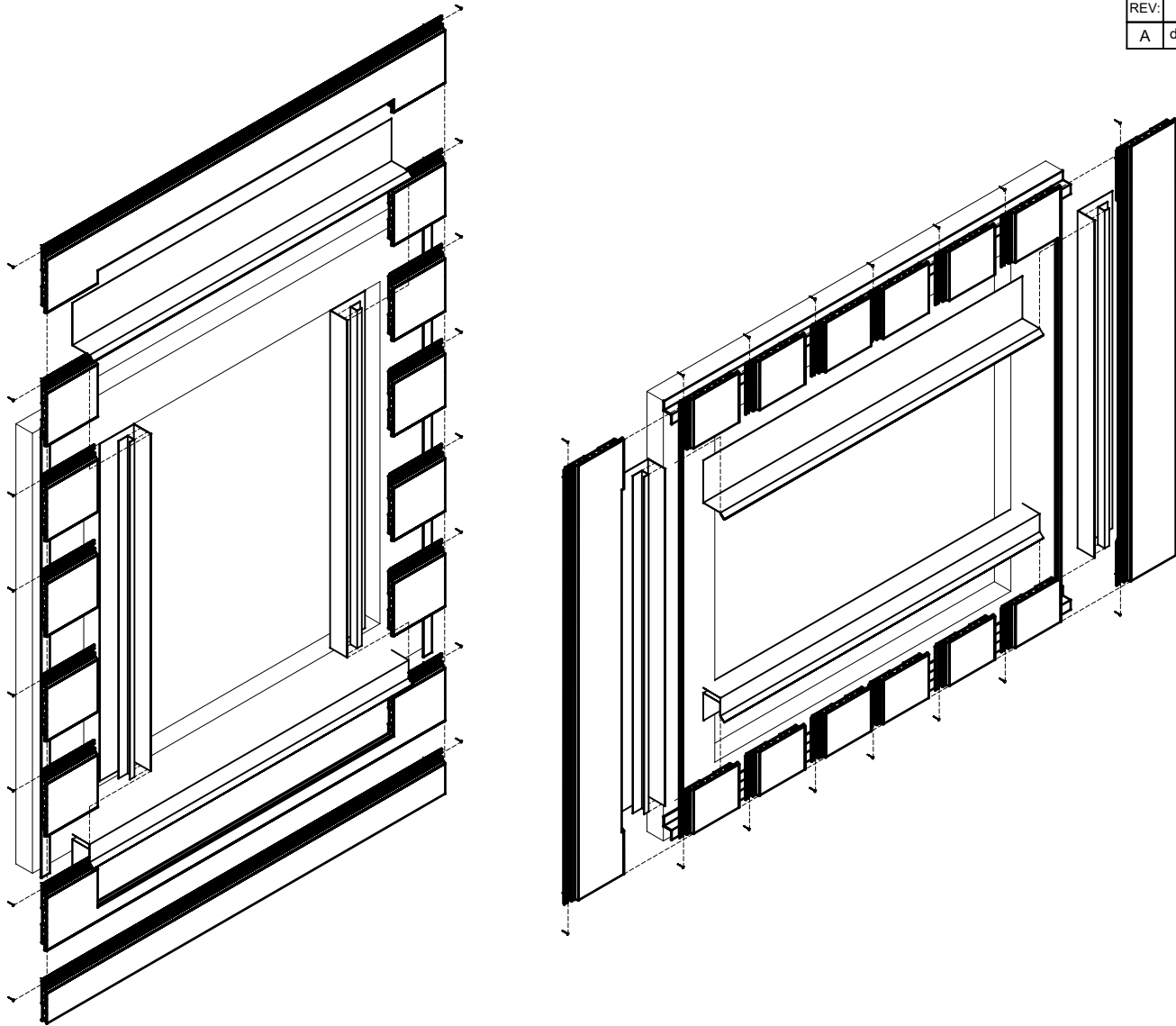
SITE: XXX	XX DRAWING NO.		XX PROJECT NO.	MM,DD,YY DATE.	 133 Romina Dr, Concord, ON L4K 4Z9 Phone: 1(888)308-8898 email: info@nortwood.com www.nortwood.com
	TITLE: END @ PARAPET WITH CAP FLASHING	1:2 SCALE AT A4.	AD DRAWN.	XX CHECKED.	


REVISIONS:			
REV:	DESCRIPTION:	BY:	DATE:
A	description	by	xx/xx/xx



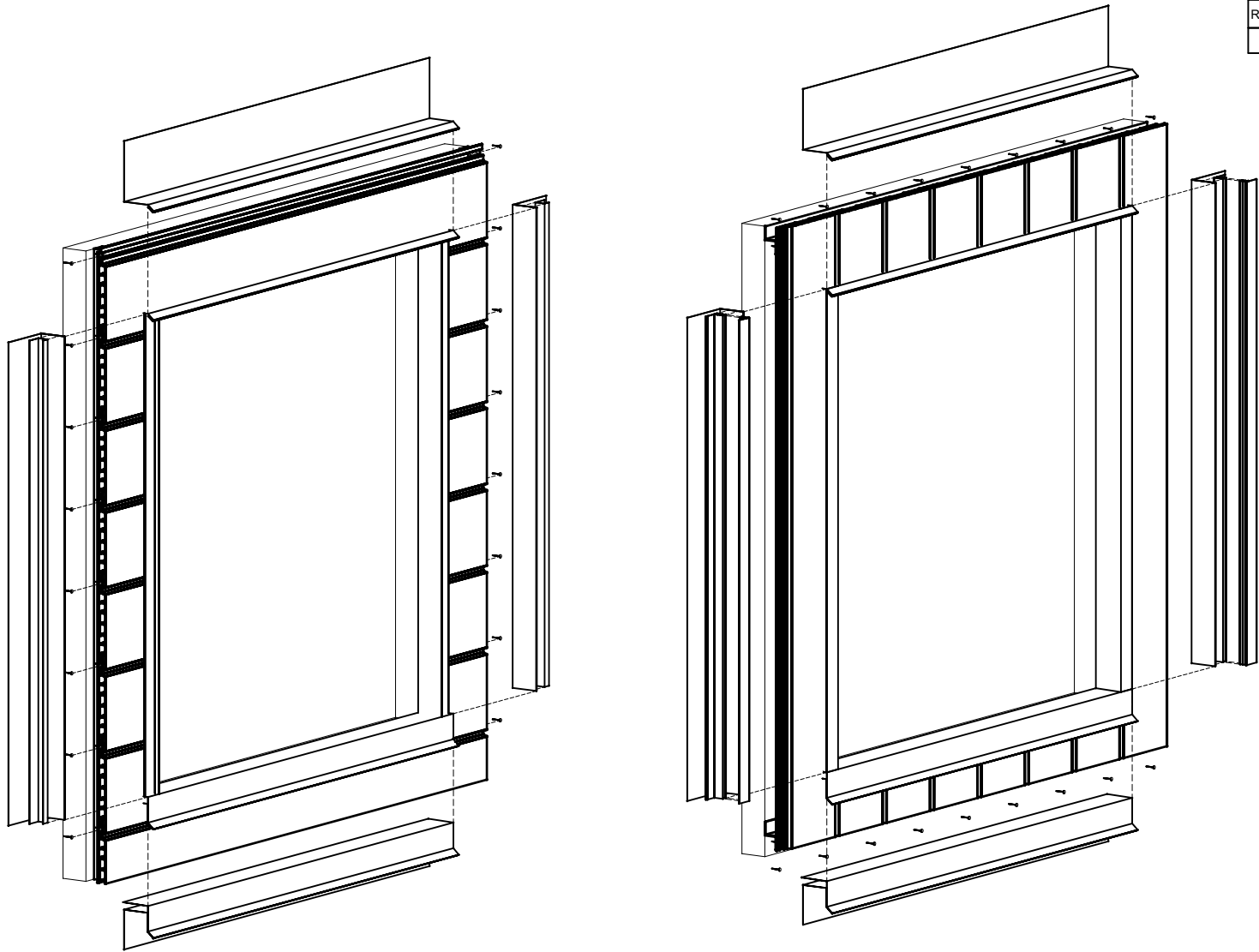
SITE: XXX	XX DRAWING NO.		XX PROJECT NO.	MM,DD,YY DATE.	 <p>133 Romina Dr, Concord, ON L4K 4Z9 Phone: 1(888)308-8898 email: info@nortwood.com www.nortwood.com</p>
TITLE: 3D	NS SCALE AT A4.	AD DRAWN.	XX CHECKED.	00 REVISION.	


REVISIONS:			
REV:	DESCRIPTION:	BY:	DATE:
A	description	by	xx/xx/xx



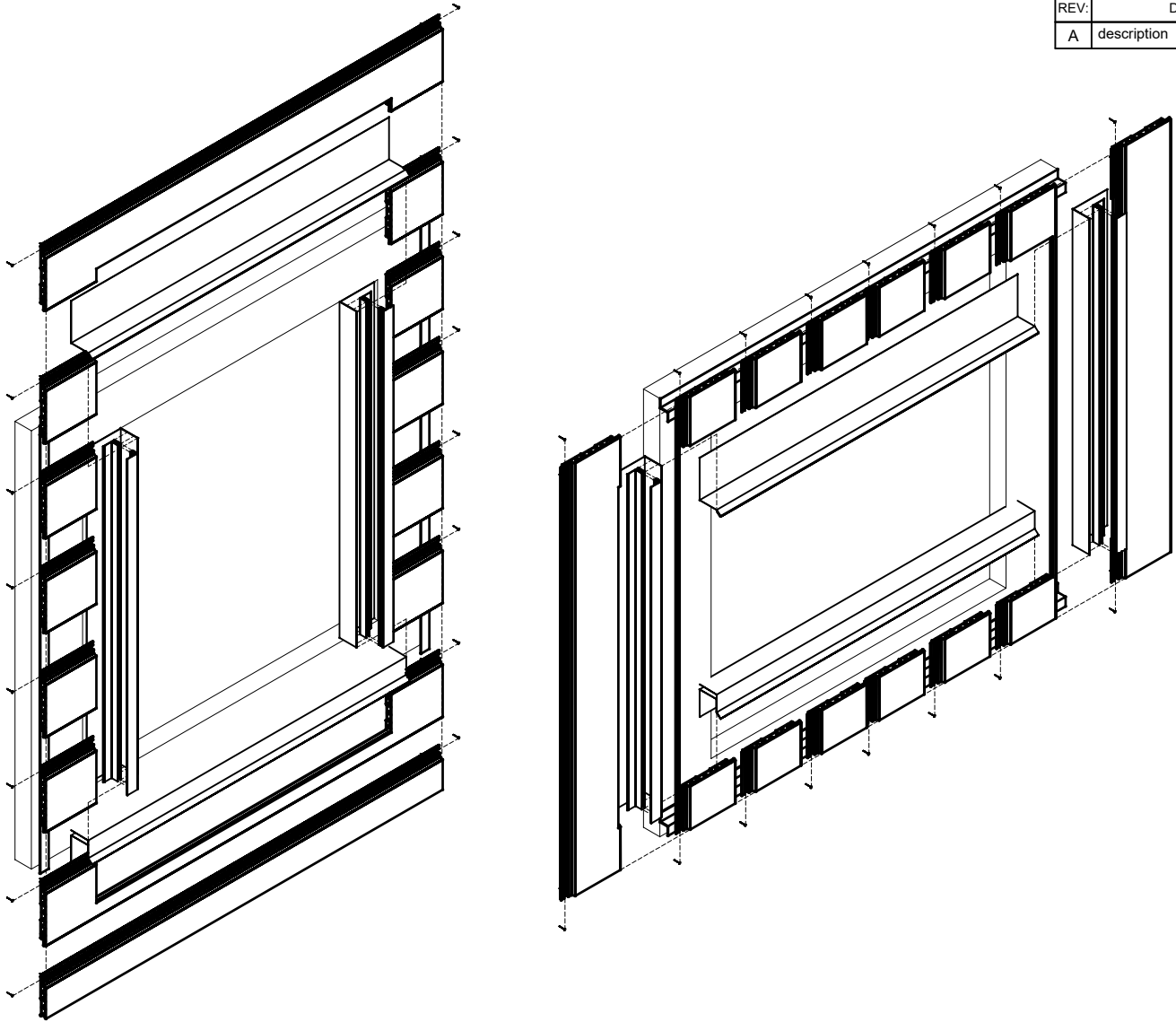
SITE: XXX	XX DRAWING NO.		XX PROJECT NO.	MM,DD,YY DATE.	 133 Romina Dr, Concord, ON L4K 4Z9 Phone: 1(888)308-8898 email: info@nortwood.com www.nortwood.com
TITLE: 3D	NS SCALE AT A4.	AD DRAWN.	XX CHECKED.	00 REVISION.	


REVISIONS:			
REV:	DESCRIPTION:	BY:	DATE:
A	description	by	xx/xx/xx

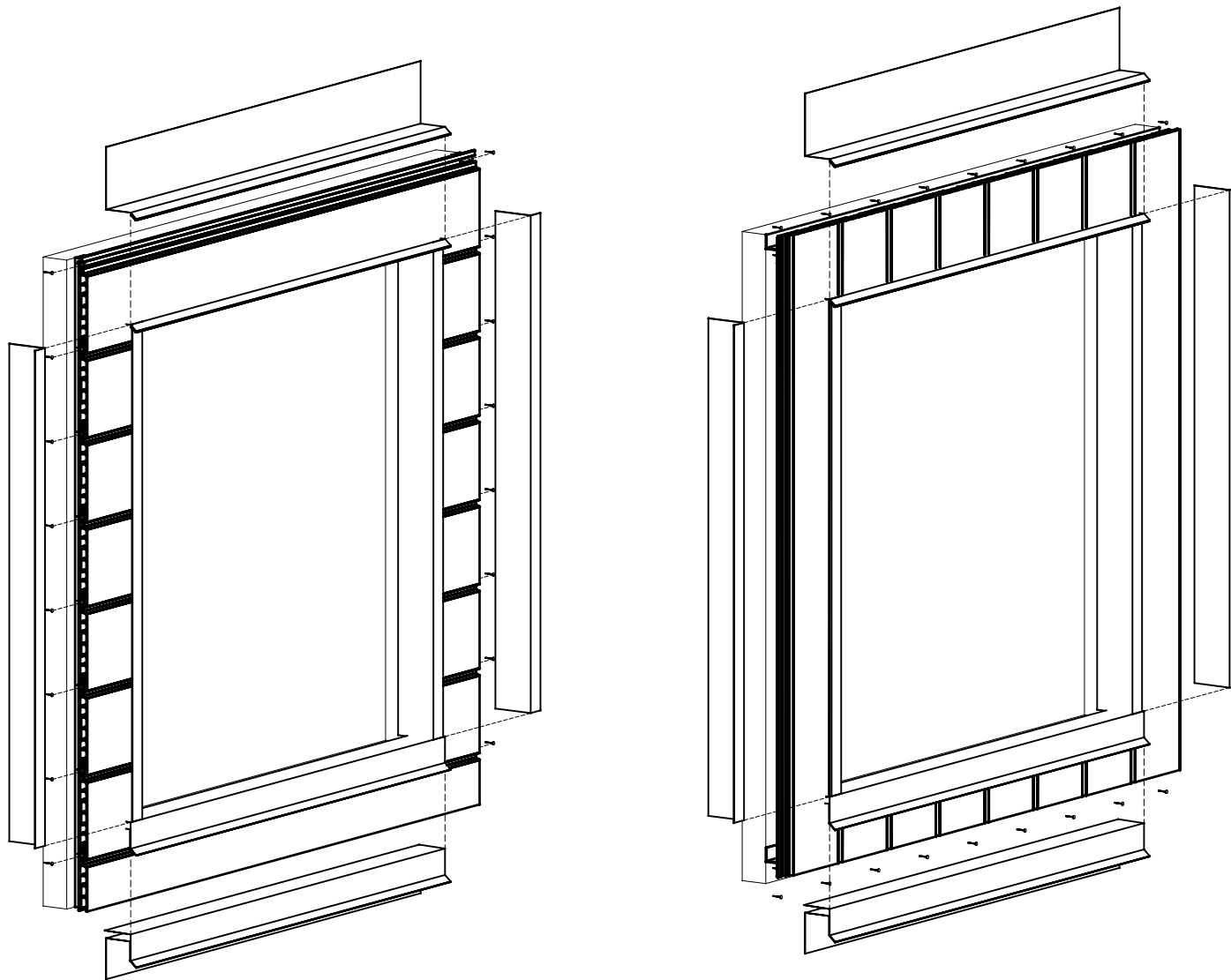


SITE: XXX	XX		XX	MM,DD,YY	 133 Romina Dr, Concord, ON L4K 4Z9 Phone: 1(888)308-8898 email: info@nortwood.com www.nortwood.com
	DRAWING NO.	PROJECT NO.	DATE.		
TITLE: 3D	NS	AD	XX	00	
	SCALE AT A4.	DRAWN.	CHECKED.	REVISION.	


REVISIONS:			
REV:	DESCRIPTION:	BY:	DATE:
A	description	by	xx/xx/xx



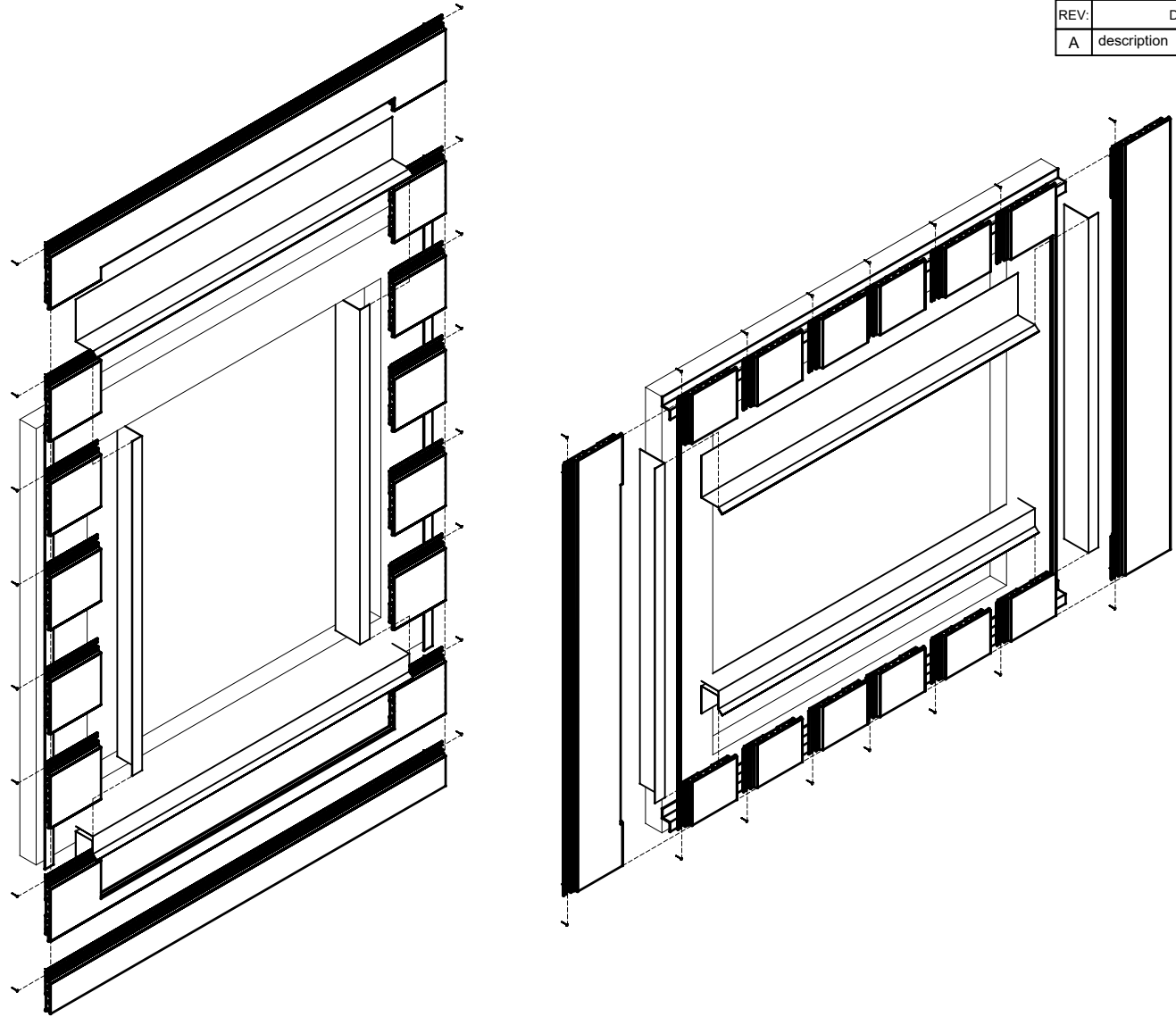
SITE: XXX	XX DRAWING NO.		XX PROJECT NO.	MM,DD,YY DATE.	 <p>133 Romina Dr, Concord, ON L4K 4Z9 Phone: 1(888)308-8898 email: info@nortwood.com www.nortwood.com</p>
TITLE: 3D	NS SCALE AT A4.	AD DRAWN.	XX CHECKED.	00 REVISION.	




REVISIONS:			
REV:	DESCRIPTION:	BY:	DATE:
A	description	by	xx/xx/xx

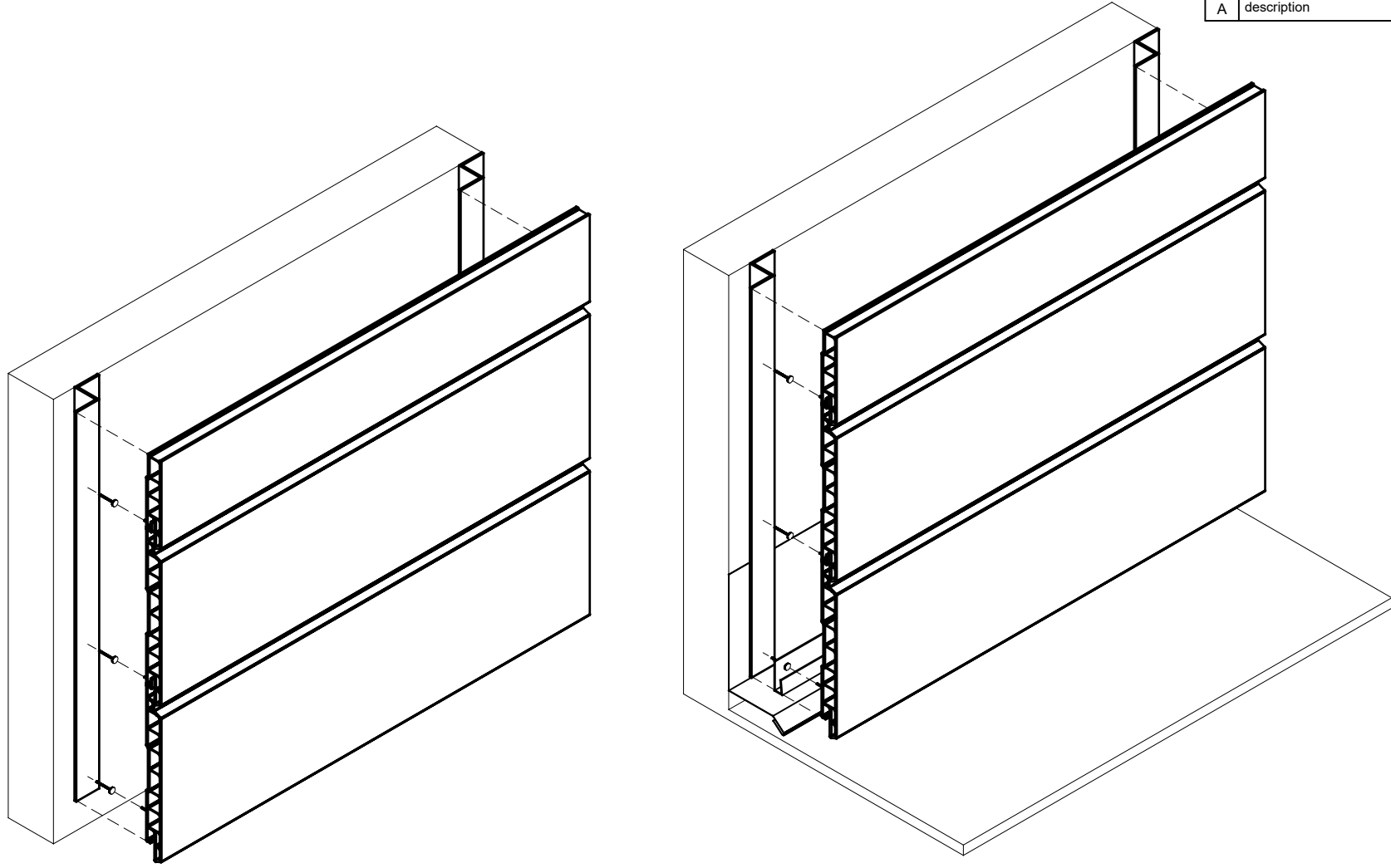
SITE: XXX	XX		XX	MM,DD,YY	 133 Romina Dr, Concord, ON L4K 4Z9 Phone: 1(888)308-8898 email: info@nortwood.com www.nortwood.com
	DRAWING NO.		PROJECT NO.	DATE.	
TITLE: 3D	NS	AD	XX	00	
	SCALE AT A4.	DRAWN.	CHECKED.	REVISION.	


REVISIONS:			
REV:	DESCRIPTION:	BY:	DATE:
A	description	by	xx/xx/xx



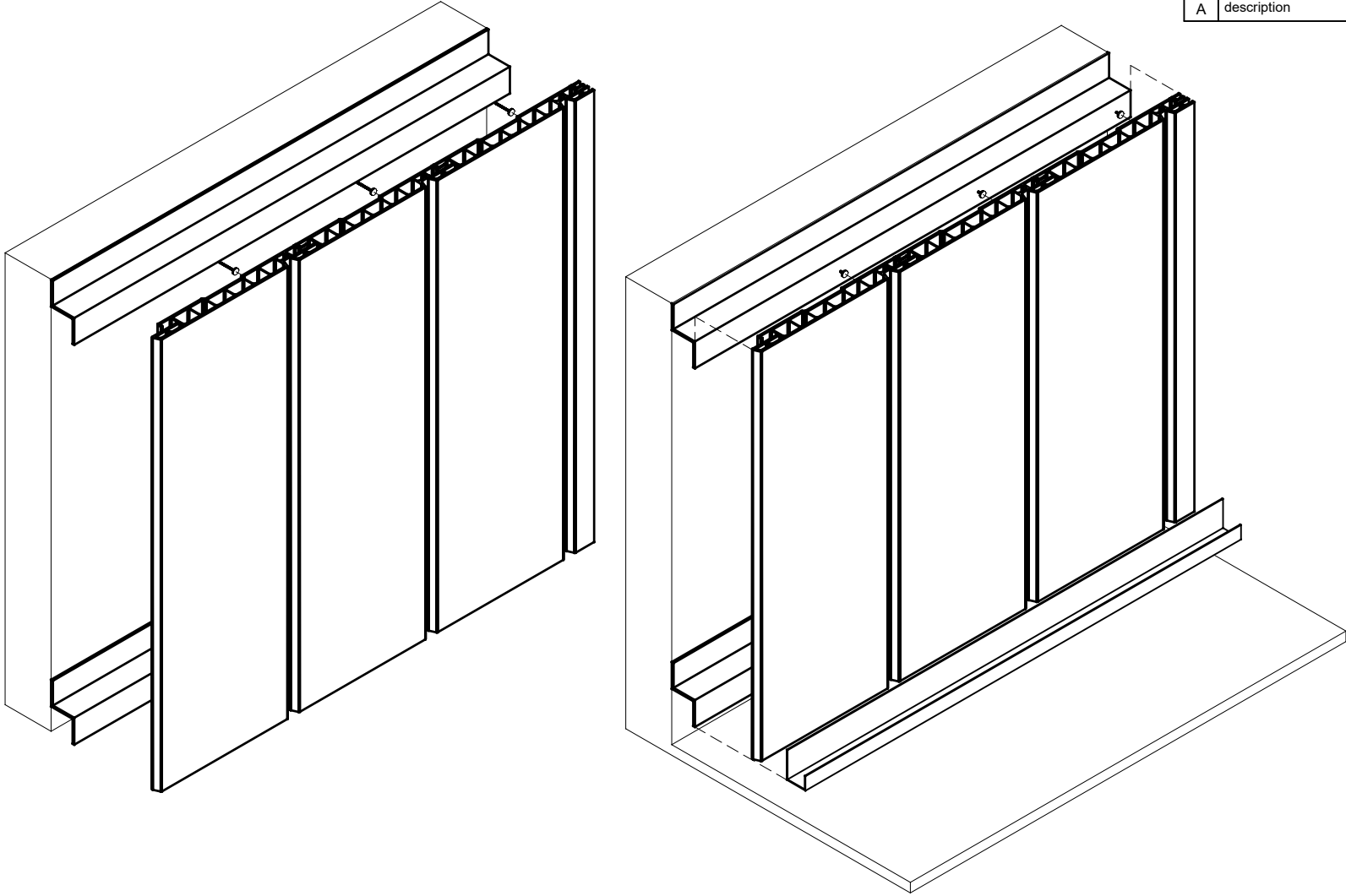
SITE: XXX	XX DRAWING NO.		XX PROJECT NO.	MM,DD,YY DATE.	 <p>133 Romina Dr, Concord, ON L4K 4Z9 Phone: 1(888)308-8898 email: info@nortwood.com www.nortwood.com</p>
TITLE: 3D	NS SCALE AT A4.	AD DRAWN.	XX CHECKED.	00 REVISION.	


REVISIONS:			
REV:	DESCRIPTION:	BY:	DATE:
A	description	by	xx/xx/xx



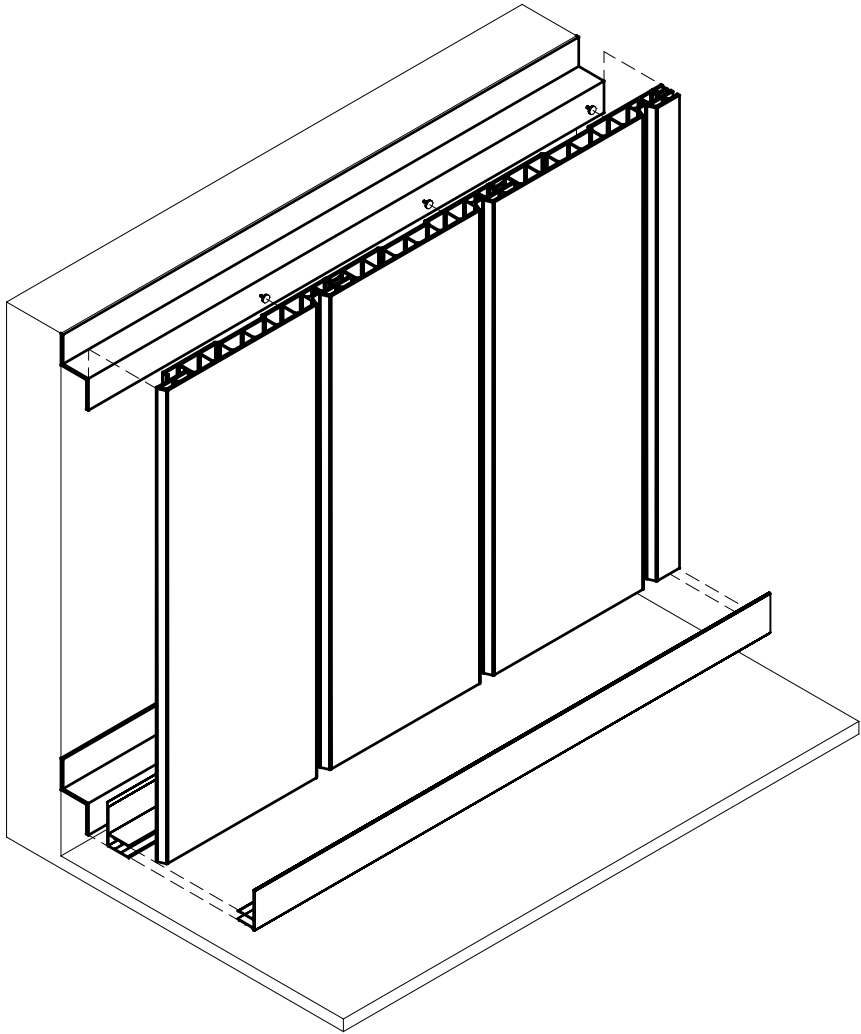
SITE: XXX	XX DRAWING NO.		XX PROJECT NO.	MM,DD,YY DATE.	 133 Romina Dr, Concord, ON L4K 4Z9 Phone: 1(888)308-8898 email: info@nortwood.com www.nortwood.com
TITLE: 3D	NS SCALE AT A4.	AD DRAWN.	XX CHECKED.	00 REVISION.	


REVISIONS:			
REV:	DESCRIPTION:	BY:	DATE:
A	description	by	xx/xx/xx



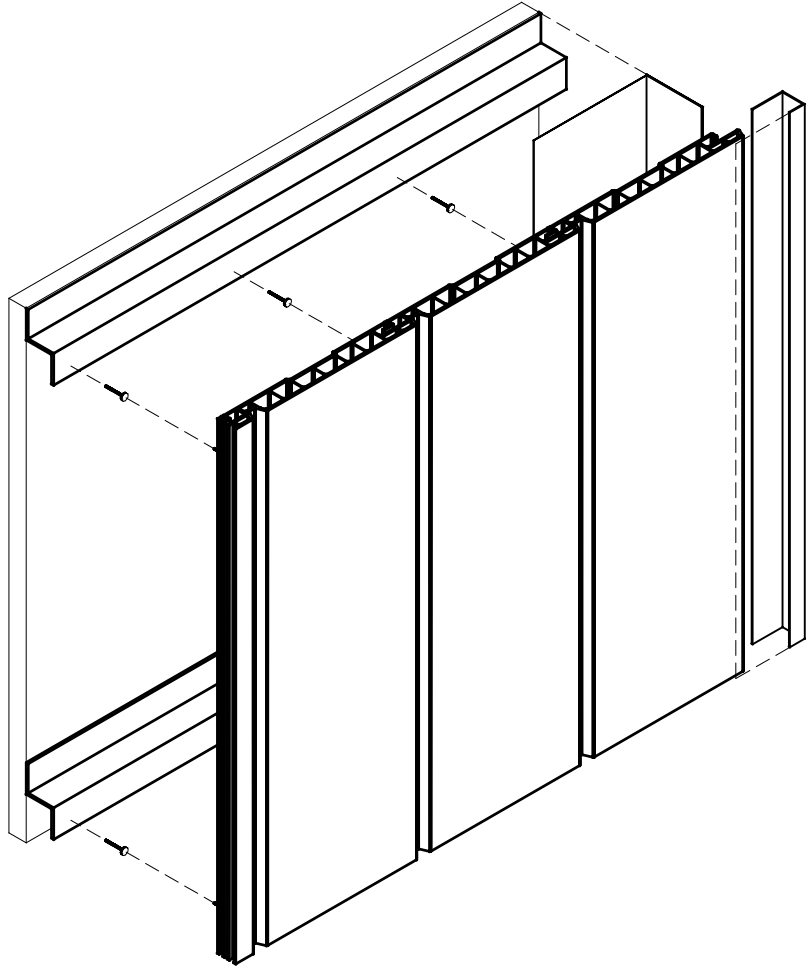
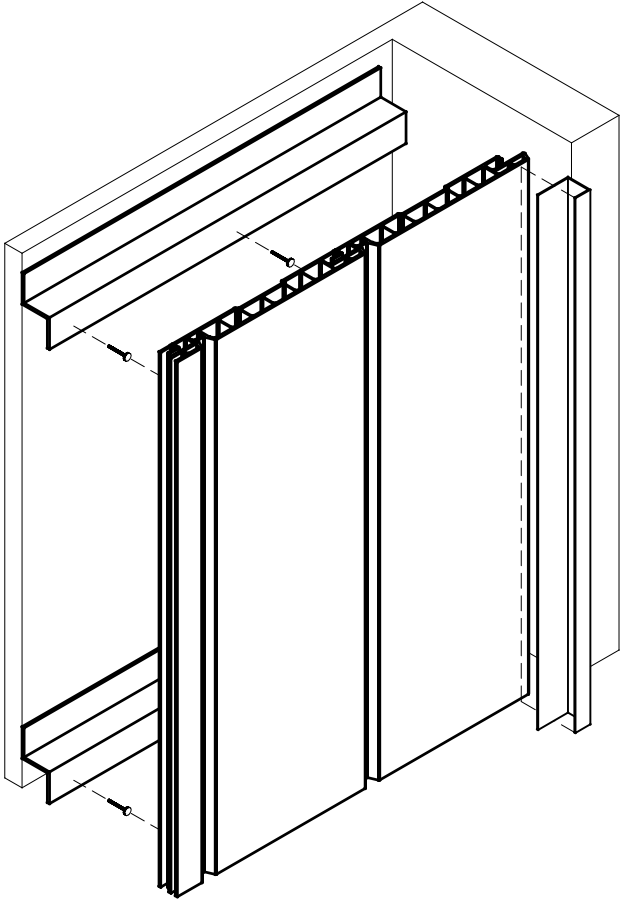
SITE: XXX	XX DRAWING NO.		XX PROJECT NO.	MM,DD,YY DATE.	 133 Romina Dr, Concord, ON L4K 4Z9 Phone: 1(888)308-8898 email: info@nortwood.com www.nortwood.com
	TITLE: 3D	NS SCALE AT A4.	AD DRAWN.	XX CHECKED.	


REVISIONS:			
REV:	DESCRIPTION:	BY:	DATE:
A	description	by	xx/xx/xx



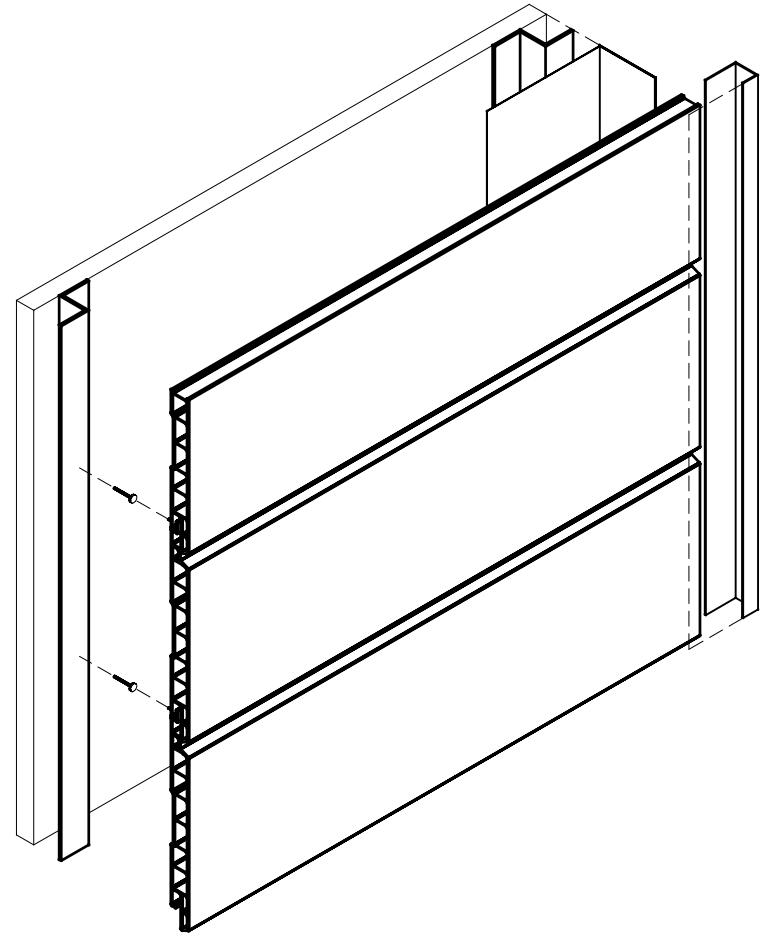
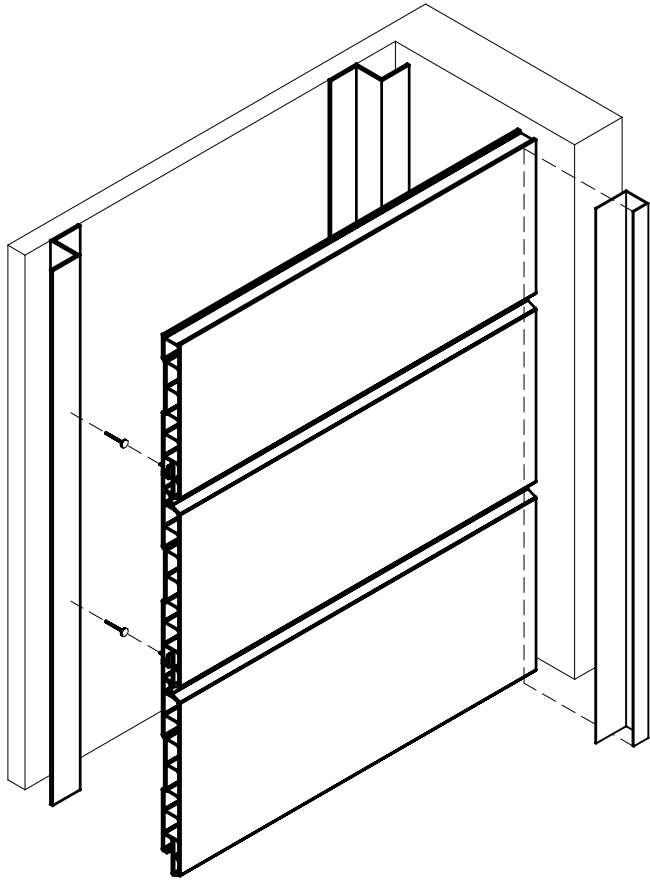
SITE: XXX	XX DRAWING NO.	XX PROJECT NO.	MM,DD,YY DATE.	 133 Romina Dr, Concord, ON L4K 4Z9 Phone: 1(888)308-8898 email: info@nortwood.com www.nortwood.com
TITLE: 3D	NS SCALE AT A4.	AD DRAWN.	XX CHECKED.	


REVISIONS:			
REV:	DESCRIPTION:	BY:	DATE:
A	description	by	xx/xx/xx



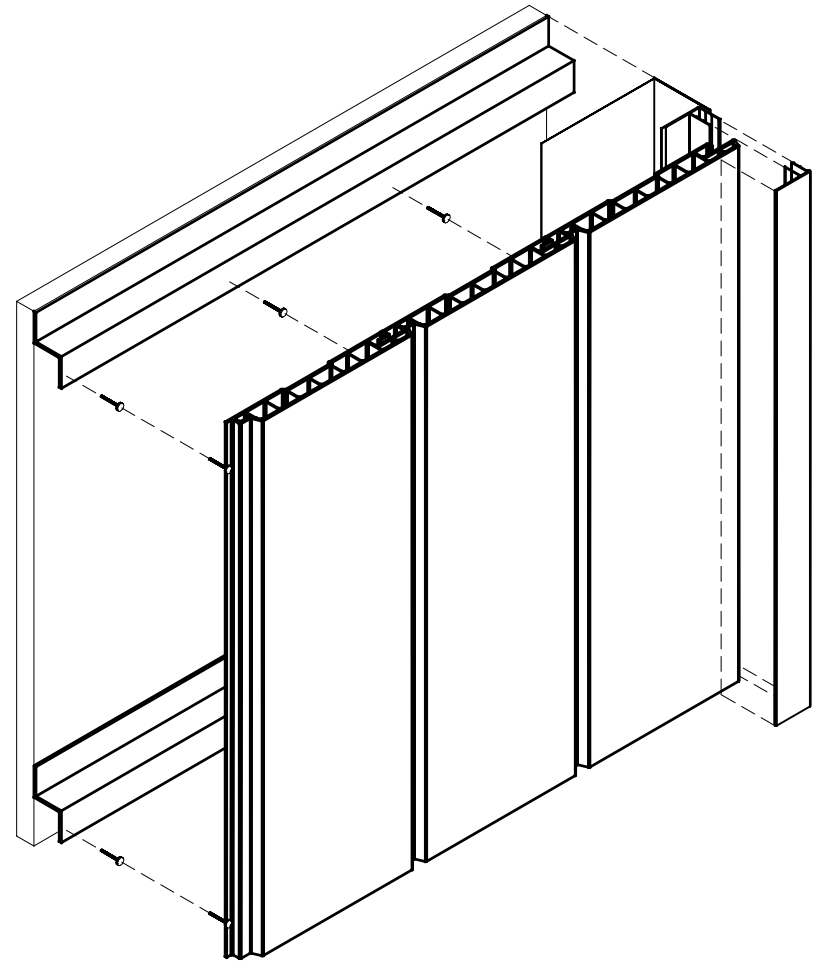
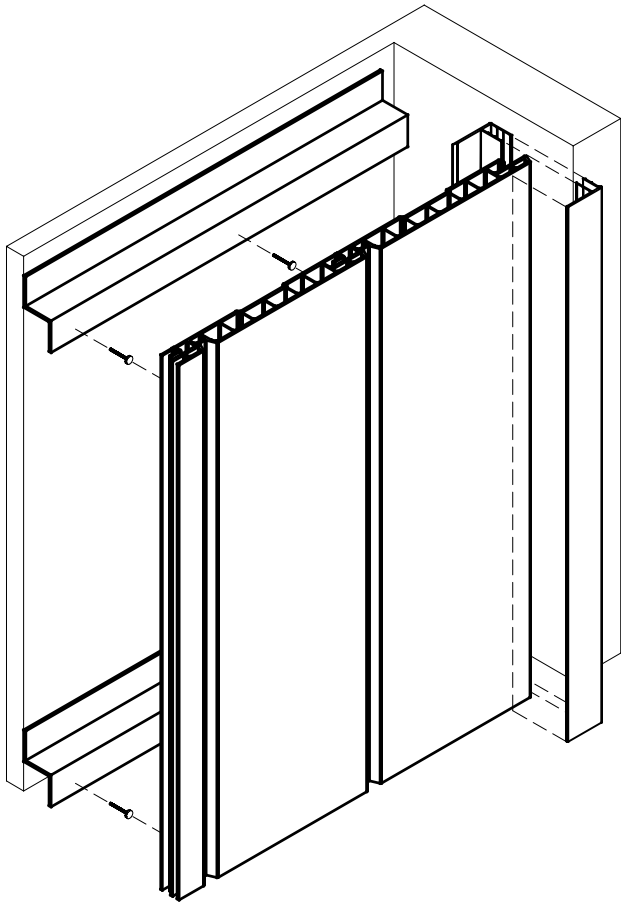
SITE: XXX	XX		XX	MM,DD,YY	 133 Romina Dr, Concord, ON L4K 4Z9 Phone: 1(888)308-8898 email: info@nortwood.com www.nortwood.com
	DRAWING NO.		PROJECT NO.	DATE.	
TITLE: 3D	NS	AD	XX	00	
	SCALE AT A4.	DRAWN.	CHECKED.	REVISION.	


REVISIONS:			
REV:	DESCRIPTION:	BY:	DATE:
A	description	by	xx/xx/xx



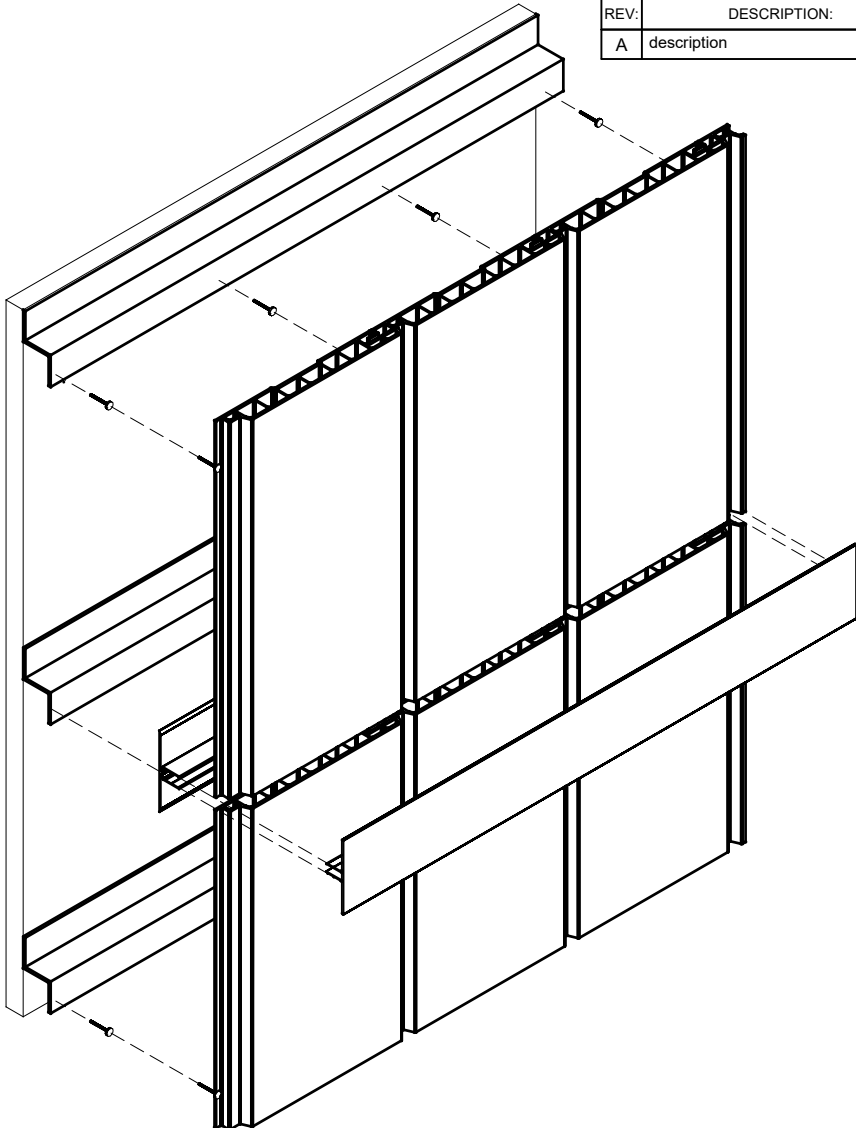
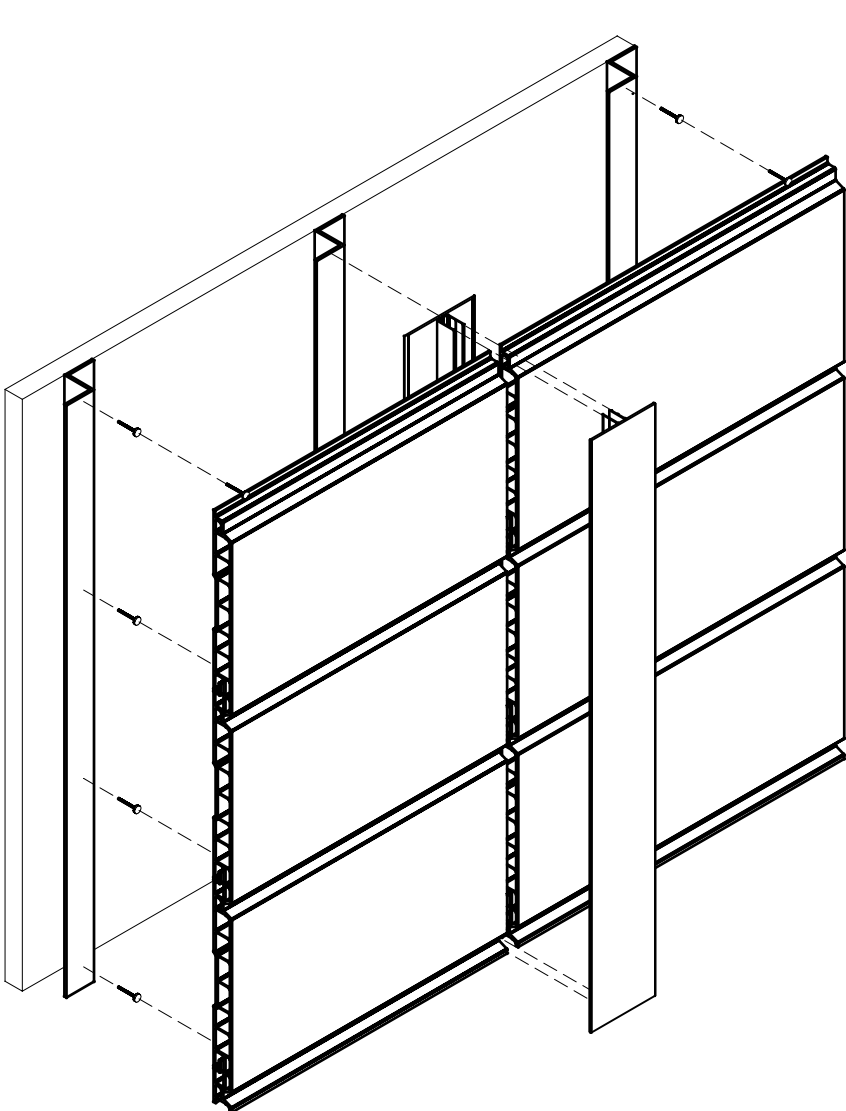
SITE: XXX	XX DRAWING NO.		XX PROJECT NO.	MM,DD,YY DATE.	 133 Romina Dr, Concord, ON L4K 4Z9 Phone: 1(888)308-8898 email: info@nortwood.com www.nortwood.com
TITLE: 3D	NS SCALE AT A4.	AD DRAWN.	XX CHECKED.	00 REVISION.	


REVISIONS:			
REV:	DESCRIPTION:	BY:	DATE:
A	description	by	xx/xx/xx

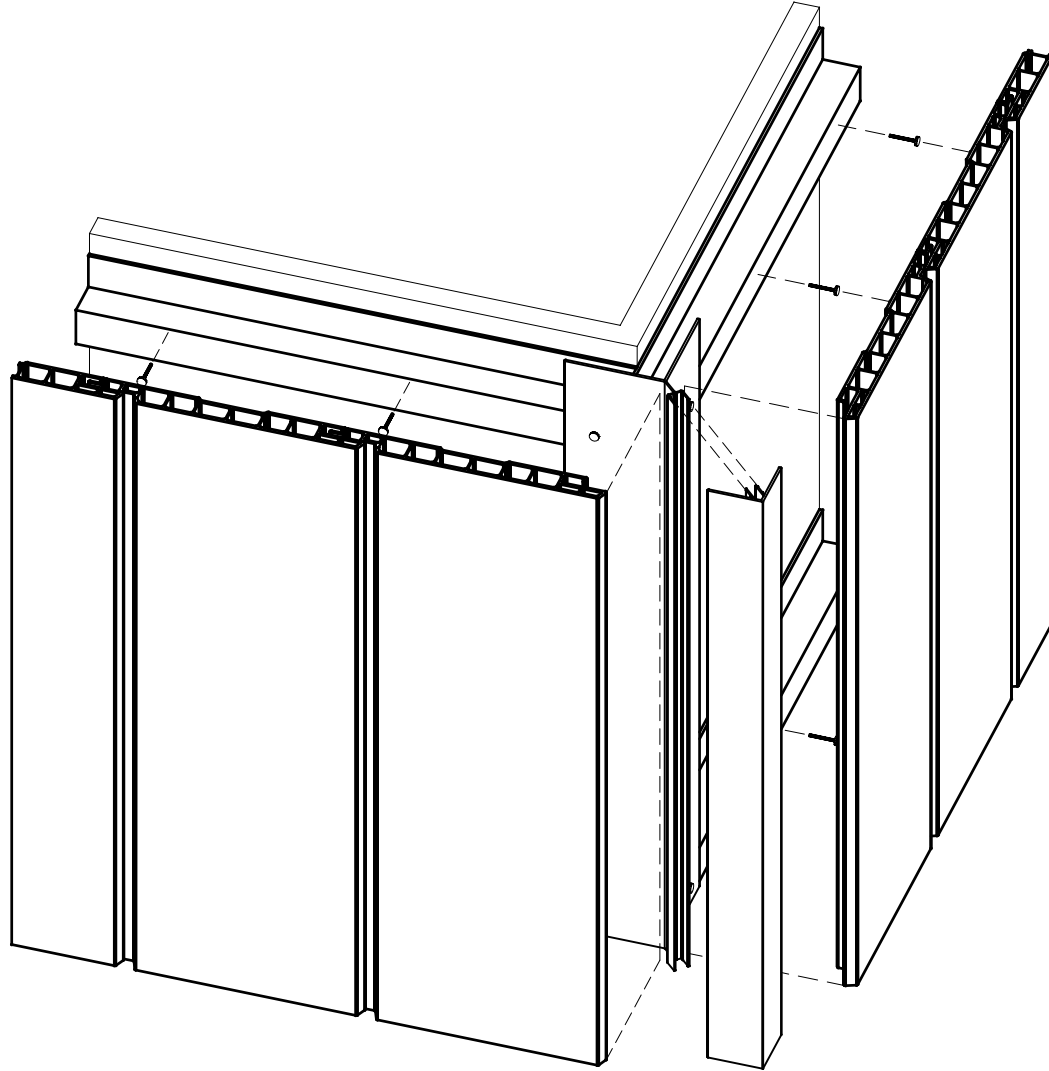


SITE: XXX	XX DRAWING NO.		XX PROJECT NO.	MM,DD,YY DATE.	 <p>133 Romina Dr, Concord, ON L4K 4Z9 Phone: 1(888)308-8898 email: info@nortwood.com www.nortwood.com</p>
TITLE: 3D	NS SCALE AT A4.	AD DRAWN.	XX CHECKED.	00 REVISION.	


REVISIONS:			
REV:	DESCRIPTION:	BY:	DATE:
A	description	by	xx/xx/xx



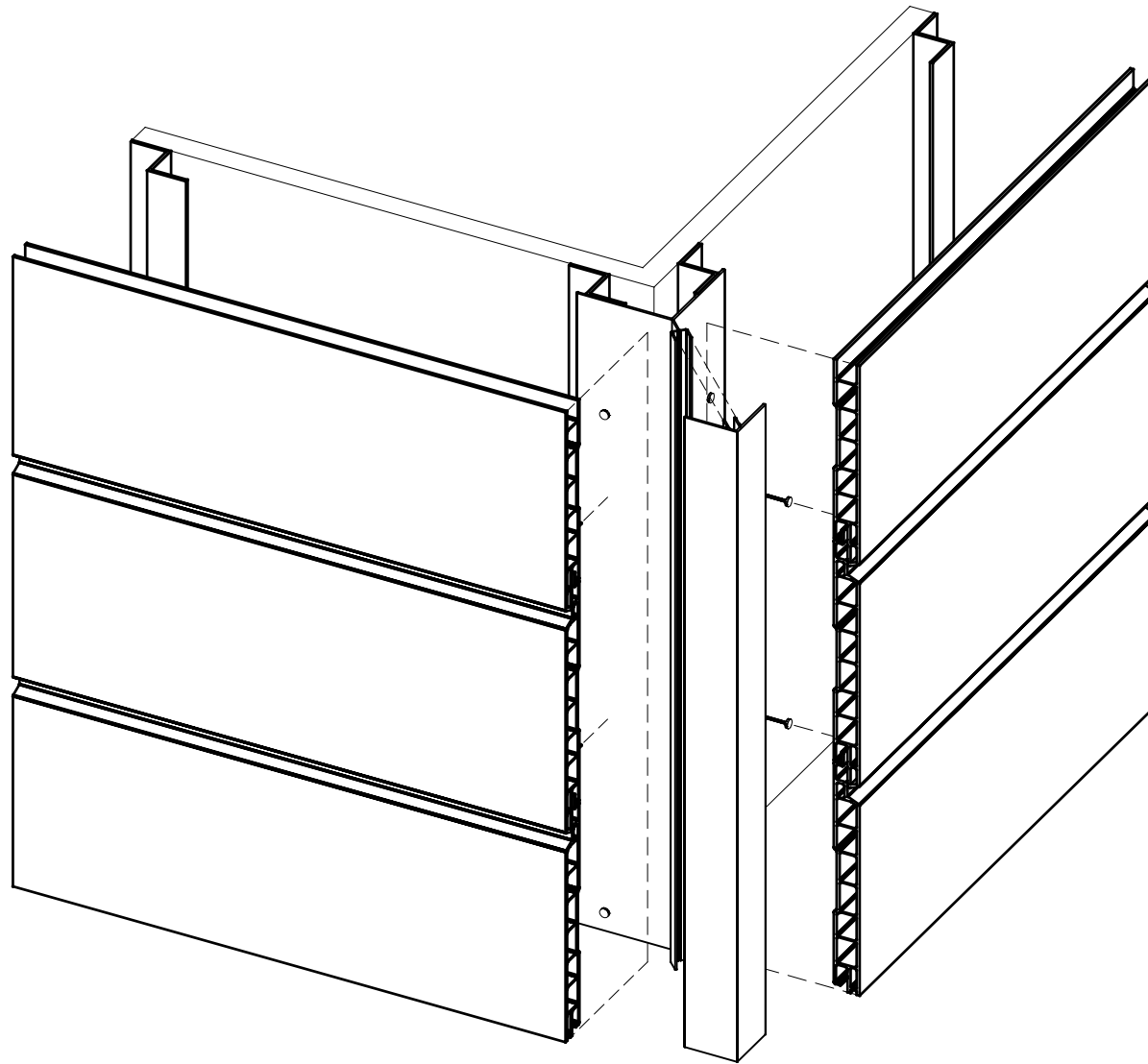
SITE: XXX	XX		XX	MM,DD,YY	 133 Romina Dr, Concord, ON L4K 4Z9 Phone: 1(888)308-8898 email: info@nortwood.com www.nortwood.com
	DRAWING NO.		PROJECT NO.	DATE.	
TITLE: 3D	NS	AD	XX	00	
	SCALE AT A4.	DRAWN.	CHECKED.	REVISION.	




REVISIONS:			
REV:	DESCRIPTION:	BY:	DATE:
A	description	by	xx/xx/xx

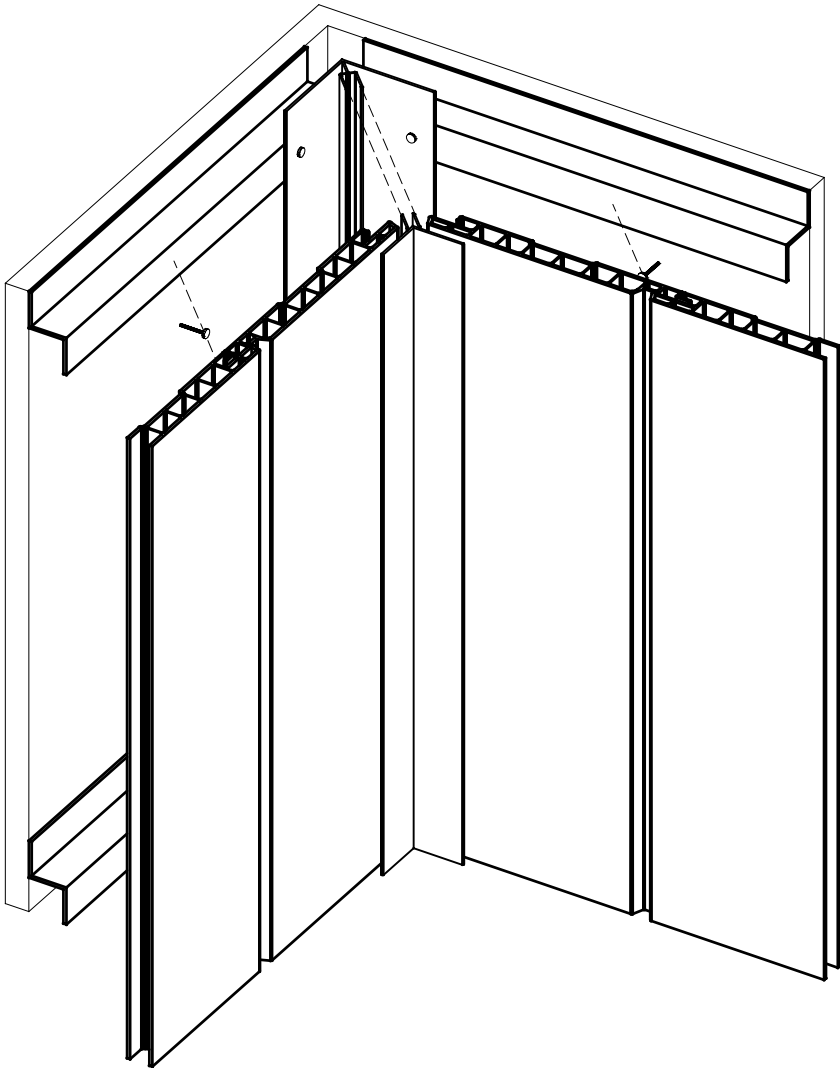
SITE: XXX	XX DRAWING NO.		XX PROJECT NO.	MM,DD,YY DATE.	 133 Romina Dr, Concord, ON L4K 4Z9 Phone: 1(888)308-8898 email: info@nortwood.com www.nortwood.com
	NS SCALE AT A4.	AD DRAWN.	XX CHECKED.	00 REVISION.	
TITLE: 3D					


REVISIONS:			
REV:	DESCRIPTION:	BY:	DATE:
A	description	by	xx/xx/xx



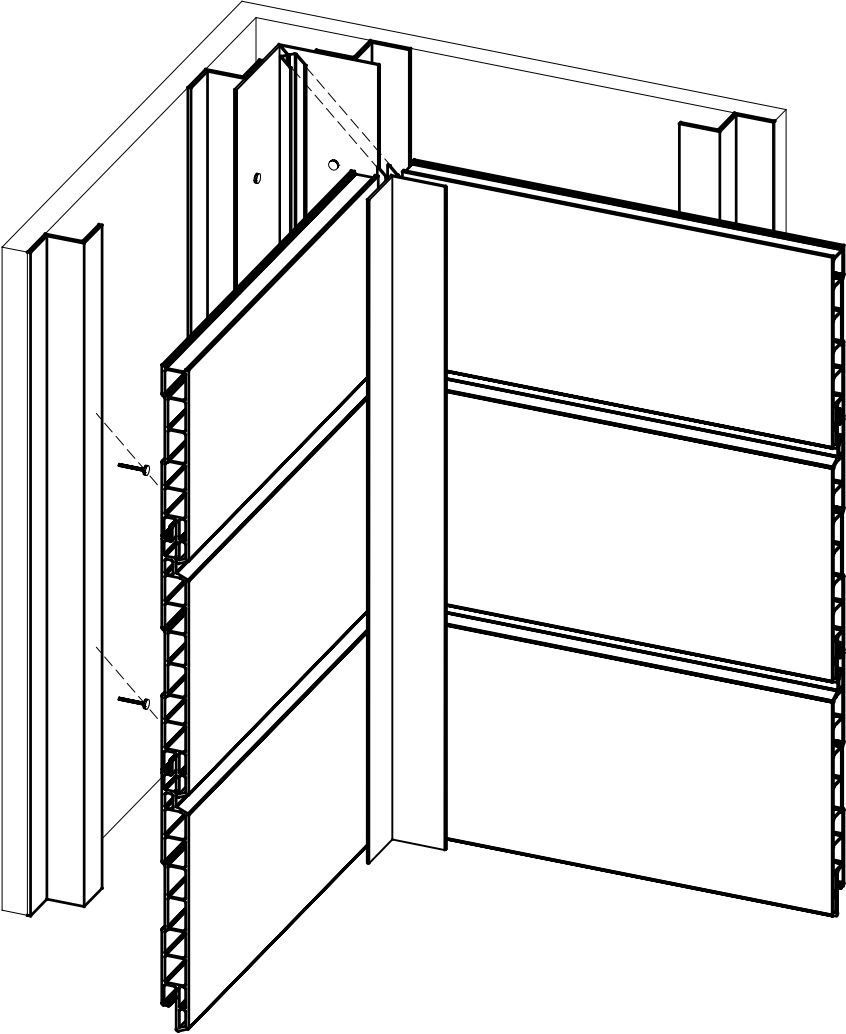
SITE: XXX	XX DRAWING NO.	XX PROJECT NO.	MM,DD,YY DATE.	 <p>133 Romina Dr, Concord, ON L4K 4Z9 Phone: 1(888)308-8898 email: info@nortwood.com www.nortwood.com</p>
TITLE: 3D	NS SCALE AT A4.	AD DRAWN.	XX CHECKED.	


REVISIONS:			
REV:	DESCRIPTION:	BY:	DATE:
A	description	by	xx/xx/xx



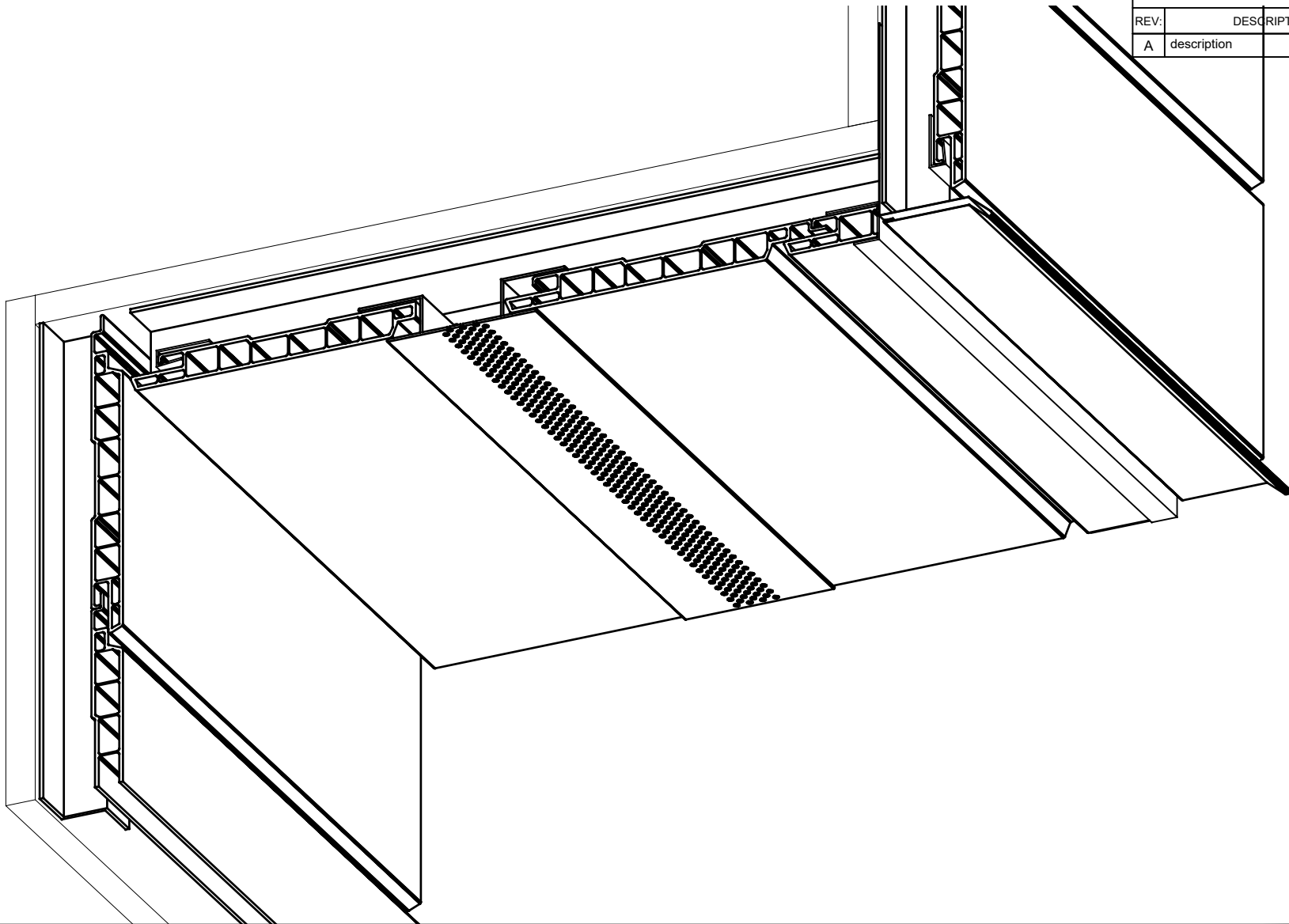
SITE: XXX	XX DRAWING NO.		XX PROJECT NO.	MM,DD,YY DATE.	 <p>133 Romina Dr, Concord, ON L4K 4Z9 Phone: 1(888)308-8898 email: info@nortwood.com www.nortwood.com</p>
TITLE: 3D	NS SCALE AT A4.	AD DRAWN.	XX CHECKED.	00 REVISION.	


REVISIONS:			
REV:	DESCRIPTION:	BY:	DATE:
A	description	by	xx/xx/xx



SITE: XXX	XX DRAWING NO.	XX PROJECT NO.	MM,DD,YY DATE.	 133 Romina Dr, Concord, ON L4K 4Z9 Phone: 1(888)308-8898 email: info@nortwood.com www.nortwood.com
TITLE: 3D	NS SCALE AT A4.	AD DRAWN.	XX CHECKED.	

REVISIONS:			
REV:	DESCRIPTION:	BY:	DATE:
A	description	by	xx/xx/xx



SITE: XXX	XX DRAWING NO.	XX PROJECT NO.	MM,DD,YY DATE.	 <p>133 Romina Dr, Concord, ON L4K 4Z9 Phone: 1(888)308-8898 email: info@nortwood.com www.nortwood.com</p>
TITLE: 3D	NS SCALE AT A4.	AD DRAWN.	XX CHECKED.	