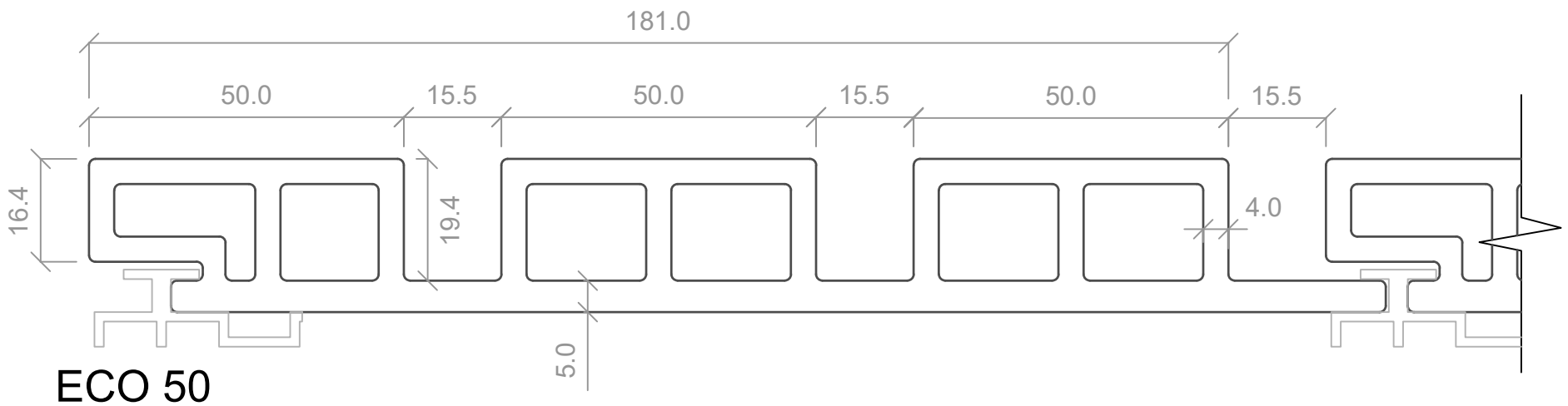
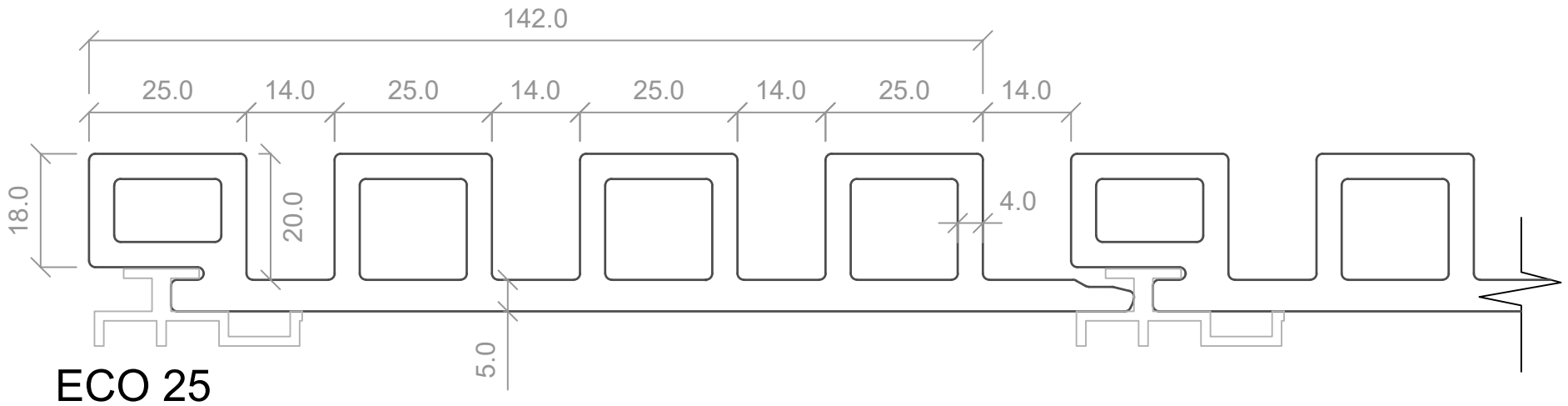



| REVISIONS: | | | |
|------------|--------------|-----|----------|
| REV: | DESCRIPTION: | BY: | DATE: |
| A | description | by | xx/xx/xx |



| | | | | | |
|--------------|-----------------------|---------------------|-------------------|-------------------|---|
| SITE: XXX | XX DRAWING NO. | | XX PROJECT NO. | MM,DD,YY DATE. |  <p>133 Romina Dr, Concord, ON L4K 4Z9 Phone: 1(888)308-8898 email: info@nortwood.com www.nortwood.com</p> |
| | TITLE: PANEL SIZES | 1:1 SCALE AT A4. | AD DRAWN. | XX CHECKED. | |

| REVISIONS: | | | |
|------------|--------------|-----|----------|
| REV: | DESCRIPTION: | BY: | DATE: |
| A | description | by | xx/xx/xx |

EXTERIOR SHEATHING
BY OTHERS

A/V BARRIER BY OTHERS

NORTWOOD PANEL

Z BAR IF REQUIRED

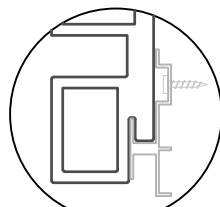
PAN HEAD SCREW

STARTER CLIP

FLASHING

CAULKING W/BACKER ROD
BY OTHERS

WINDOW HEAD



Tip: For small areas, flipped clips
can consider as a Starter

HORIZ. INST. AT WINDOW HEAD

SITE:

XXX

XX

DRAWING NO.

XX

PROJECT NO.

MM,DD,YY

DATE.

TITLE:

JOINT DETAIL @ WINDOW HEAD

1:2

SCALE AT A4.

AD

DRAWN.

XX

CHECKED.

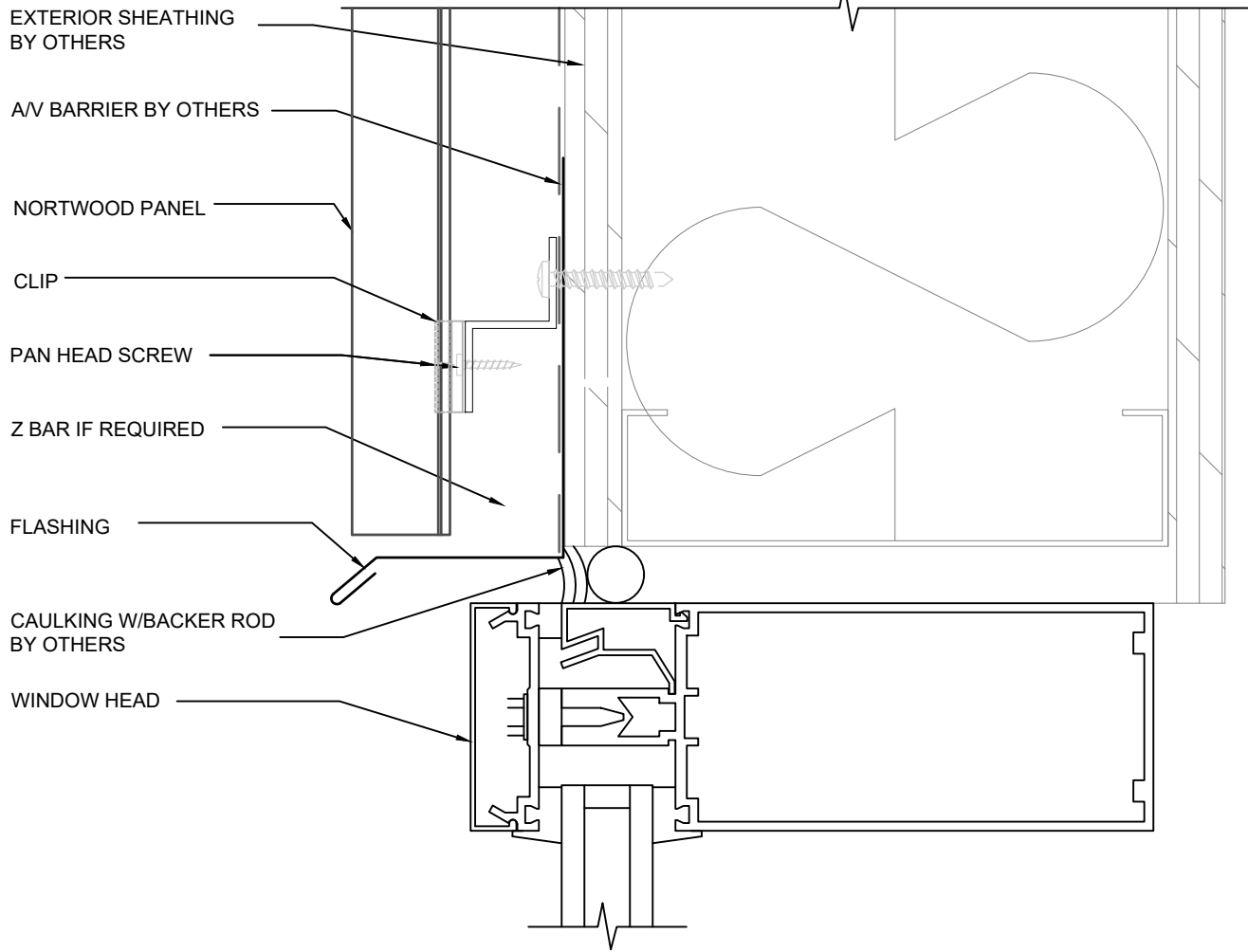
00

REVISION.


NORTWOOD

133 Romina Dr, Concord, ON L4K 4Z9
Phone: 1(888)308-8898 email: info@nortwood.com
www.nortwood.com

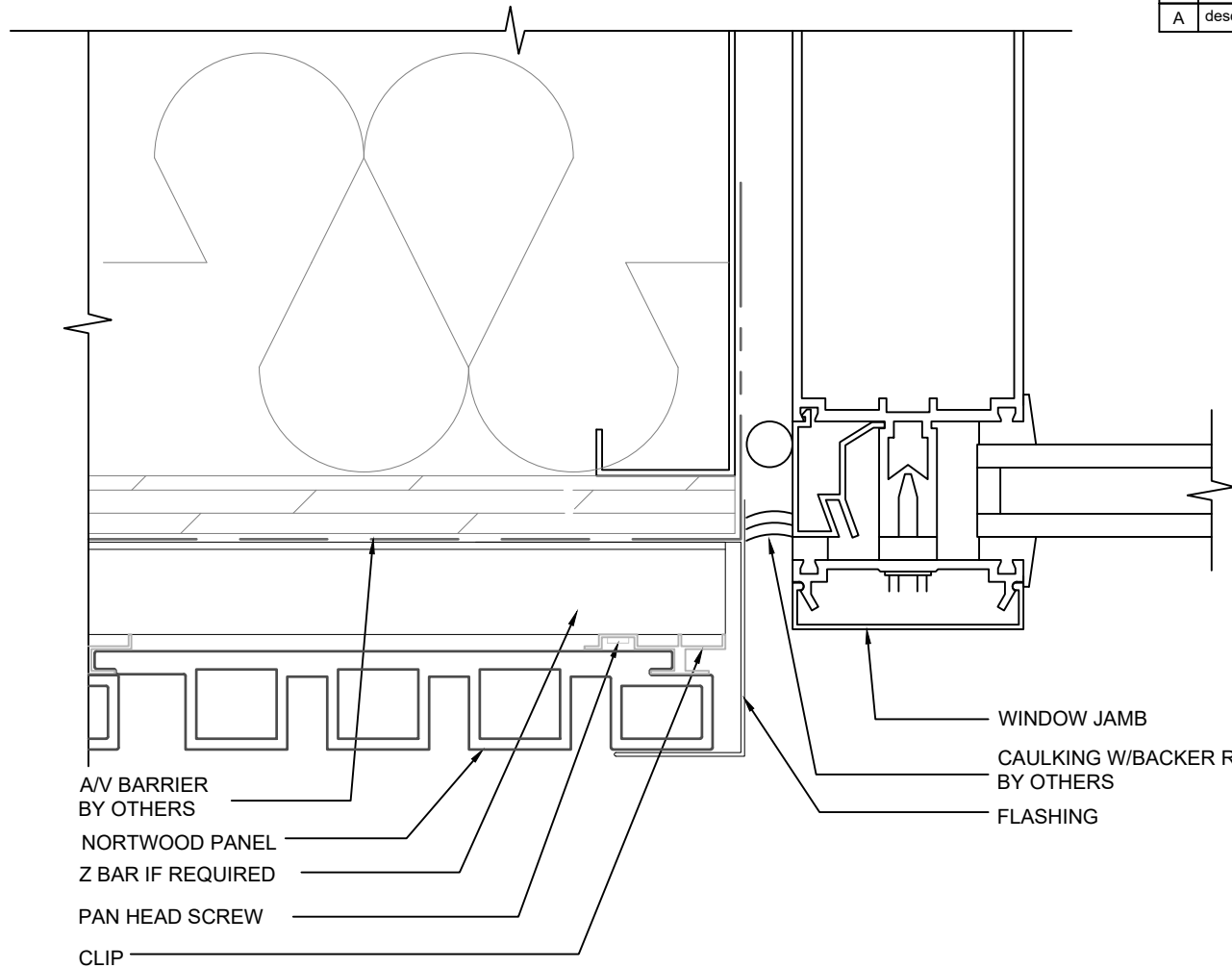
| REVISIONS: | | | |
|------------|--------------|-----|----------|
| REV: | DESCRIPTION: | BY: | DATE: |
| A | description | by | xx/xx/xx |



VERT. INST. AT WINDOW HEAD

| | | | | | |
|--------------|--------------------------------------|---------------------|-------------------|-------------------|---|
| SITE: XXX | XX DRAWING NO. | | XX PROJECT NO. | MM,DD,YY DATE. |  <p>133 Romina Dr, Concord, ON L4K 4Z9 Phone: 1(888)308-8898 email: info@nortwood.com www.nortwood.com</p> |
| | TITLE: JOINT DETAIL @ WINDOW HEAD | 1:2 SCALE AT A4. | AD DRAWN. | XX CHECKED. | |

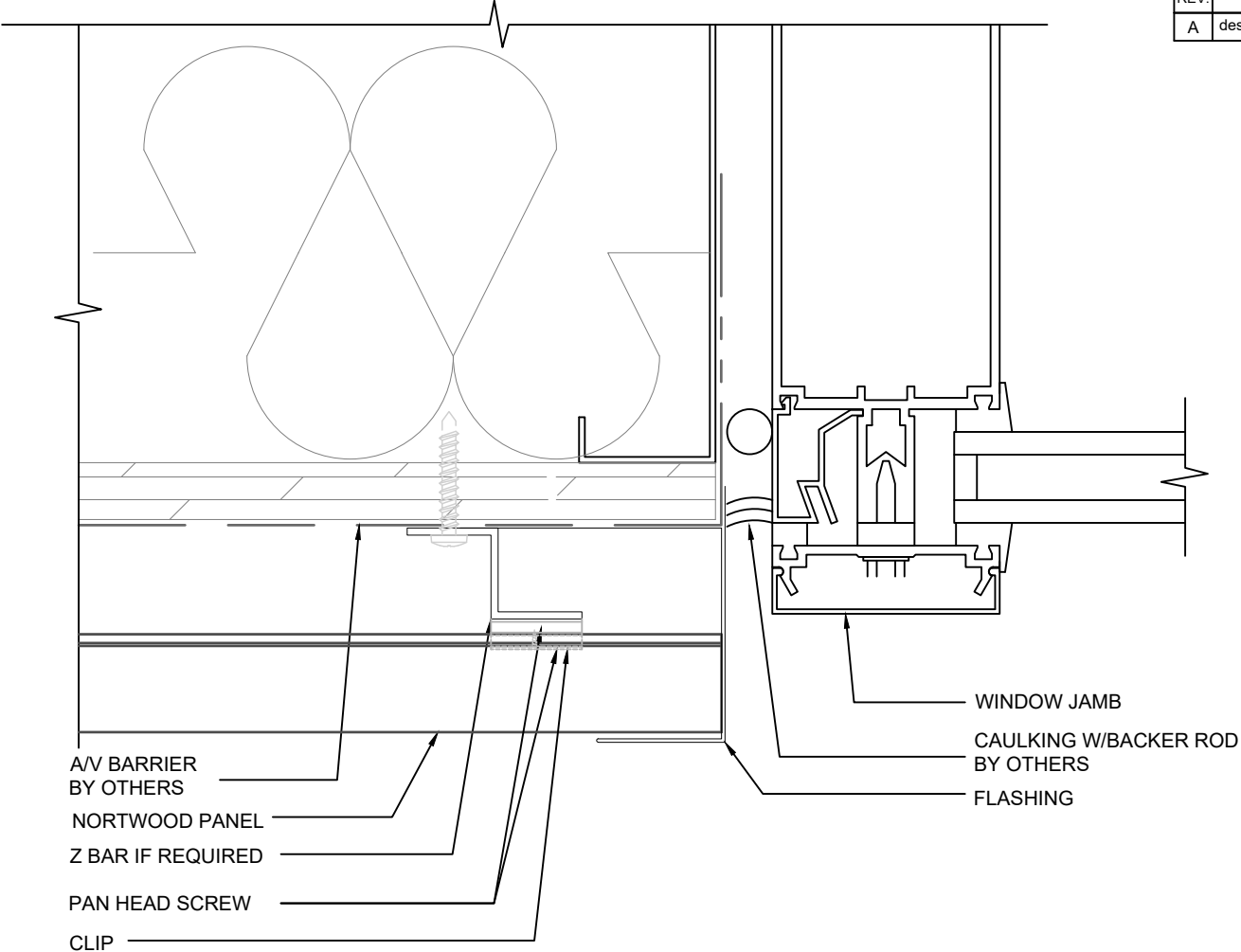
| REVISIONS: | | | |
|------------|--------------|-----|----------|
| REV: | DESCRIPTION: | BY: | DATE: |
| A | description | by | xx/xx/xx |



VERT. INST. AT WINDOW JAMB

| | | | | |
|---|------------------------------------|----------------------------------|----------------------------------|---|
| SITE: <div style="font-size: 24px; font-weight: bold; text-align: center;">XXX</div> | XX <small>DRAWING NO.</small> | XX <small>PROJECT NO.</small> | MM,DD,YY <small>DATE.</small> | <div style="font-size: 24px; font-weight: bold; color: #00A0C0;">NORTWOOD</div> <div style="font-size: 10px; margin-top: 5px;"> 133 Romina Dr, Concord, ON L4K 4Z9 Phone: 1(888)308-8898 email: info@nortwood.com www.nortwood.com </div> |
| TITLE: <div style="font-size: 18px; font-weight: bold;">JOINT DETAIL @ WINDOW JAMB</div> | 1:2 <small>SCALE AT A4.</small> | AD <small>DRAWN.</small> | XX <small>CHECKED.</small> | |

| REVISIONS: | | | |
|------------|--------------|-----|----------|
| REV: | DESCRIPTION: | BY: | DATE: |
| A | description | by | xx/xx/xx |



AV BARRIER
BY OTHERS

NORTWOOD PANEL

Z BAR IF REQUIRED

PAN HEAD SCREW


CLIP

WINDOW JAMB

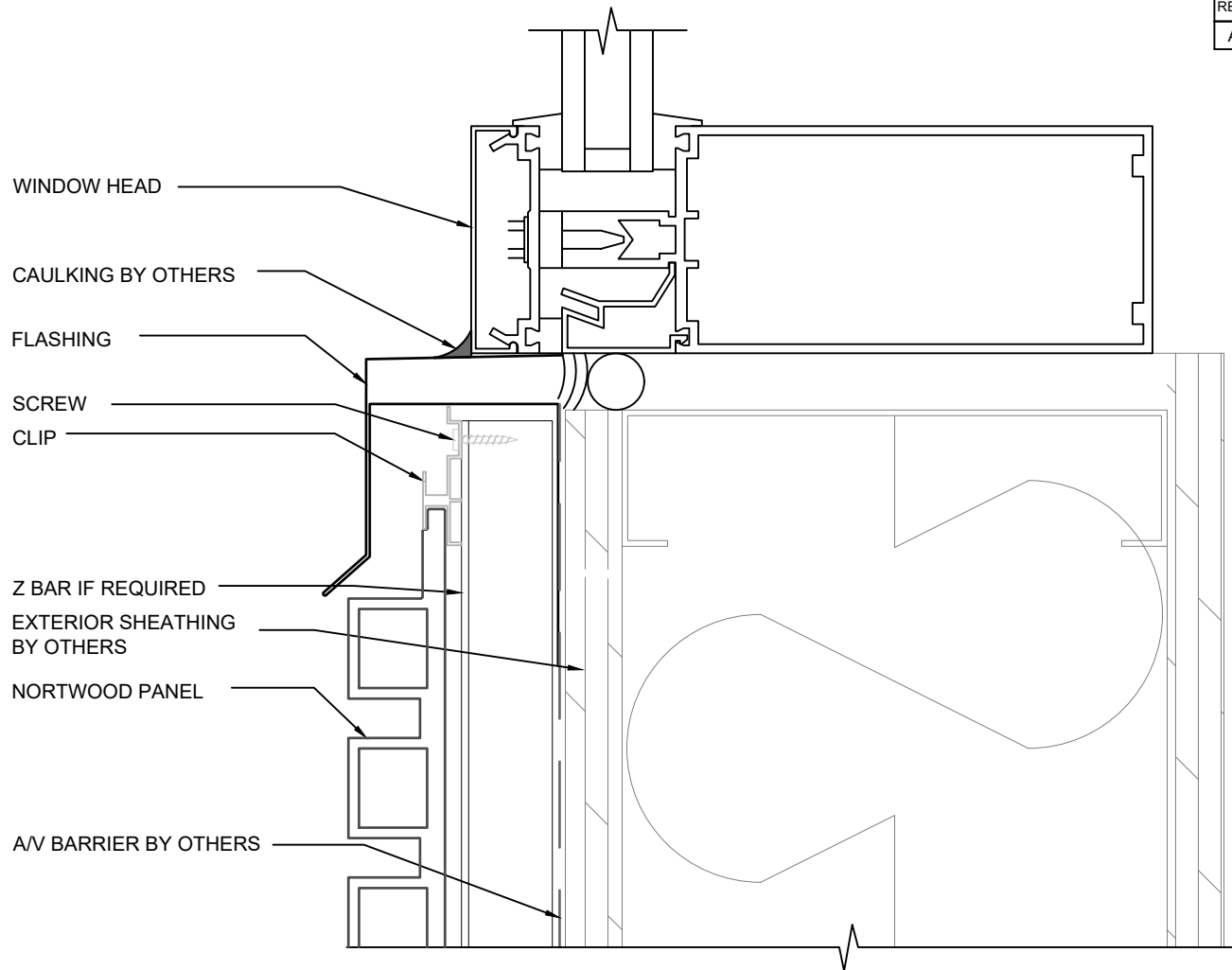
CAULKING W/BACKER ROD
BY OTHERS

FLASHING


HORIZ. INST. AT WINDOW JAMB

| | | | | | |
|--------------|--------------------------------------|---------------------|-------------------|-------------------|---|
| SITE: XXX | XX DRAWING NO. | | XX PROJECT NO. | MM,DD,YY DATE. |  133 Romina Dr, Concord, ON L4K 4Z9 Phone: 1(888)308-8898 email: info@nortwood.com www.nortwood.com |
| | TITLE: JOINT DETAIL @ WINDOW JAMB | 1:2 SCALE AT A4. | AD DRAWN. | XX CHECKED. | |

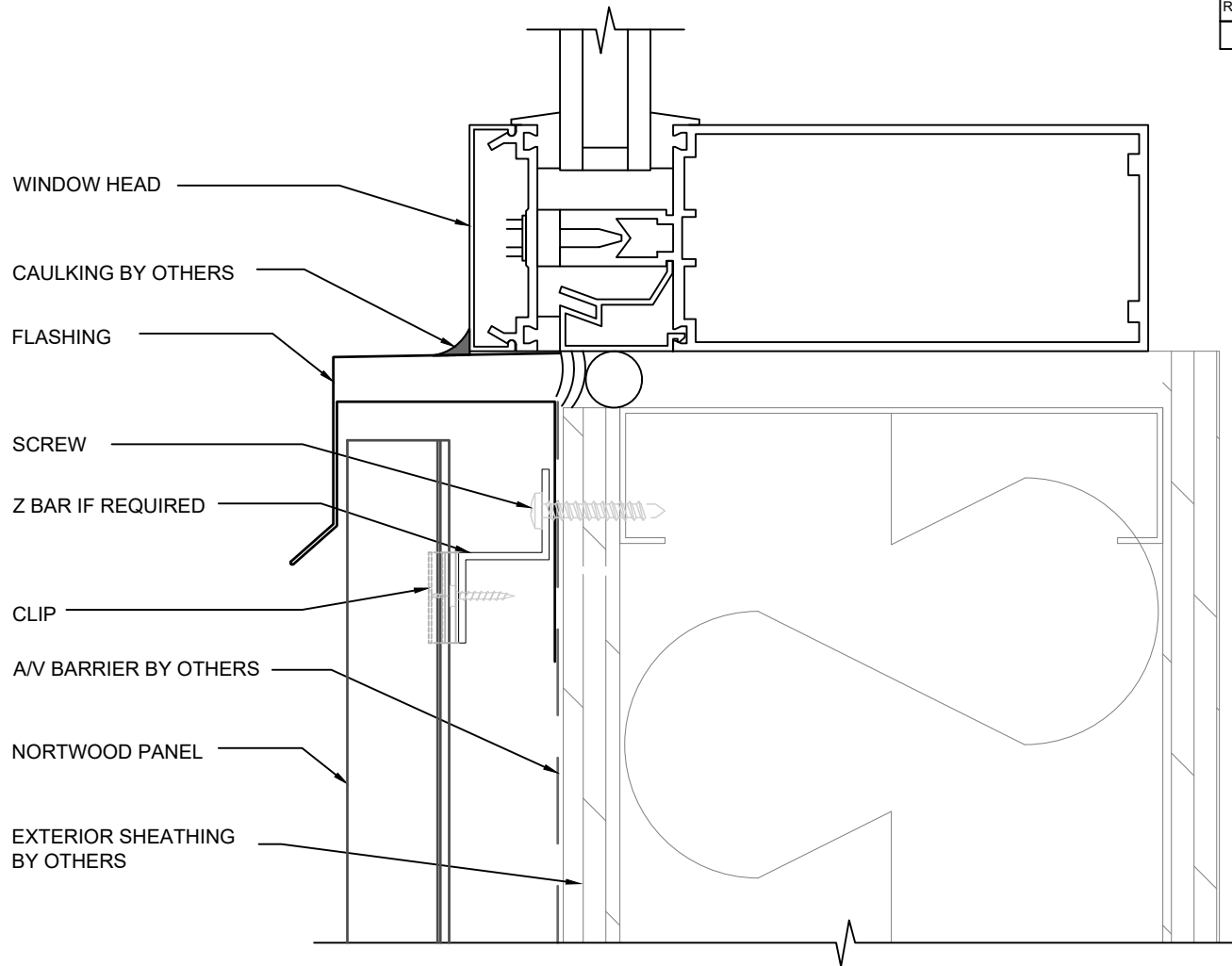
| REVISIONS: | | | |
|------------|--------------|-----|----------|
| REV: | DESCRIPTION: | BY: | DATE: |
| A | description | by | xx/xx/xx |




HORIZ. INST. AT WINDOW SILL

| | | | | | |
|--------------|--------------------------------------|---------------------|-------------------|-------------------|---|
| SITE: XXX | XX DRAWING NO. | | XX PROJECT NO. | MM,DD,YY DATE. |  <p>133 Romina Dr, Concord, ON L4K 4Z9 Phone: 1(888)308-8898 email: info@nortwood.com www.nortwood.com</p> |
| | TITLE: JOINT DETAIL @ WINDOW SILL | 1:2 SCALE AT A4. | AD DRAWN. | XX CHECKED. | |

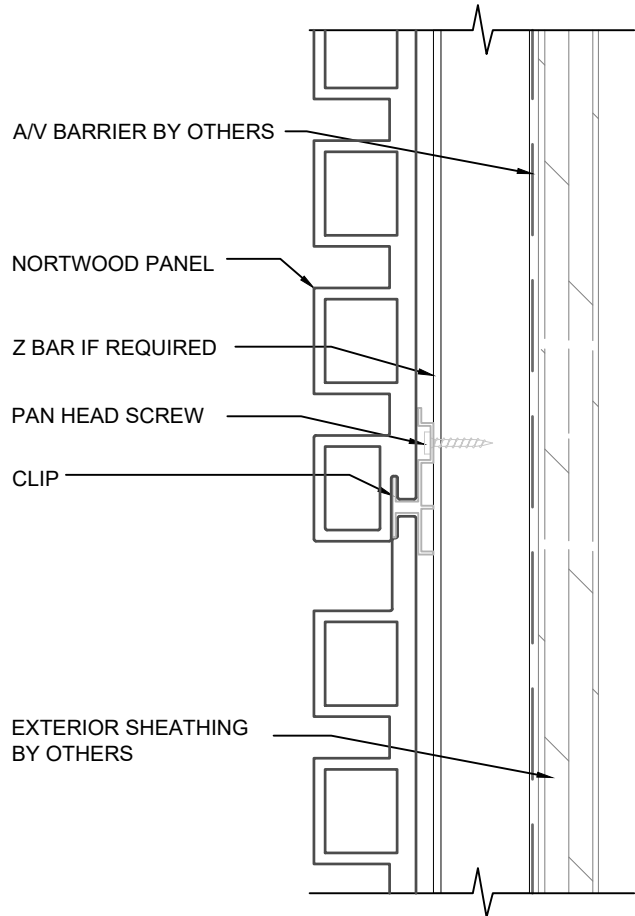
| REVISIONS: | | | |
|------------|--------------|-----|----------|
| REV: | DESCRIPTION: | BY: | DATE: |
| A | description | by | xx/xx/xx |



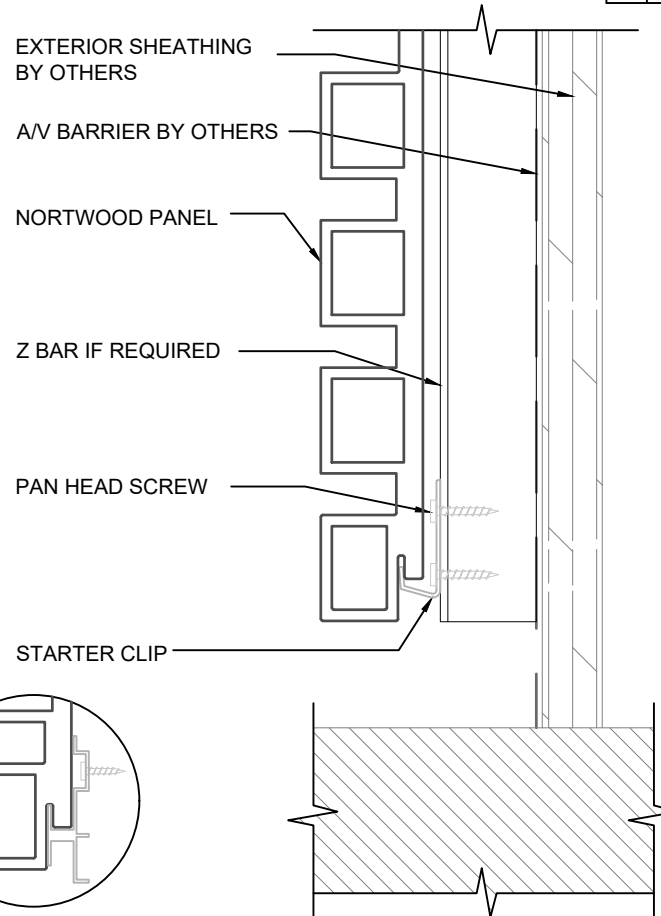
VERT. INST. AT WINDOW SILL

| | | | | |
|--------------------------------------|---------------------|-------------------|-------------------|---|
| SITE: XXX | XX DRAWING NO. | XX PROJECT NO. | MM,DD,YY DATE. |  <p>133 Romina Dr, Concord, ON L4K 4Z9 Phone: 1(888)308-8898 email: info@nortwood.com www.nortwood.com</p> |
| TITLE: JOINT DETAIL @ WINDOW SILL | 1:2 SCALE AT A4. | AD DRAWN. | XX CHECKED. | |

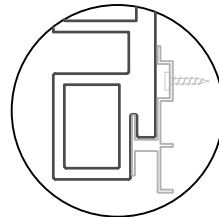
| REVISIONS: | | | |
|------------|--------------|-----|----------|
| REV: | DESCRIPTION: | BY: | DATE: |
| A | description | by | xx/xx/xx |




HORIZONTAL JOINT TYP.



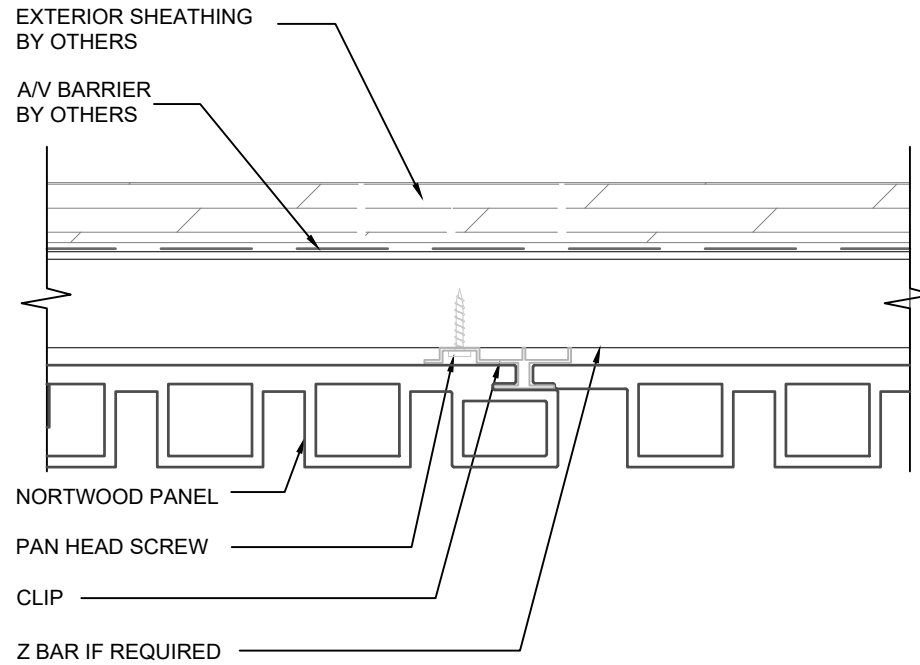
HORIZONTAL INS. END




Tip: For small areas, flipped clips can consider as a Starter

| | | | | |
|-----------------------------|---------------------|-------------------|-------------------|---|
| SITE: XXX | XX DRAWING NO. | XX PROJECT NO. | MM,DD,YY DATE. |  <p>133 Romina Dr, Concord, ON L4K 4Z9 Phone: 1(888)308-8898 email: info@nortwood.com www.nortwood.com</p> |
| TITLE: JOINTS HORIZONTAL | 1:2 SCALE AT A4. | AD DRAWN. | XX CHECKED. | |

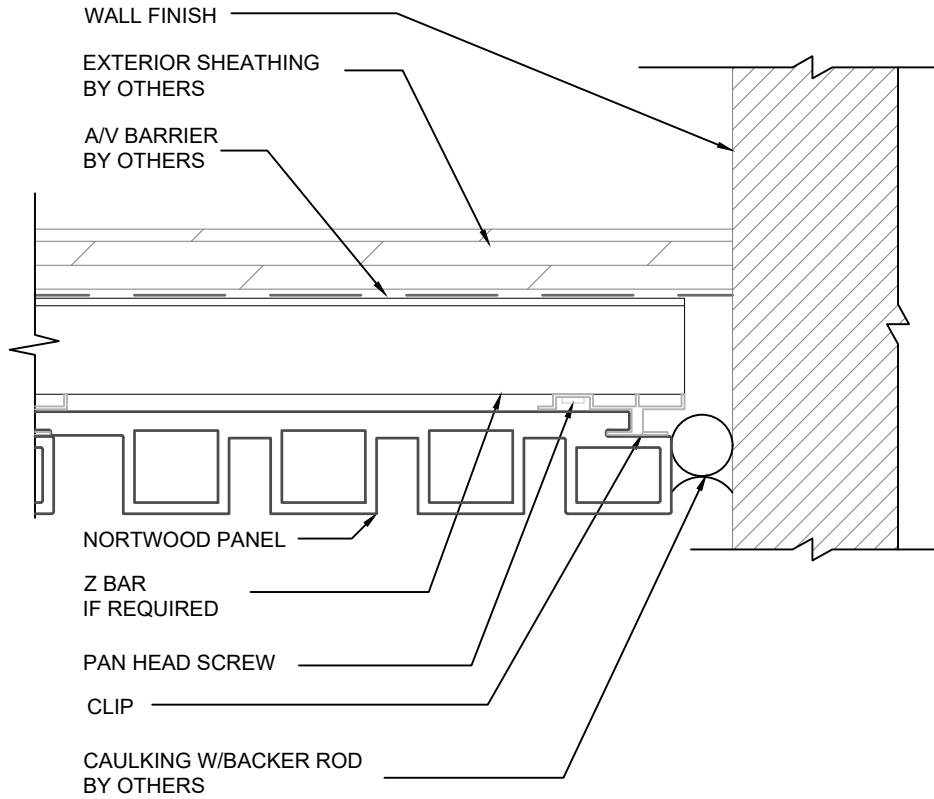
| REVISIONS: | | | |
|------------|--------------|-----|----------|
| REV: | DESCRIPTION: | BY: | DATE: |
| A | description | by | xx/xx/xx |



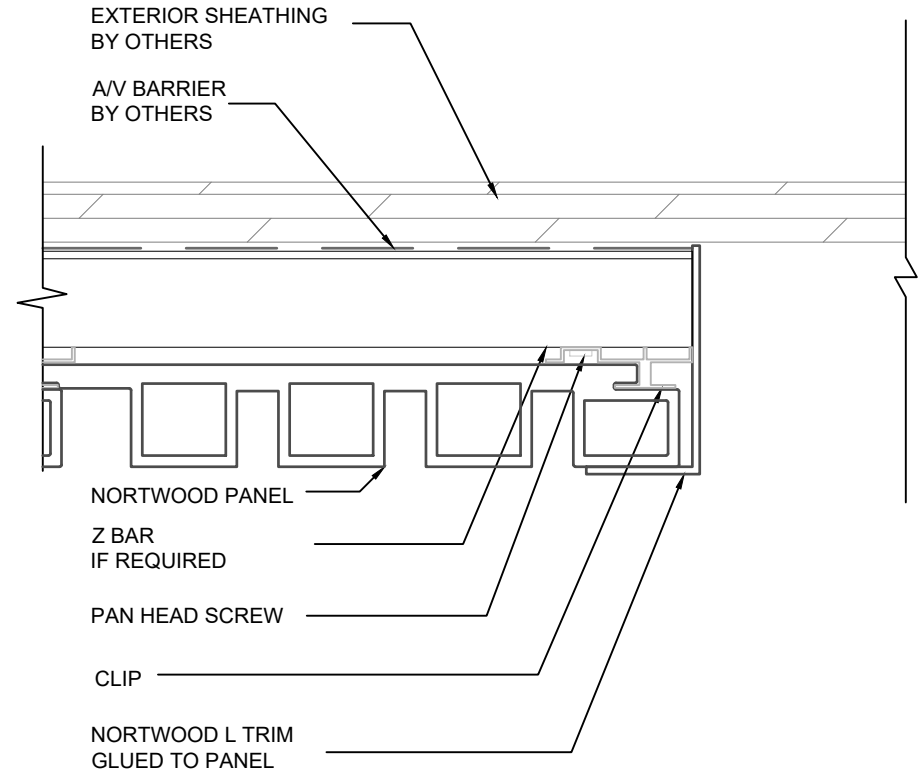
VERTICAL JOINT TYP.

| | | | | |
|--------------------------|---------------------|-------------------|-------------------|---|
| SITE: XXX | XX DRAWING NO. | XX PROJECT NO. | MM,DD,YY DATE. |  <p>133 Romina Dr, Concord, ON L4K 4Z9 Phone: 1(888)308-8898 email: info@nortwood.com www.nortwood.com</p> |
| TITLE: JOINT VERTICAL | 1:2 SCALE AT A4. | AD DRAWN. | XX CHECKED. | |


| REVISIONS: | | | |
|------------|--------------|-----|----------|
| REV: | DESCRIPTION: | BY: | DATE: |
| A | description | by | xx/xx/xx |



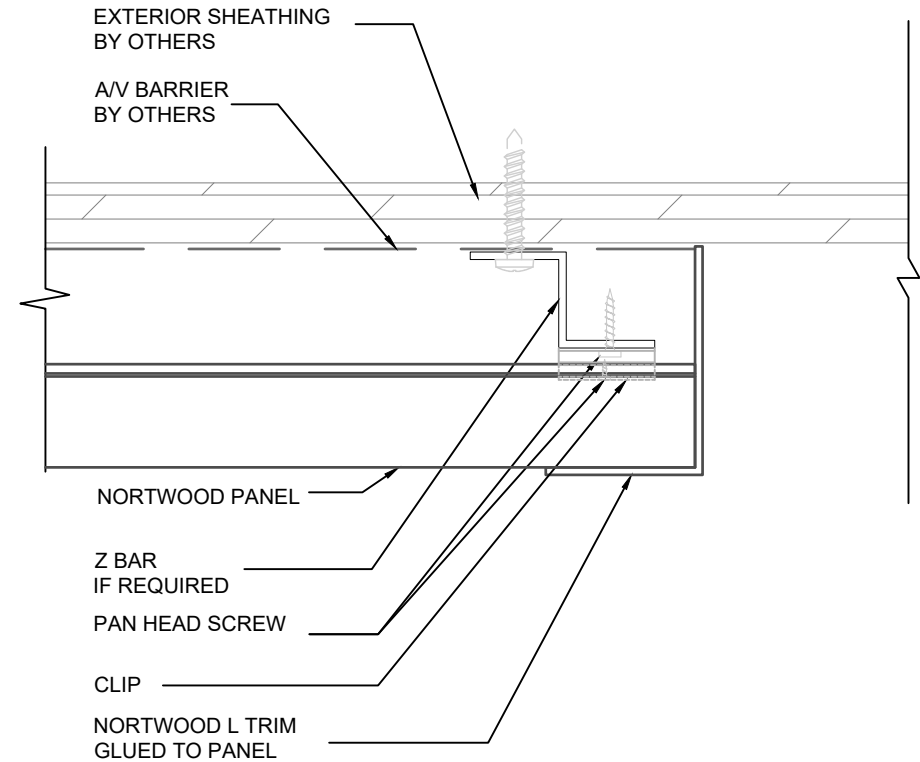
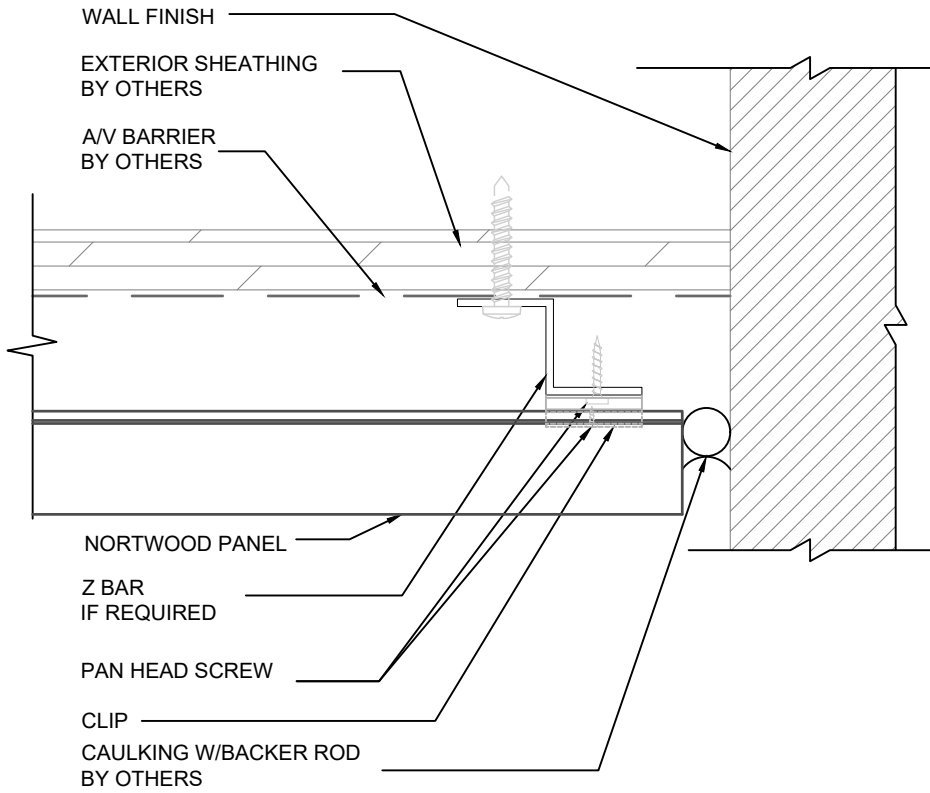
VERTICAL JOINT AT WALL TYP.



VERTICAL START INST. TYP.


| | | | | | |
|-------------------------|--------------|-------------|----------|-----------|---|
| SITE: XXX | XX | | XX | MM,DD,YY |  <p>133 Romina Dr, Concord, ON L4K 4Z9 Phone: 1(888)308-8898 email: info@nortwood.com www.nortwood.com</p> |
| | DRAWING NO. | PROJECT NO. | DATE. | | |
| TITLE: JOINT STARTER | 1:2 | AD | XX | 00 | |
| | SCALE AT A4. | DRAWN. | CHECKED. | REVISION. | |

| REVISIONS: | | | |
|------------|--------------|-----|----------|
| REV: | DESCRIPTION: | BY: | DATE: |
| A | description | by | xx/xx/xx |

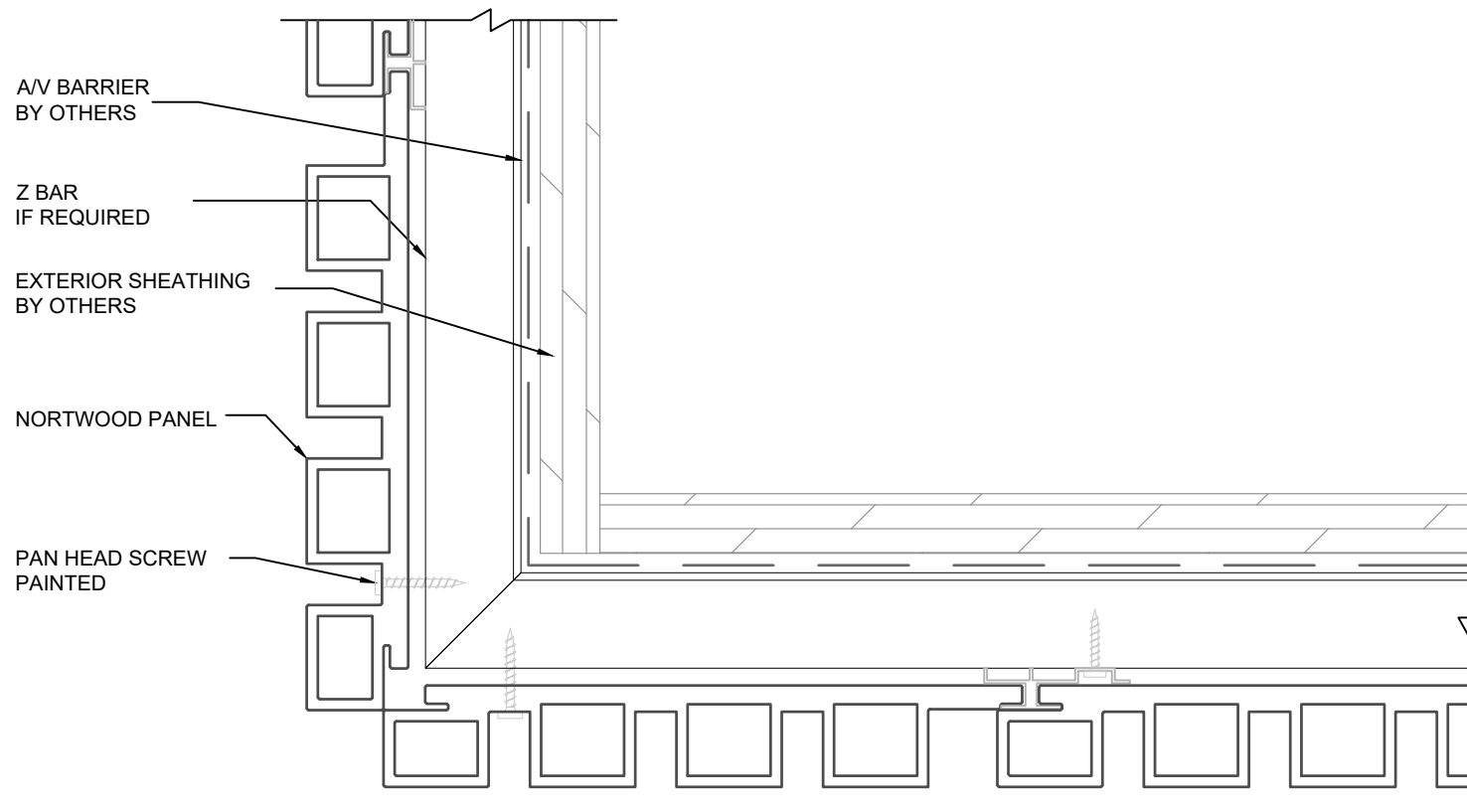


HORIZONTAL JOINT AT WALL TYP.

HORIZONTAL START INST. TYP.

| | | | | | |
|-----------------------------------|--------------|--------|-------------|-----------|--|
| SITE: XXX | XX | | XX | MM,DD,YY |  |
| | DRAWING NO. | | PROJECT NO. | DATE. | |
| TITLE: JOINT AT BOTTOM OF WALL | 1:2 | AD | XX | 00 | 133 Romina Dr, Concord, ON L4K 4Z9 Phone: 1(888)308-8898 email: info@nortwood.com www.nortwood.com |
| | SCALE AT A4. | DRAWN. | CHECKED. | REVISION. | |

| REVISIONS: | | | |
|------------|--------------|-----|----------|
| REV: | DESCRIPTION: | BY: | DATE: |
| A | description | by | xx/xx/xx |



AV BARRIER
BY OTHERS

Z BAR
IF REQUIRED

EXTERIOR SHEATHING
BY OTHERS

NORTWOOD PANEL

PAN HEAD SCREW
PAINTED

VERT. INST. CORNER BUTT JOINT

| | | | |
|--------------------------------------|---------------------|-------------------|-----------------------------|
| SITE: XXX | XX DRAWING NO. | XX PROJECT NO. | MM,DD,YY DATE. |
| TITLE: JOINT @ CORNER WITH L TRIM | 1:2 SCALE AT A4. | AD DRAWN. | XX 00 CHECKED. REVISION. |

NORTWOOD

133 Romina Dr, Concord, ON L4K 4Z9
Phone: 1(888)308-8898 email: info@nortwood.com
www.nortwood.com

| REVISIONS: | | | |
|------------|--------------|-----|----------|
| REV: | DESCRIPTION: | BY: | DATE: |
| A | description | by | xx/xx/xx |

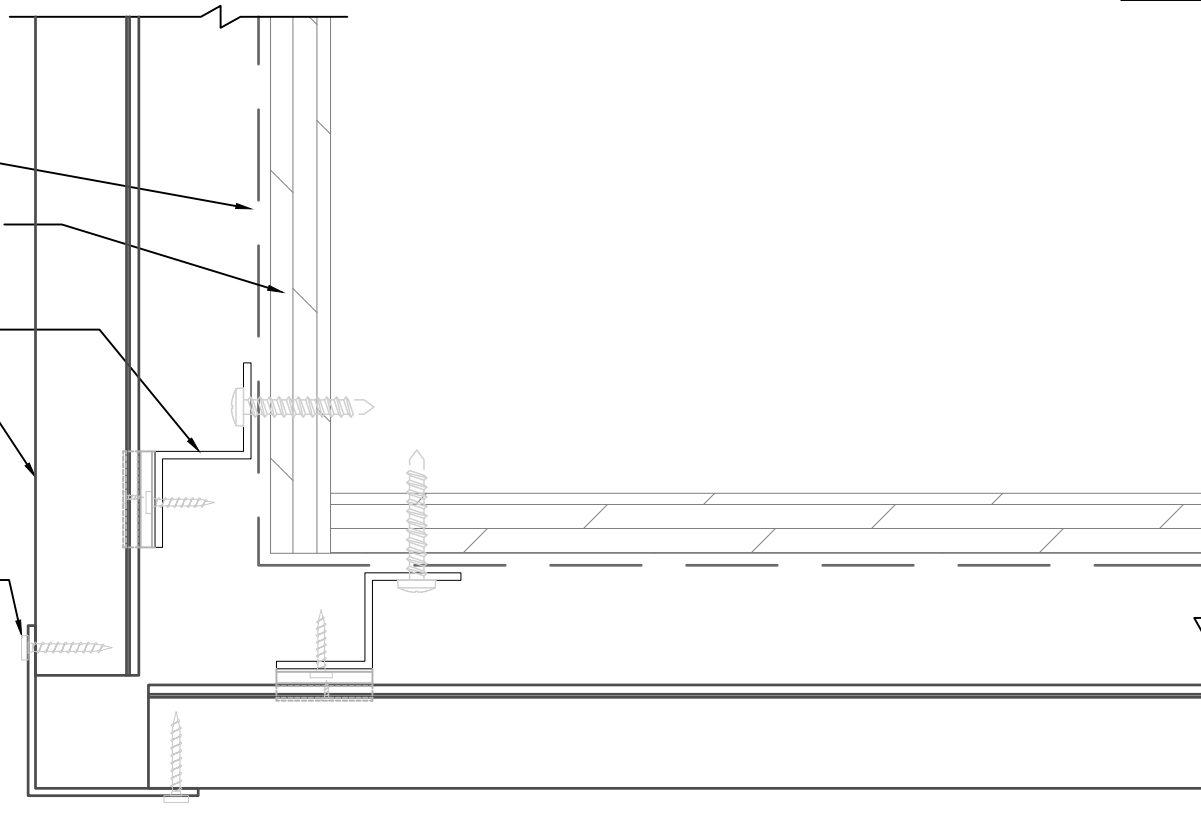
AV BARRIER
BY OTHERS

EXTERIOR SHEATHING
BY OTHERS

Z BAR
IF REQUIRED

NORTWOOD PANEL

PAN HEAD SCREW
PAINTED



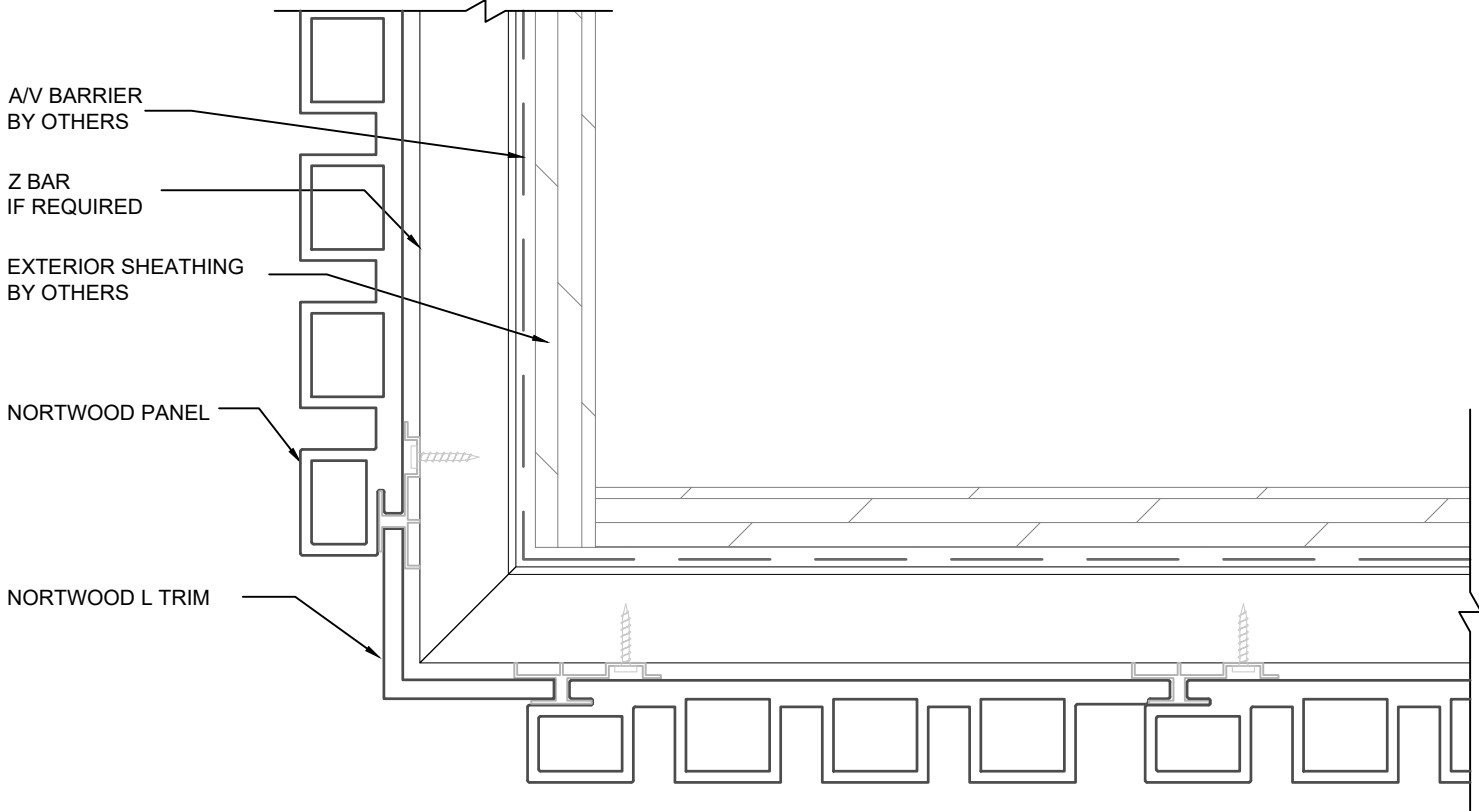
HRIZ. INST. CORNER L TRIM JOINT

| | | | |
|--------------------------------------|---------------------|-------------------|-----------------------------|
| SITE: XXX | XX DRAWING NO. | XX PROJECT NO. | MM,DD,YY DATE. |
| TITLE: JOINT @ CORNER WITH L TRIM | 1:2 SCALE AT A4. | AD DRAWN. | XX 00 CHECKED. REVISION. |


NORTWOOD

133 Romina Dr, Concord, ON L4K 4Z9
Phone: 1(888)308-8898 email: info@nortwood.com
www.nortwood.com

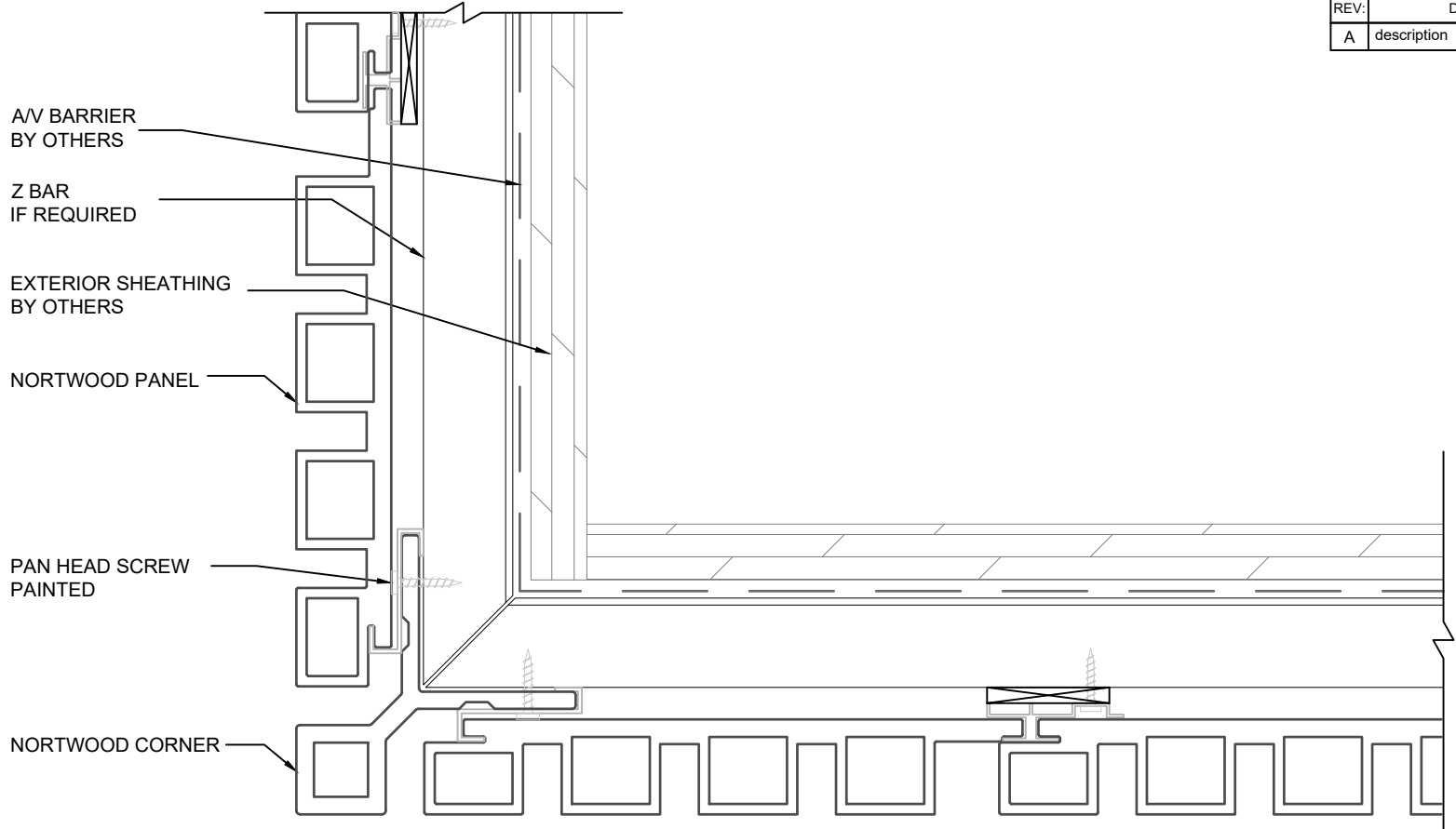
| REVISIONS: | | | |
|------------|--------------|-----|----------|
| REV: | DESCRIPTION: | BY: | DATE: |
| A | description | by | xx/xx/xx |




VERT. INST. CORNER L TRIM JOINT

| | | | | |
|--------------------------------------|---------------------|-------------------|-------------------|---|
| SITE: XXX | DRAWING NO. XX | PROJECT NO. XX | DATE. MM,DD,YY |  133 Romina Dr, Concord, ON L4K 4Z9 Phone: 1(888)308-8898 email: info@nortwood.com www.nortwood.com |
| TITLE: JOINT @ CORNER WITH L TRIM | SCALE AT A4. 1:2 | DRAWN. AD | CHECKED. XX | |

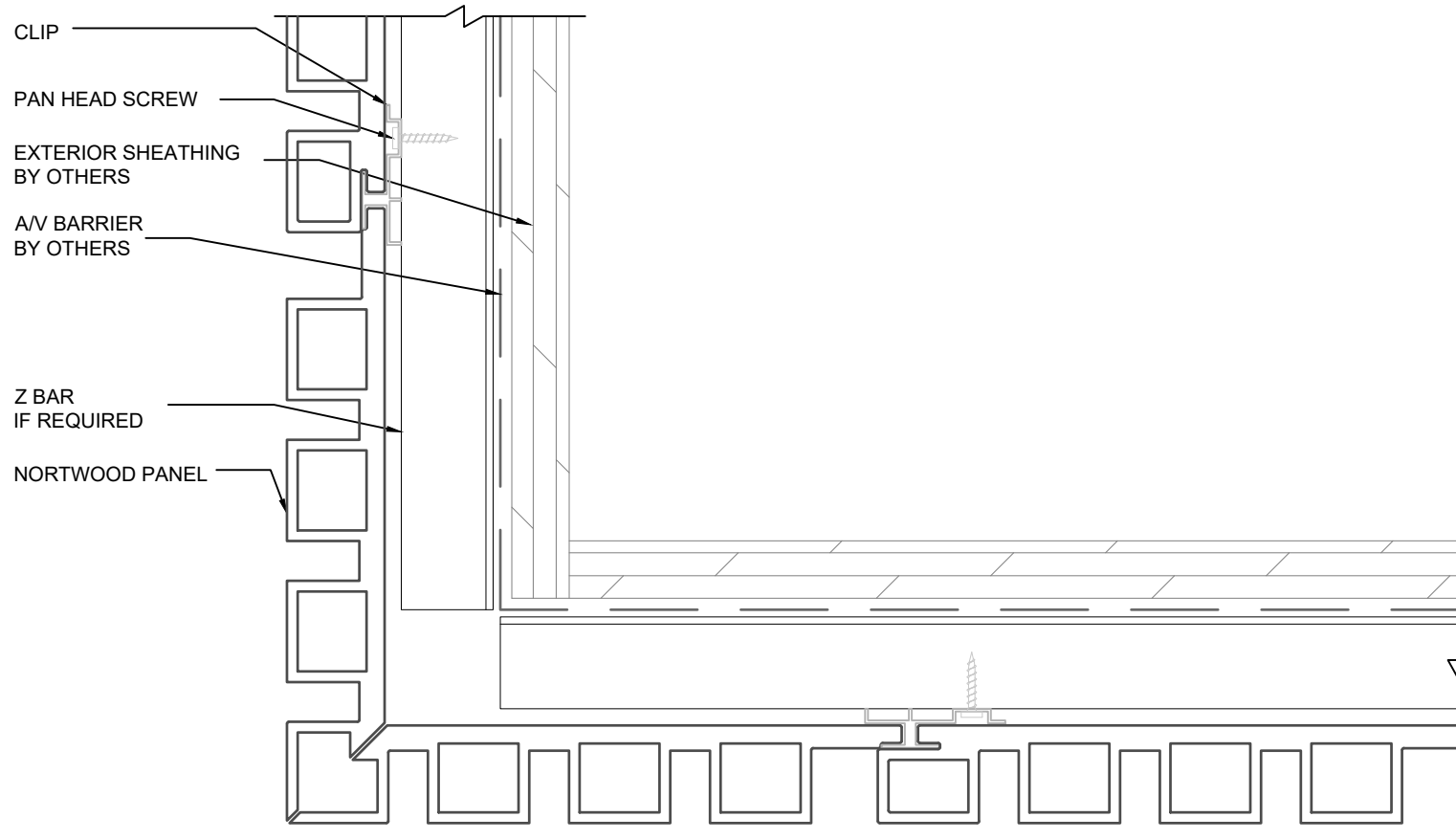
| REVISIONS: | | | |
|------------|--------------|-----|----------|
| REV: | DESCRIPTION: | BY: | DATE: |
| A | description | by | xx/xx/xx |



VERT. INST. CORNER JOINT

| | | | | | |
|--------------|--------------------------------|---------------------|-------------------|-------------------|---|
| SITE: XXX | XX DRAWING NO. | | XX PROJECT NO. | MM,DD,YY DATE. |  133 Romina Dr, Concord, ON L4K 4Z9 Phone: 1(888)308-8898 email: info@nortwood.com www.nortwood.com |
| | TITLE: JOINT @ CORNER JOINT | 1:2 SCALE AT A4. | AD DRAWN. | XX CHECKED. | |

| REVISIONS: | | | |
|------------|--------------|-----|----------|
| REV: | DESCRIPTION: | BY: | DATE: |
| A | description | by | xx/xx/xx |



VERT. INST. CORNER MITERED

| | | | | |
|---|------------------------------------|----------------------------------|----------------------------------|---|
| SITE: <div style="font-size: 24px; font-weight: bold; text-align: center;">XXX</div> | XX <small>DRAWING NO.</small> | XX <small>PROJECT NO.</small> | MM,DD,YY <small>DATE.</small> | <div style="font-size: 24px; font-weight: bold; color: #00A0C0;">NORTWOOD</div> <div style="font-size: 10px; margin-top: 5px;"> 133 Romina Dr, Concord, ON L4K 4Z9 Phone: 1(888)308-8898 email: info@nortwood.com www.nortwood.com </div> |
| TITLE: <div style="font-size: 18px; font-weight: bold; text-align: center;">JOINT @ CORNER MITERED</div> | 1:2 <small>SCALE AT A4.</small> | AD <small>DRAWN.</small> | XX <small>CHECKED.</small> | |

| REVISIONS: | | | |
|------------|--------------|-----|----------|
| REV: | DESCRIPTION: | BY: | DATE: |
| A | description | by | xx/xx/xx |

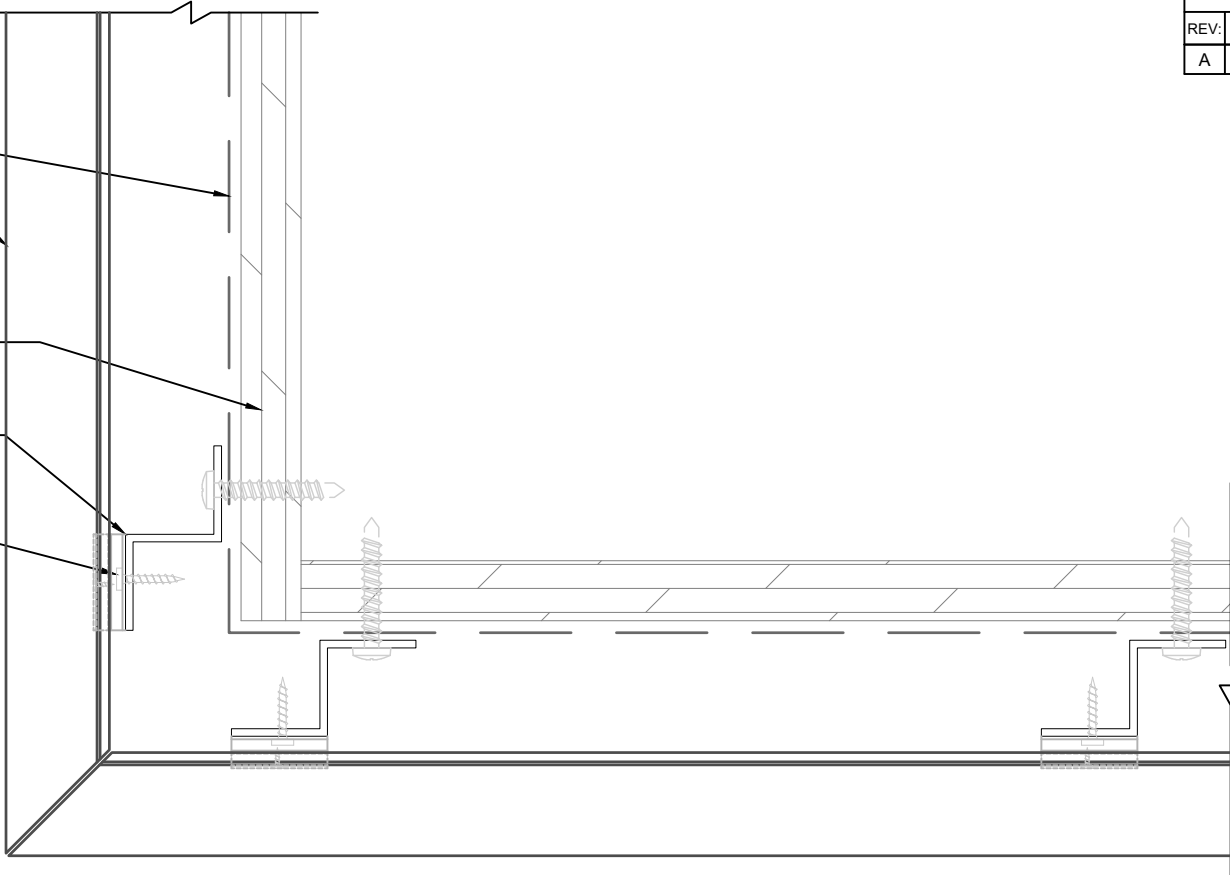
A/V BARRIER
BY OTHERS

NORTWOOD PANEL


EXTERIOR SHEATHING
BY OTHERS

Z BAR
IF REQUIRED

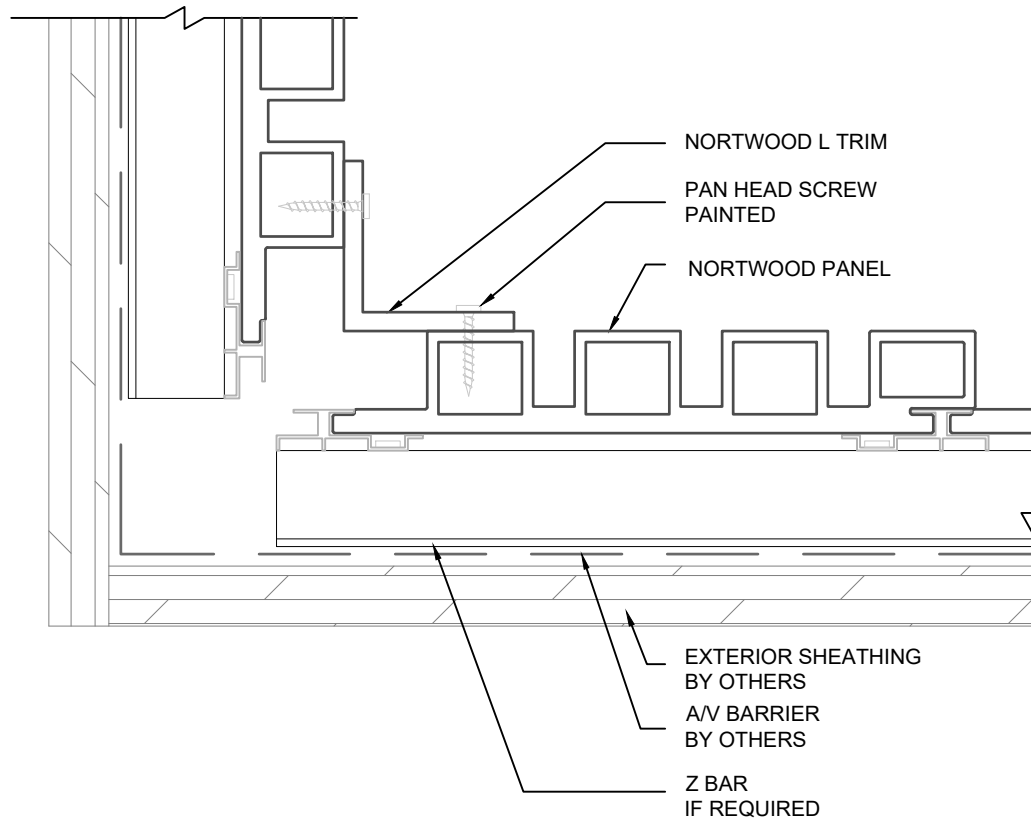
PAN HEAD SCREW




HORIZ. INST. CORNER MITERED

| | | | | |
|----------------------------------|---------------------|-------------------|-------------------|---|
| SITE: XXX | XX DRAWING NO. | XX PROJECT NO. | MM,DD,YY DATE. |  <p>133 Romina Dr, Concord, ON L4K 4Z9 Phone: 1(888)308-8898 email: info@nortwood.com www.nortwood.com</p> |
| TITLE: JOINT @ CORNER MITERED | 1:2 SCALE AT A4. | AD DRAWN. | XX CHECKED. | |

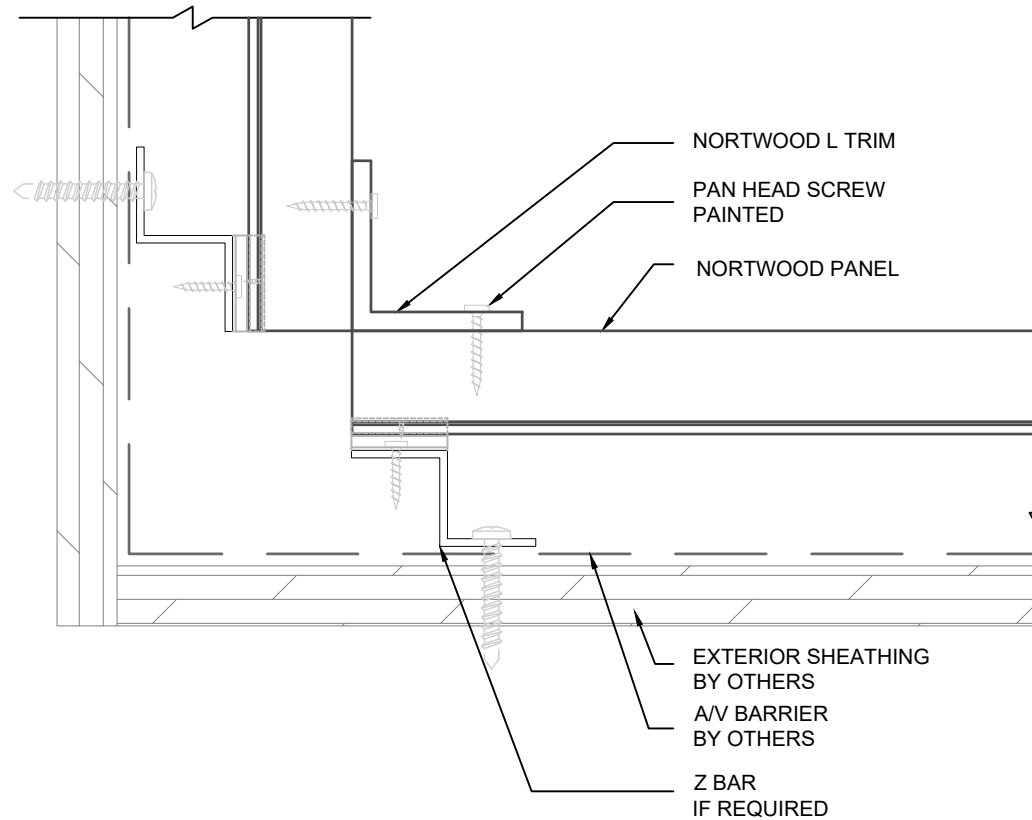
| REVISIONS: | | | |
|------------|--------------|-----|----------|
| REV: | DESCRIPTION: | BY: | DATE: |
| A | description | by | xx/xx/xx |




INSIDE VERT. INST. CORNER L TRIM

| | | | | | |
|--------------|-------------------------------------|---------------------|-------------------|-------------------|---|
| SITE: XXX | XX DRAWING NO. | | XX PROJECT NO. | MM,DD,YY DATE. |  133 Romina Dr, Concord, ON L4K 4Z9 Phone: 1(888)308-8898 email: info@nortwood.com www.nortwood.com |
| | TITLE: INSIDE CORNER WITH L TRIM | 1:2 SCALE AT A4. | AD DRAWN. | XX CHECKED. | |

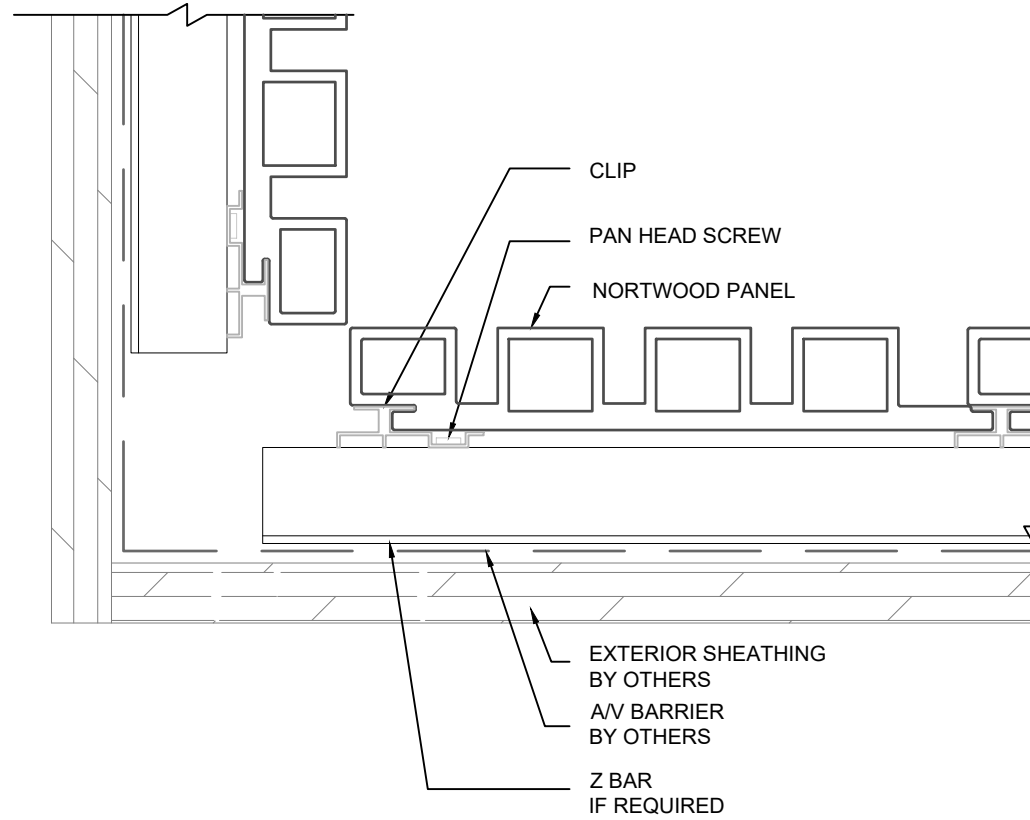
| REVISIONS: | | | |
|------------|--------------|-----|----------|
| REV: | DESCRIPTION: | BY: | DATE: |
| A | description | by | xx/xx/xx |



INSIDE HORIZ. INST. CORNER L TRIM

| | | | | | |
|--------------|-------------------------------------|--|---------------------|-------------------|---|
| SITE: XXX | XX DRAWING NO. | | XX PROJECT NO. | MM,DD,YY DATE. |  <p>133 Romina Dr, Concord, ON L4K 4Z9 Phone: 1(888)308-8898 email: info@nortwood.com www.nortwood.com</p> |
| | TITLE: INSIDE CORNER WITH L TRIM | | 1:2 SCALE AT A4. | AD DRAWN. | |

| REVISIONS: | | | |
|------------|--------------|-----|----------|
| REV: | DESCRIPTION: | BY: | DATE: |
| A | description | by | xx/xx/xx |



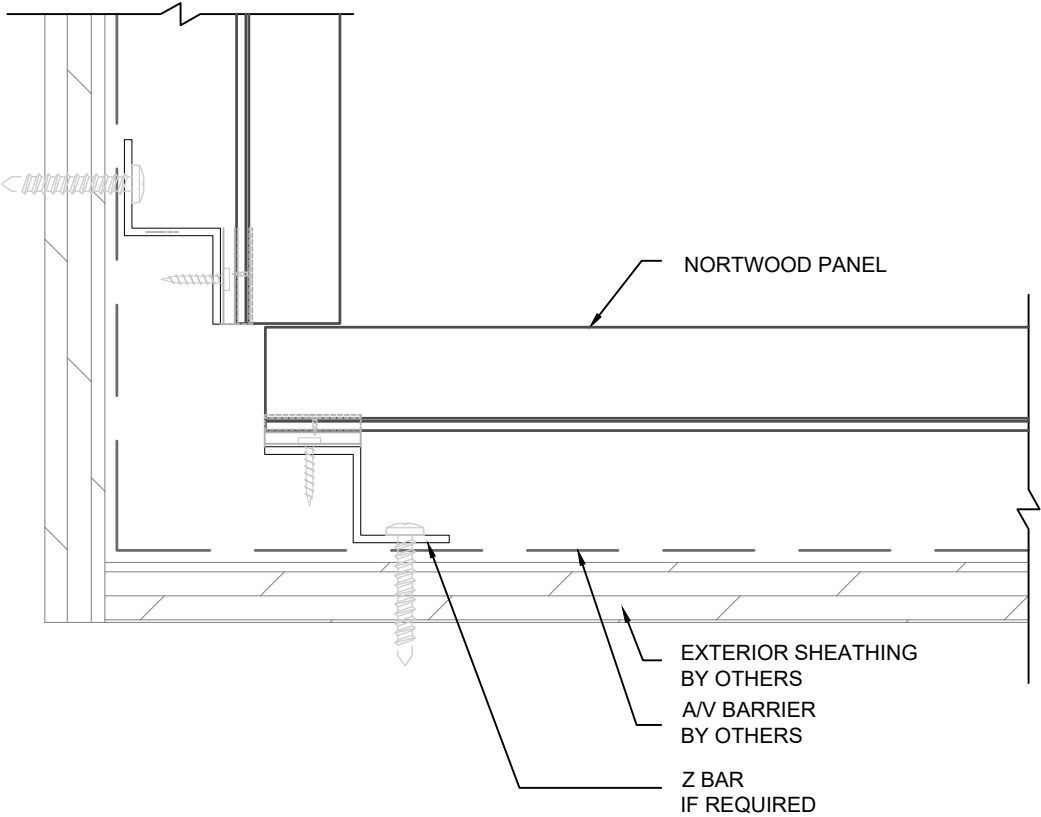
INSIDE VERT. INST. CORNER BUTT JOINT

| | | | | |
|------------------------------------|--------------|--------|-------------|-----------|
| SITE: XXX | XX | | XX | MM,DD,YY |
| | DRAWING NO. | | PROJECT NO. | DATE. |
| TITLE: INSIDE CORNER BUTT JOINT | 1:2 | AD | XX | 00 |
| | SCALE AT A4. | DRAWN. | CHECKED. | REVISION. |




133 Romina Dr, Concord, ON L4K 4Z9
 Phone: 1(888)308-8898 email: info@nortwood.com
 www.nortwood.com

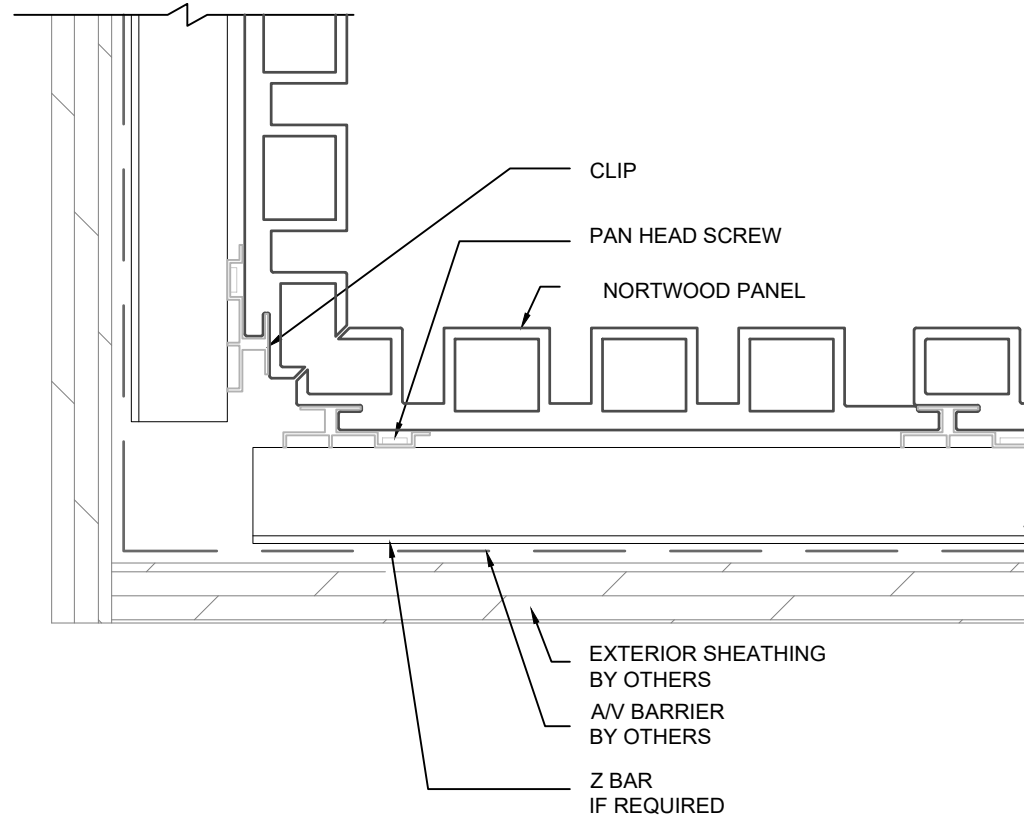
| REVISIONS: | | | |
|------------|--------------|-----|----------|
| REV: | DESCRIPTION: | BY: | DATE: |
| A | description | by | xx/xx/xx |




INSIDE HORIZ. INST. CORNER BUTT JOINT

| | | | | | |
|--------------|------------------------------------|---------------------|-------------------|-------------------|---|
| SITE: XXX | XX DRAWING NO. | | XX PROJECT NO. | MM,DD,YY DATE. |  133 Romina Dr, Concord, ON L4K 4Z9 Phone: 1(888)308-8898 email: info@nortwood.com www.nortwood.com |
| | TITLE: INSIDE CORNER BUTT JOINT | 1:2 SCALE AT A4. | AD DRAWN. | XX CHECKED. | |

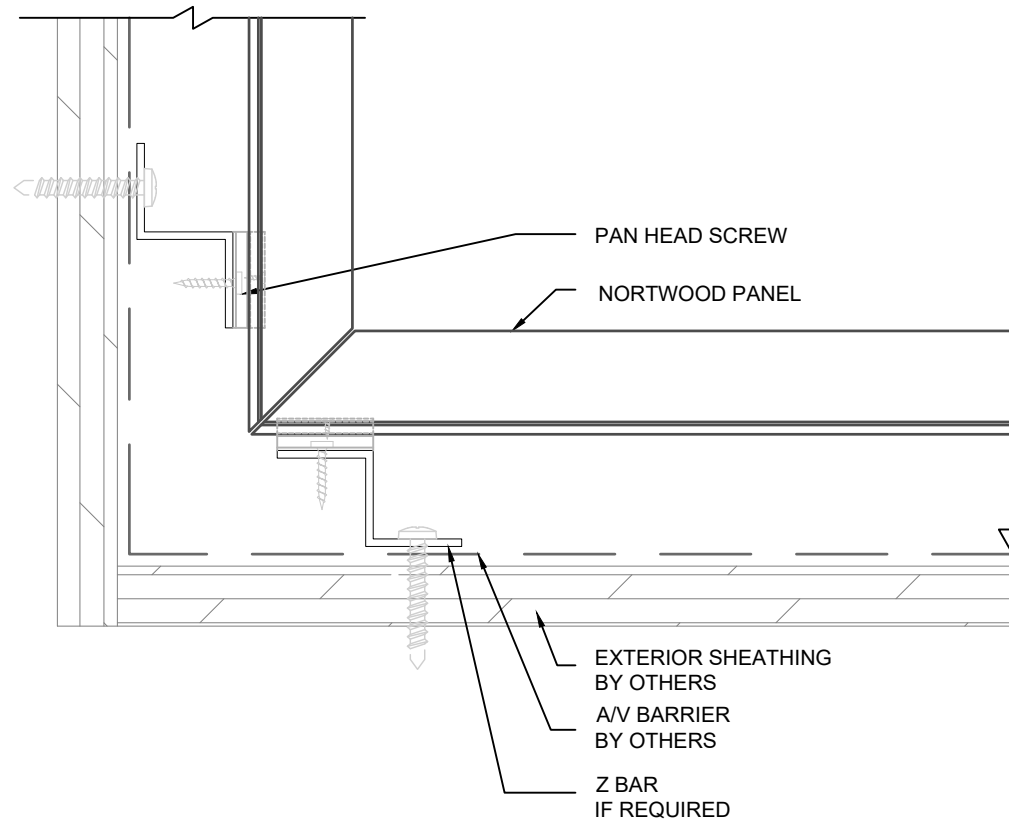
| REVISIONS: | | | |
|------------|--------------|-----|----------|
| REV: | DESCRIPTION: | BY: | DATE: |
| A | description | by | xx/xx/xx |




INSIDE VERT. INST. CORNER MITERED

| | | | | | |
|--------------|---------------------------------|---------------------|-------------------|-------------------|---|
| SITE: XXX | XX DRAWING NO. | | XX PROJECT NO. | MM,DD,YY DATE. |  133 Romina Dr, Concord, ON L4K 4Z9 Phone: 1(888)308-8898 email: info@nortwood.com www.nortwood.com |
| | TITLE: INSIDE CORNER MITERED | 1:2 SCALE AT A4. | AD DRAWN. | XX CHECKED. | |

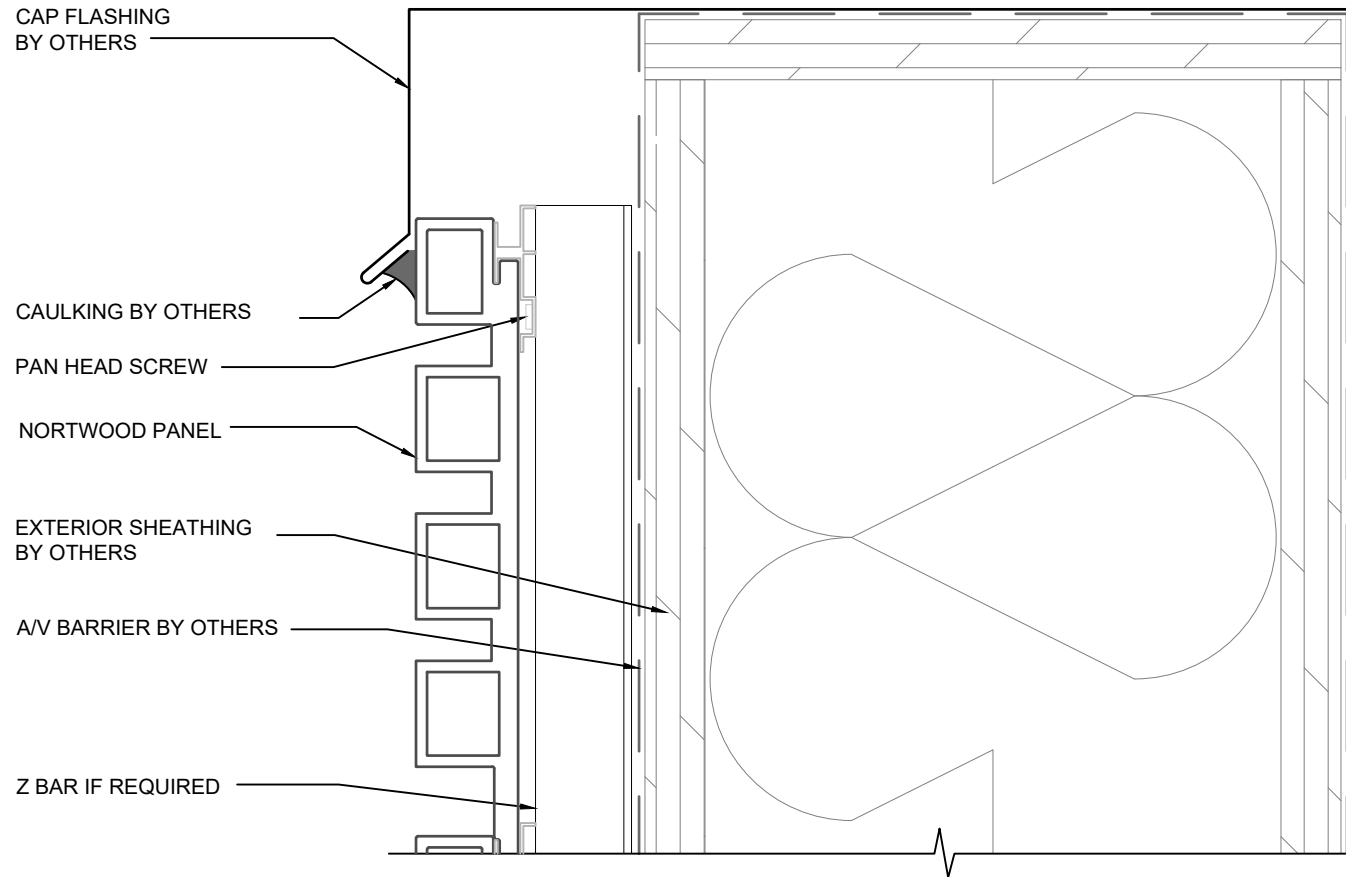
| REVISIONS: | | | |
|------------|--------------|-----|----------|
| REV: | DESCRIPTION: | BY: | DATE: |
| A | description | by | xx/xx/xx |




INSIDE HORIZ. INST. CORNER MITERED

| | | | | | |
|--------------|---------------------------------|---------------------|-------------------|-------------------|---|
| SITE: XXX | XX DRAWING NO. | | XX PROJECT NO. | MM,DD,YY DATE. |  <p>133 Romina Dr, Concord, ON L4K 4Z9 Phone: 1(888)308-8898 email: info@nortwood.com www.nortwood.com</p> |
| | TITLE: INSIDE CORNER MITERED | 1:2 SCALE AT A4. | AD DRAWN. | XX CHECKED. | |

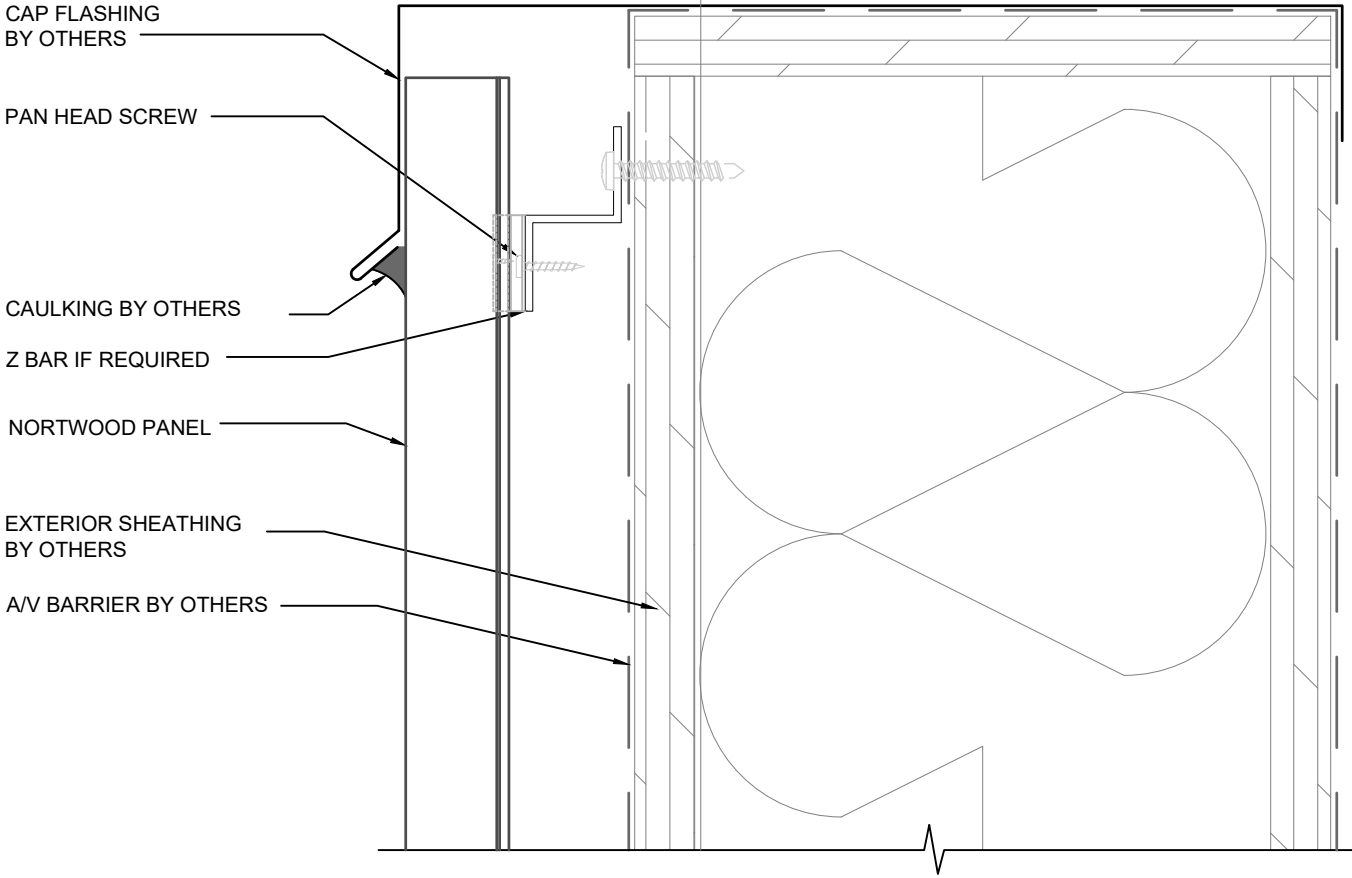
| REVISIONS: | | | |
|------------|--------------|-----|----------|
| REV: | DESCRIPTION: | BY: | DATE: |
| A | description | by | xx/xx/xx |



HORIZ. END AT PARAPET W/CAP FLASHING

| | | | | |
|---|---------------------|-------------------|-------------------|---|
| SITE: XXX | XX DRAWING NO. | XX PROJECT NO. | MM,DD,YY DATE. |  <p>133 Romina Dr, Concord, ON L4K 4Z9 Phone: 1(888)308-8898 email: info@nortwood.com www.nortwood.com</p> |
| TITLE: END @ PARAPET WITH CAP FLASHING | 1:2 SCALE AT A4. | AD DRAWN. | XX CHECKED. | |

| REVISIONS: | | | |
|------------|--------------|-----|----------|
| REV: | DESCRIPTION: | BY: | DATE: |
| A | description | by | xx/xx/xx |



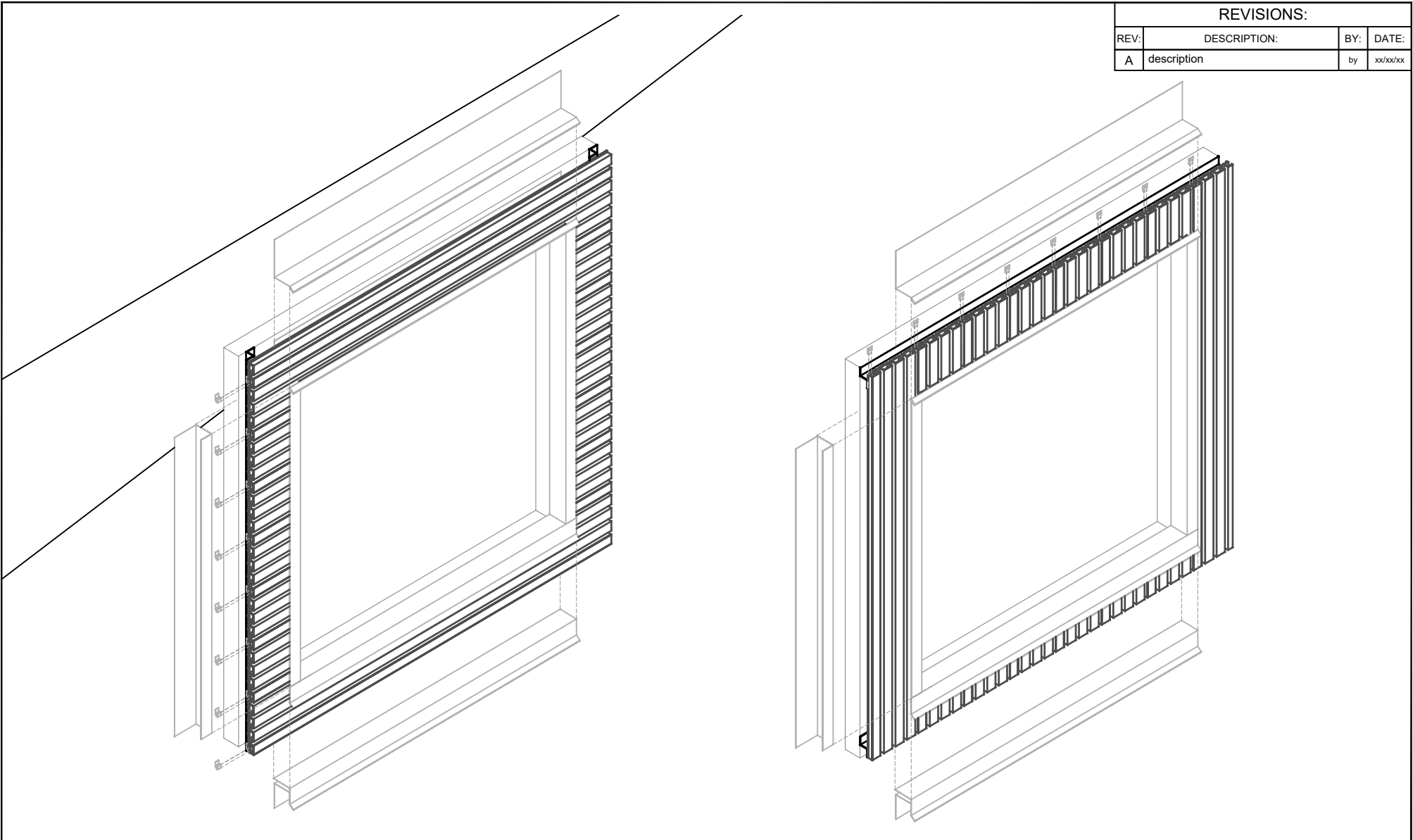
VERT. END AT PARAPET W/CAP FLASHING

| | | | |
|---|---------------------|-------------------|-----------------------------|
| SITE: XXX | XX DRAWING NO. | XX PROJECT NO. | MM,DD,YY DATE. |
| TITLE: END @ PARAPET WITH CAP FLASHING | 1:2 SCALE AT A4. | AD DRAWN. | XX 00 CHECKED. REVISION. |



133 Romina Dr, Concord, ON L4K 4Z9
 Phone: 1(888)308-8898 email: info@nortwood.com
 www.nortwood.com

| REVISIONS: | | | |
|------------|--------------|-----|----------|
| REV: | DESCRIPTION: | BY: | DATE: |
| A | description | by | xx/xx/xx |

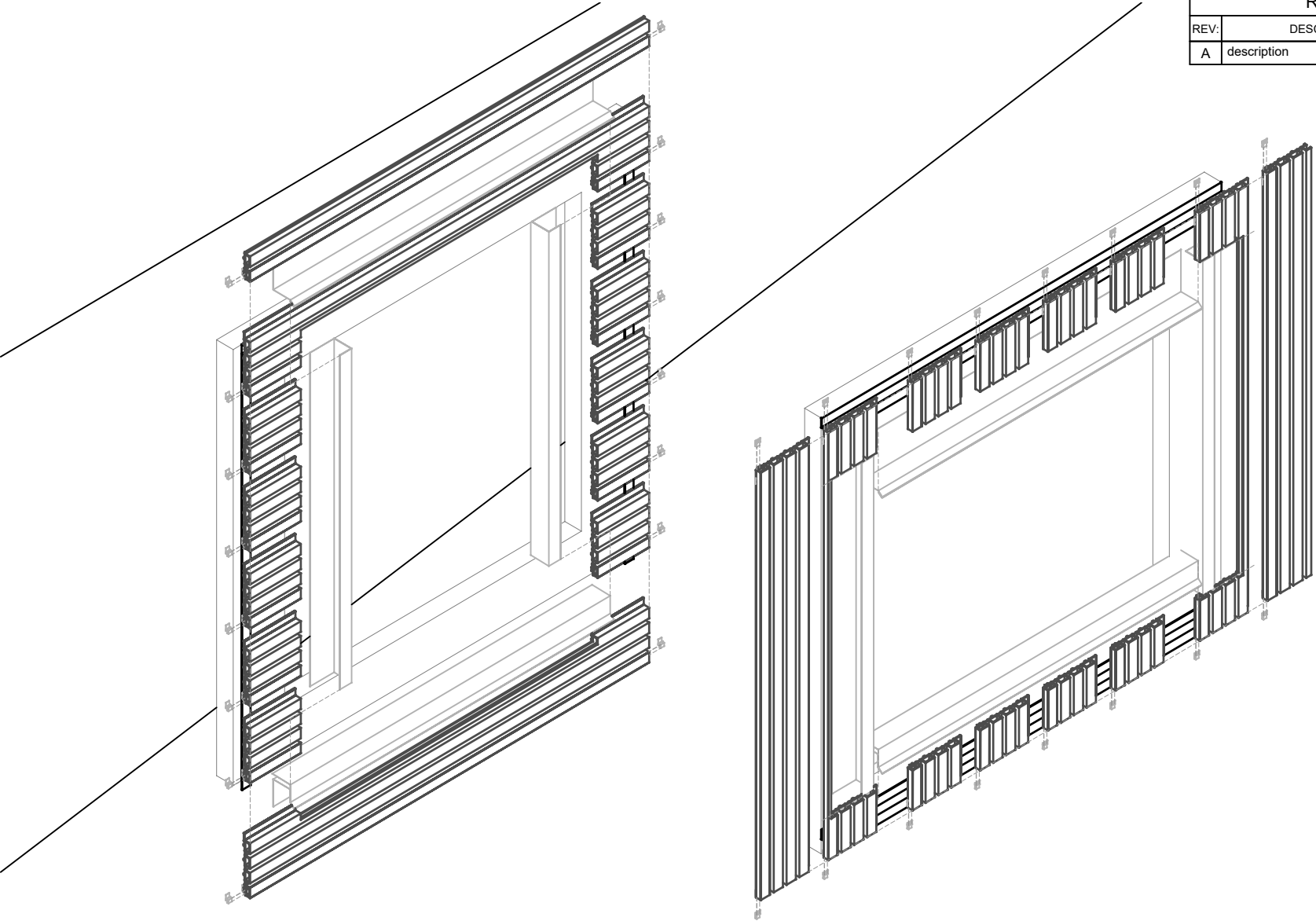


| | | | | |
|--------------|---------------------|--------------|-------------------|-------------------|
| SITE: XXX | XX DRAWING NO. | | XX PROJECT NO. | MM,DD,YY DATE. |
| TITLE: 3D | N/S SCALE AT A4. | AD DRAWN. | XX CHECKED. | 00 REVISION. |

NORTWOOD

133 Romina Dr, Concord, ON L4K 4Z9
 Phone: 1(888)308-8898 email: info@nortwood.com
 www.nortwood.com

| REVISIONS: | | | |
|------------|--------------|-----|----------|
| REV: | DESCRIPTION: | BY: | DATE: |
| A | description | by | xx/xx/xx |

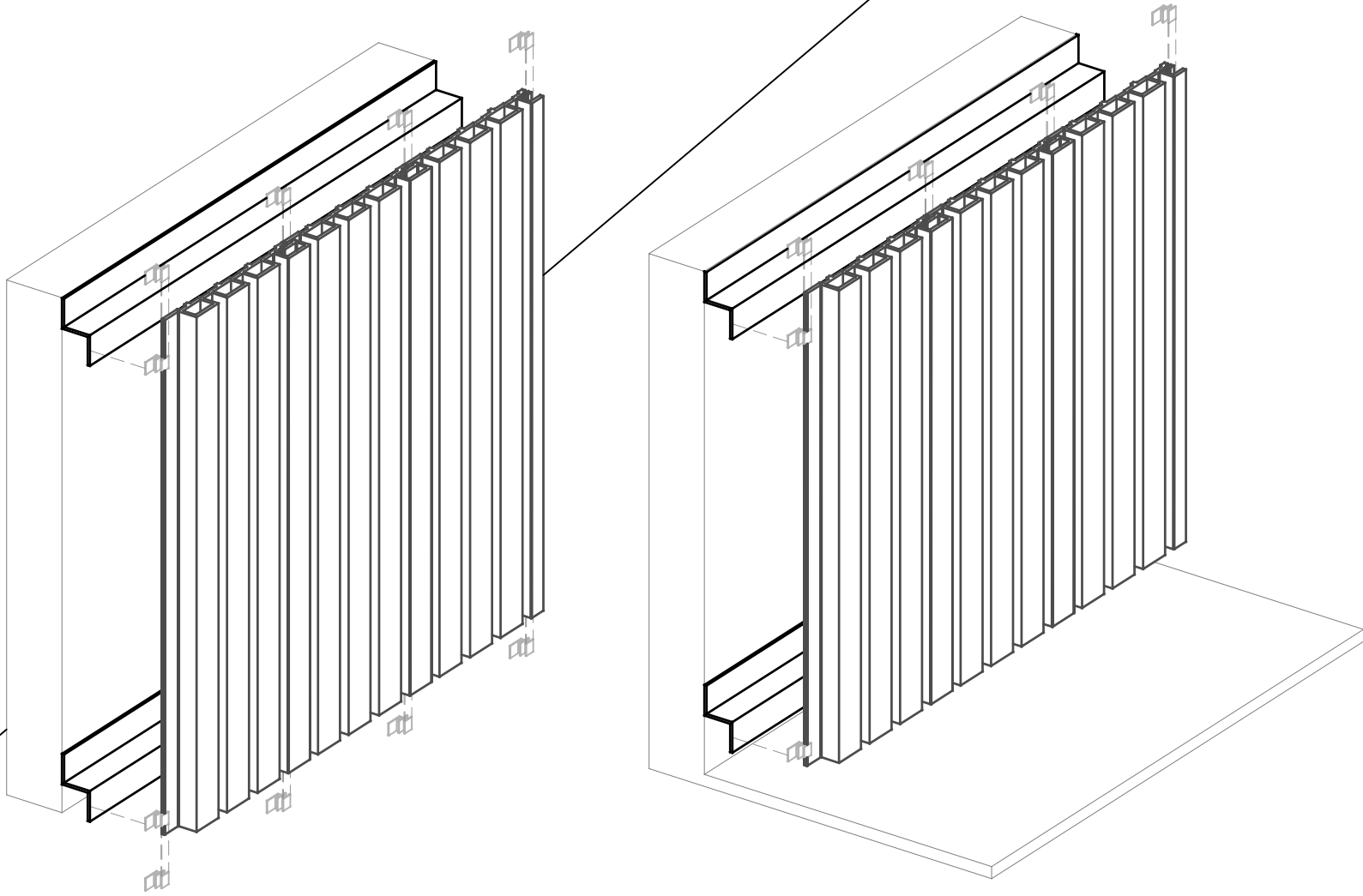



| | | | | |
|--------------|---------------------|--------------|-------------------|-------------------|
| SITE: XXX | XX DRAWING NO. | | XX PROJECT NO. | MM,DD,YY DATE. |
| TITLE: 3D | N/S SCALE AT A4. | AD DRAWN. | XX CHECKED. | 00 REVISION. |

NORTWOOD

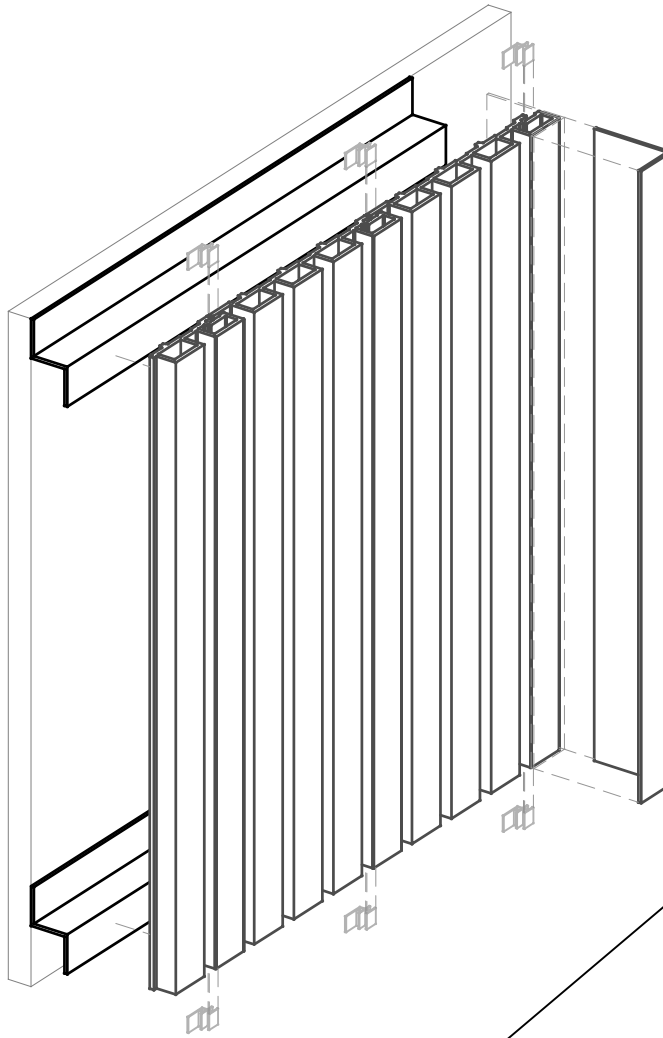
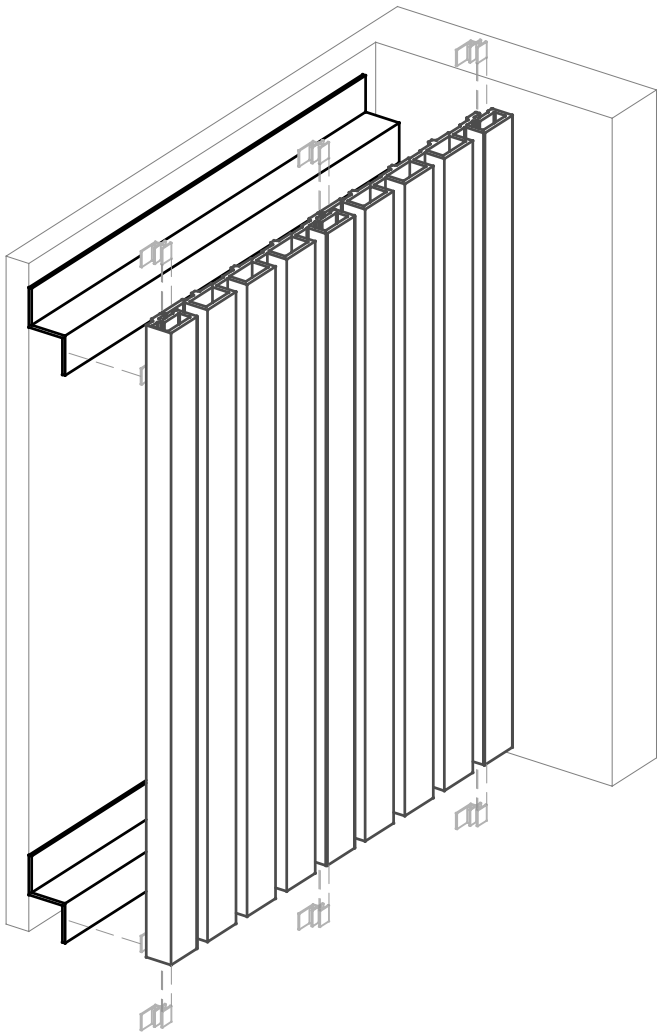
133 Romina Dr, Concord, ON L4K 4Z9
 Phone: 1(888)308-8898 email: info@nortwood.com
 www.nortwood.com

| REVISIONS: | | | |
|------------|--------------|-----|----------|
| REV: | DESCRIPTION: | BY: | DATE: |
| A | description | by | xx/xx/xx |



| | | | | |
|--------------|---------------------|-------------------|-------------------|---|
| SITE: XXX | XX DRAWING NO. | XX PROJECT NO. | MM,DD,YY DATE. |  <p>133 Romina Dr, Concord, ON L4K 4Z9 Phone: 1(888)308-8898 email: info@nortwood.com www.nortwood.com</p> |
| TITLE: 3D | N/S SCALE AT A4. | AD DRAWN. | XX CHECKED. | |

| REVISIONS: | | | |
|------------|--------------|-----|----------|
| REV: | DESCRIPTION: | BY: | DATE: |
| A | description | by | xx/xx/xx |



SITE:
XXX

XX
DRAWING NO.

XX
PROJECT NO.

MM,DD,YY
DATE.

TITLE:
3D

N/S
SCALE AT A4.

AD
DRAWN.

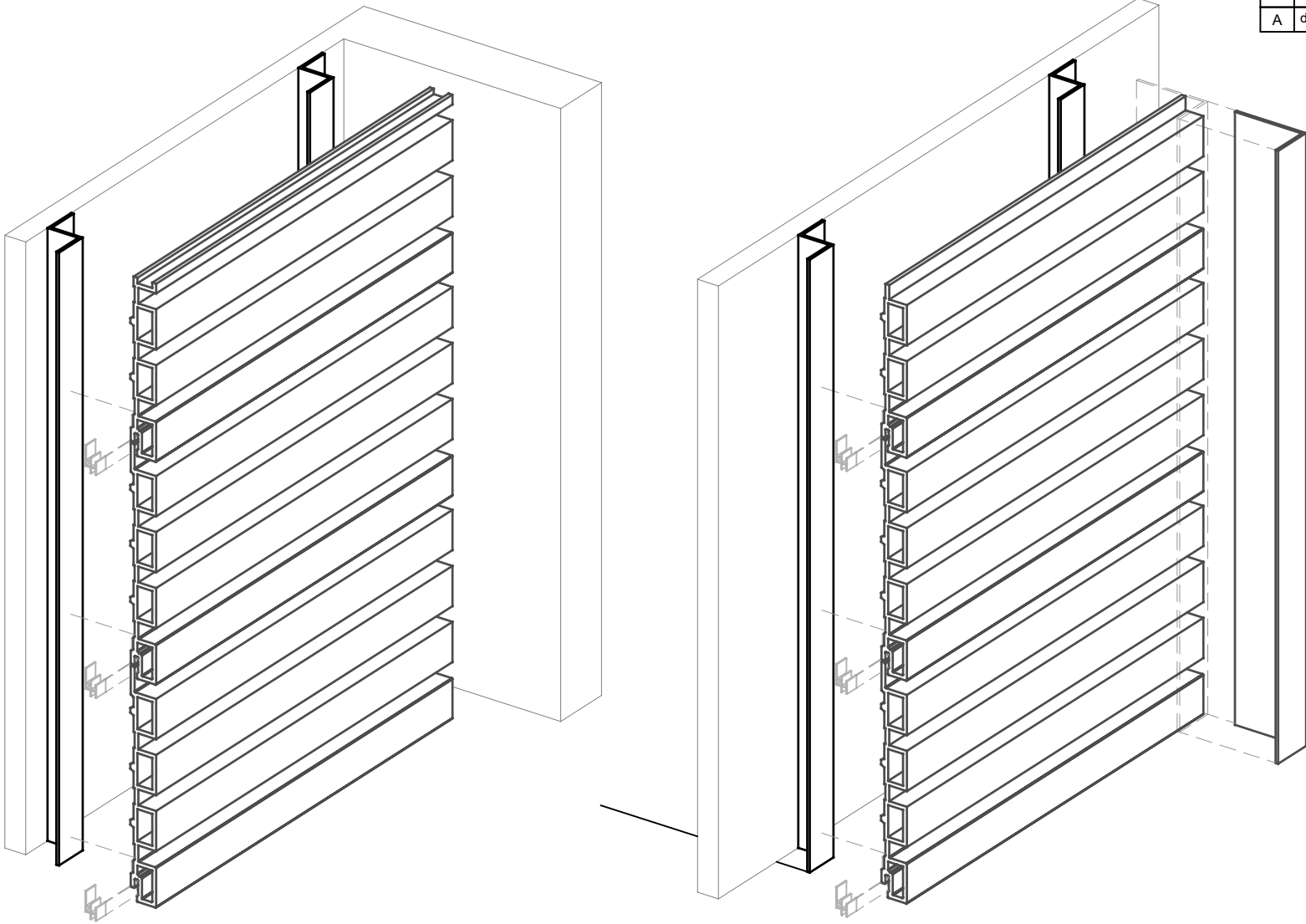
XX
CHECKED.


00
REVISION.

NORTWOOD

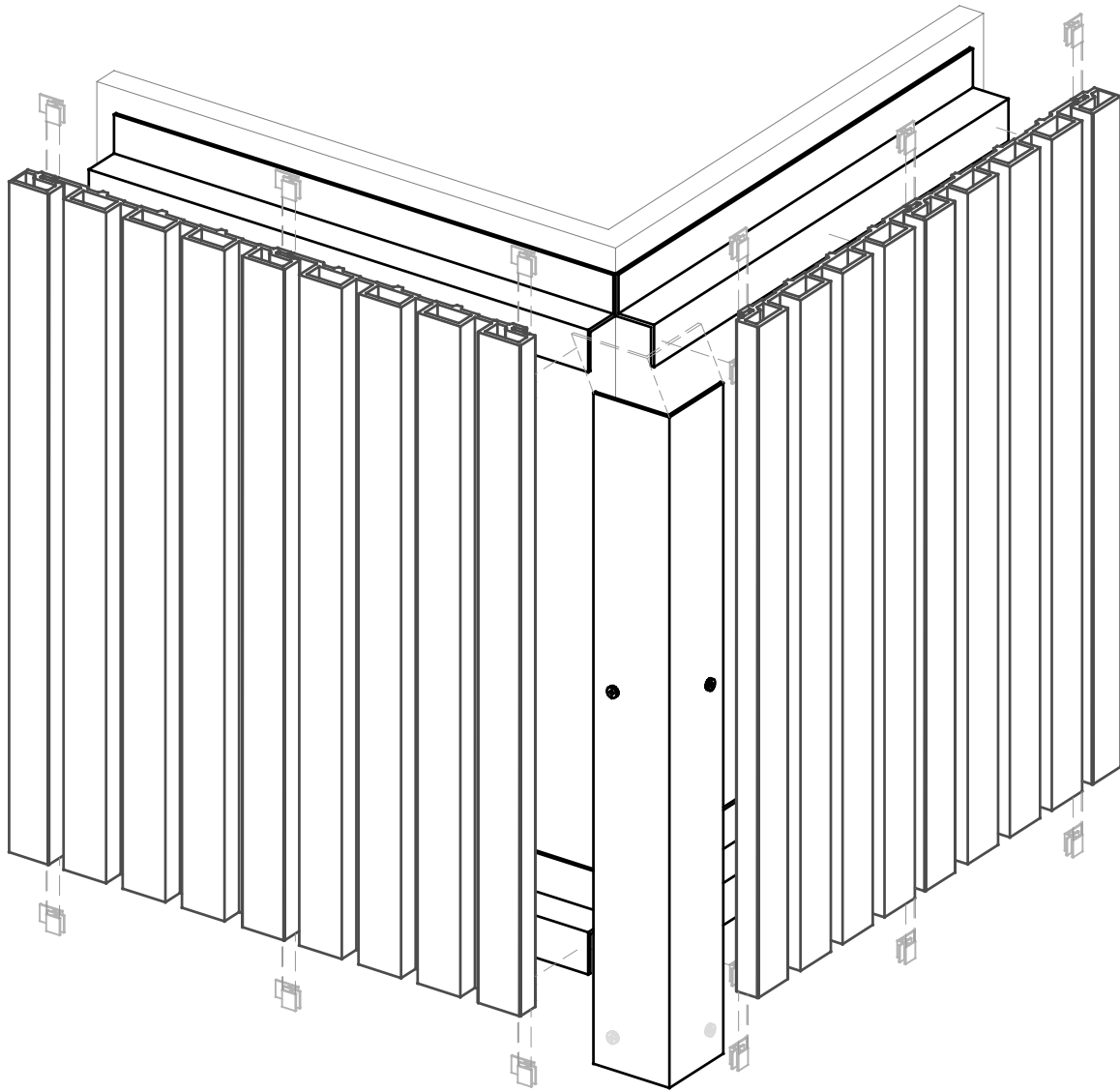
133 Romina Dr, Concord, ON L4K 4Z9
Phone: 1(888)308-8898 email: info@nortwood.com
www.nortwood.com

| REVISIONS: | | | |
|------------|--------------|-----|----------|
| REV: | DESCRIPTION: | BY: | DATE: |
| A | description | by | xx/xx/xx |



| | | | | | |
|--------------|-------------------|---------------------|-------------------|-------------------|---|
| SITE: XXX | XX DRAWING NO. | | XX PROJECT NO. | MM,DD,YY DATE. |  <p>133 Romina Dr, Concord, ON L4K 4Z9 Phone: 1(888)308-8898 email: info@nortwood.com www.nortwood.com</p> |
| | TITLE: 3D | N/S SCALE AT A4. | AD DRAWN. | XX CHECKED. | |

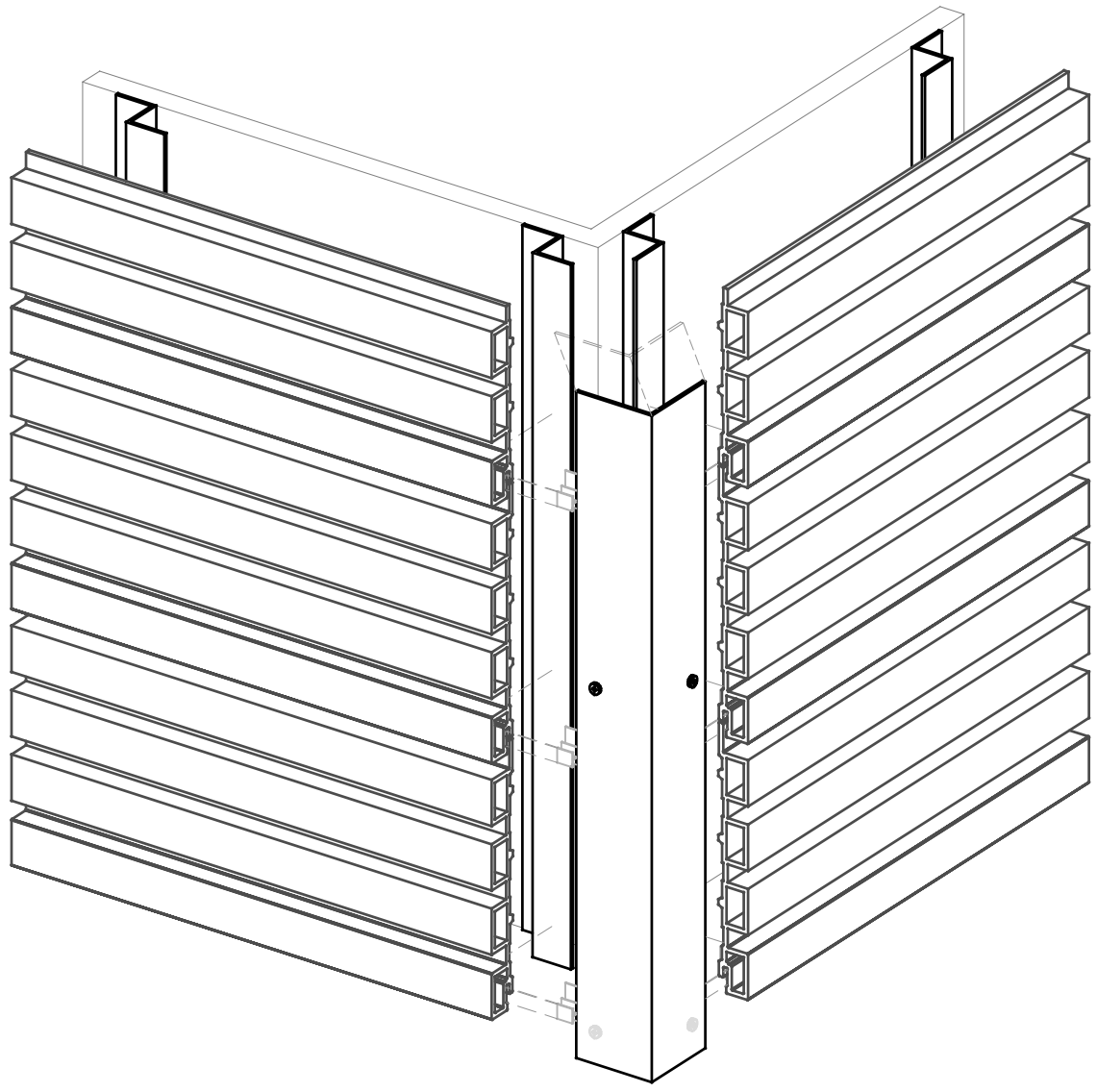
| REVISIONS: | | | |
|------------|--------------|-----|----------|
| REV: | DESCRIPTION: | BY: | DATE: |
| A | description | by | xx/xx/xx |




| | | | |
|--------------|---------------------|-------------------|-----------------------------|
| SITE: XXX | XX DRAWING NO. | XX PROJECT NO. | MM,DD,YY DATE. |
| TITLE: 3D | N/S SCALE AT A4. | AD DRAWN. | XX 00 CHECKED. REVISION. |

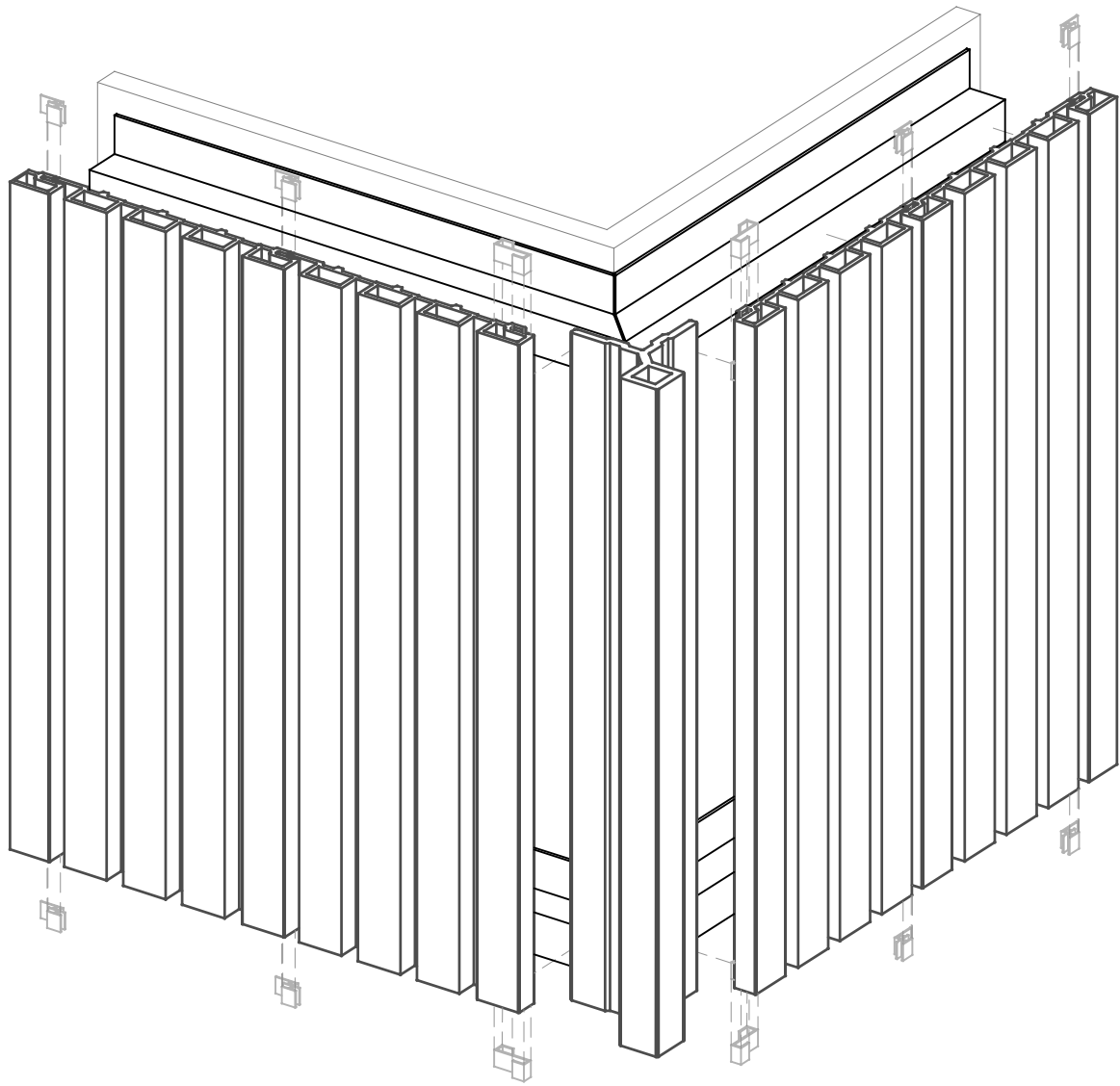
NORTWOOD

133 Romina Dr, Concord, ON L4K 4Z9
 Phone: 1(888)308-8898 email: info@nortwood.com
 www.nortwood.com



| REVISIONS: | | | |
|------------|--------------|-----|----------|
| REV: | DESCRIPTION: | BY: | DATE: |
| A | description | by | xx/xx/xx |

| | | | | | |
|--------------|-------------------|---------------------|-------------------|-------------------|---|
| SITE: XXX | XX DRAWING NO. | | XX PROJECT NO. | MM,DD,YY DATE. |  <p>133 Romina Dr, Concord, ON L4K 4Z9 Phone: 1(888)308-8898 email: info@nortwood.com www.nortwood.com</p> |
| | TITLE: 3D | N/S SCALE AT A4. | AD DRAWN. | XX CHECKED. | |



| REVISIONS: | | | |
|------------|--------------|-----|----------|
| REV: | DESCRIPTION: | BY: | DATE: |
| A | description | by | xx/xx/xx |

SITE: XXX

XX
DRAWING NO.

XX
PROJECT NO.

MM,DD,YY
DATE.

TITLE: 3D

N/S
SCALE AT A4.

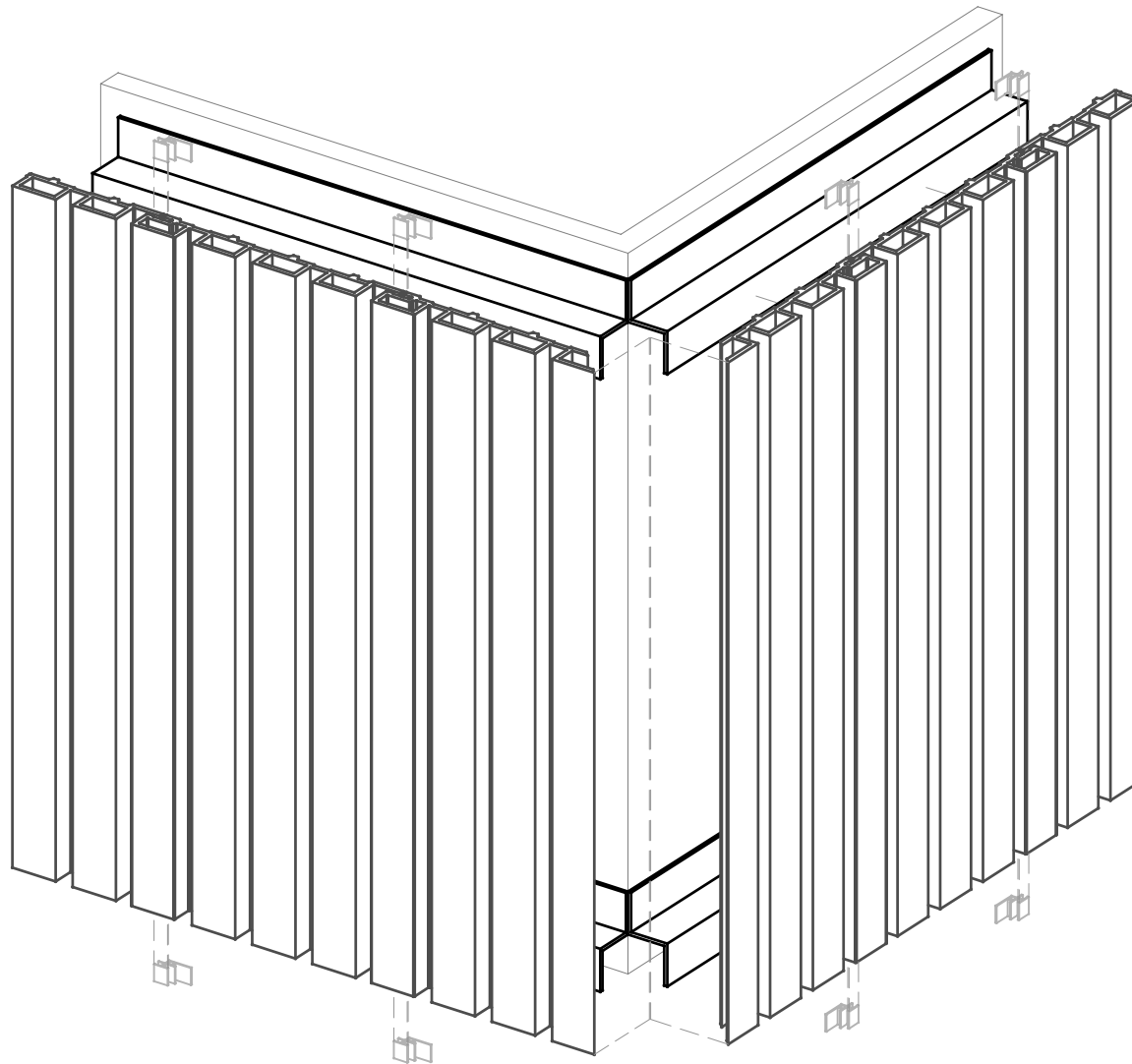
AD
DRAWN.

XX
CHECKED.

00
REVISION.



133 Romina Dr, Concord, ON L4K 4Z9
Phone: 1(888)308-8898 email: info@nortwood.com
www.nortwood.com



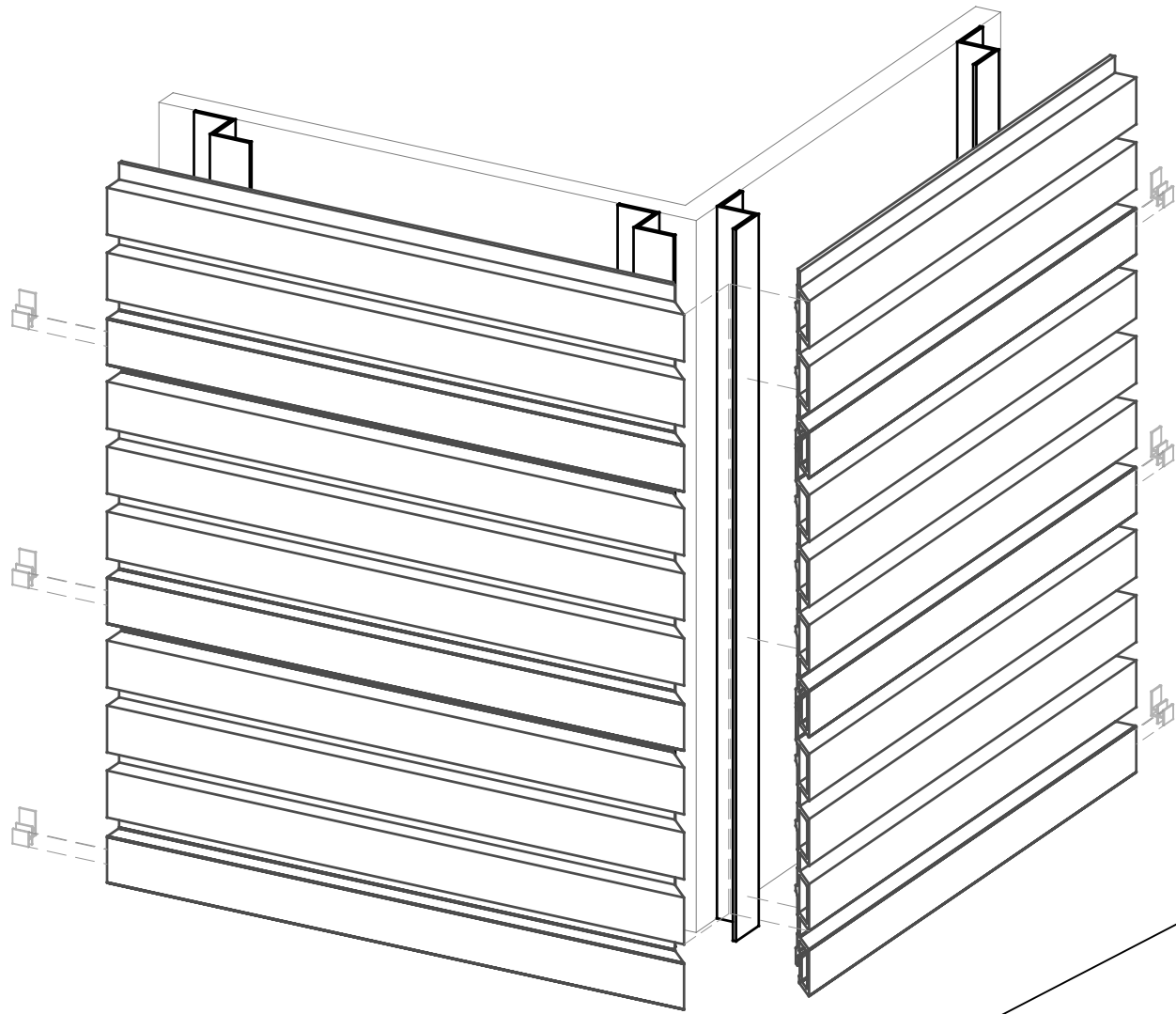
| REVISIONS: | | | |
|------------|--------------|-----|----------|
| REV: | DESCRIPTION: | BY: | DATE: |
| A | description | by | xx/xx/xx |


| | | | |
|--------------|---------------------|-------------------|-----------------------------|
| SITE: XXX | XX DRAWING NO. | XX PROJECT NO. | MM,DD,YY DATE. |
| TITLE: 3D | N/S SCALE AT A4. | AD DRAWN. | XX 00 CHECKED. REVISION. |

NORTWOOD

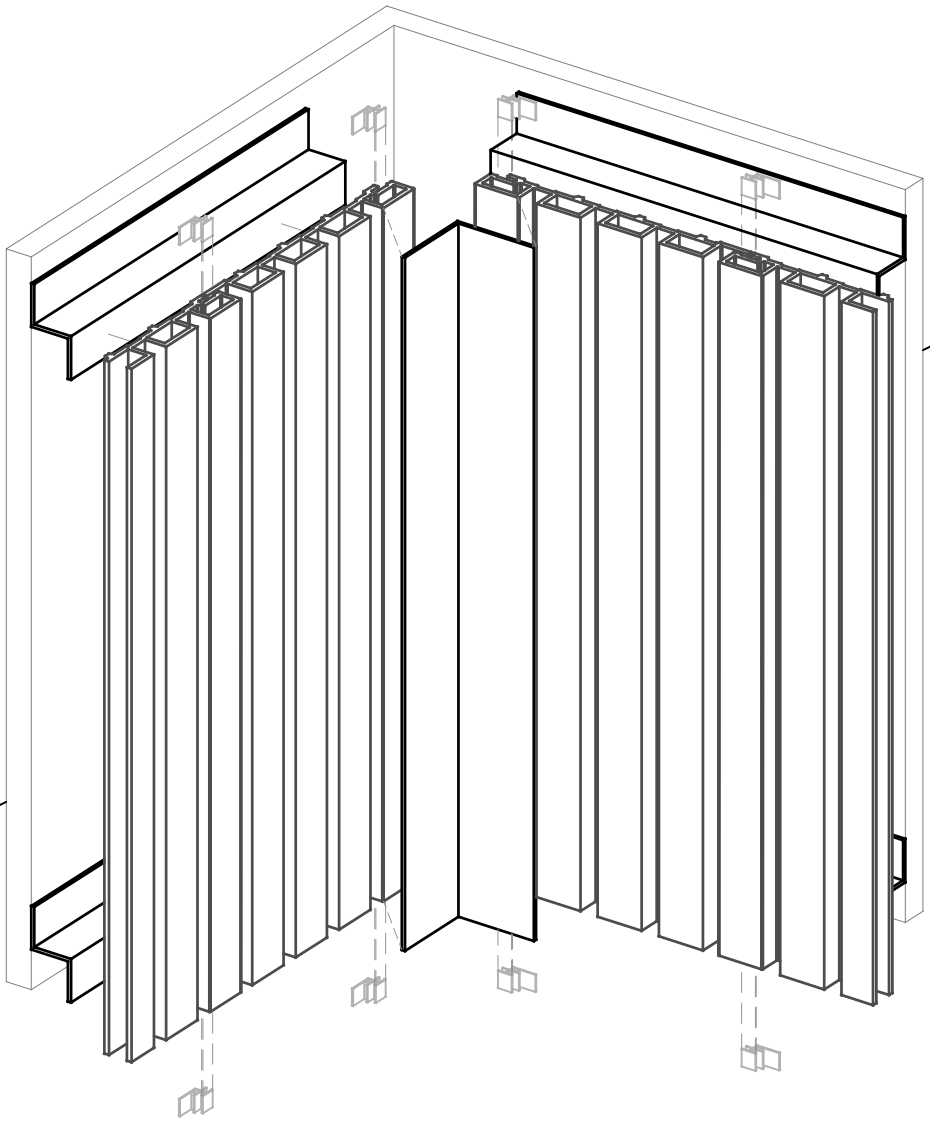
133 Romina Dr, Concord, ON L4K 4Z9
 Phone: 1(888)308-8898 email: info@nortwood.com
 www.nortwood.com


| REVISIONS: | | | |
|------------|--------------|-----|----------|
| REV: | DESCRIPTION: | BY: | DATE: |
| A | description | by | xx/xx/xx |



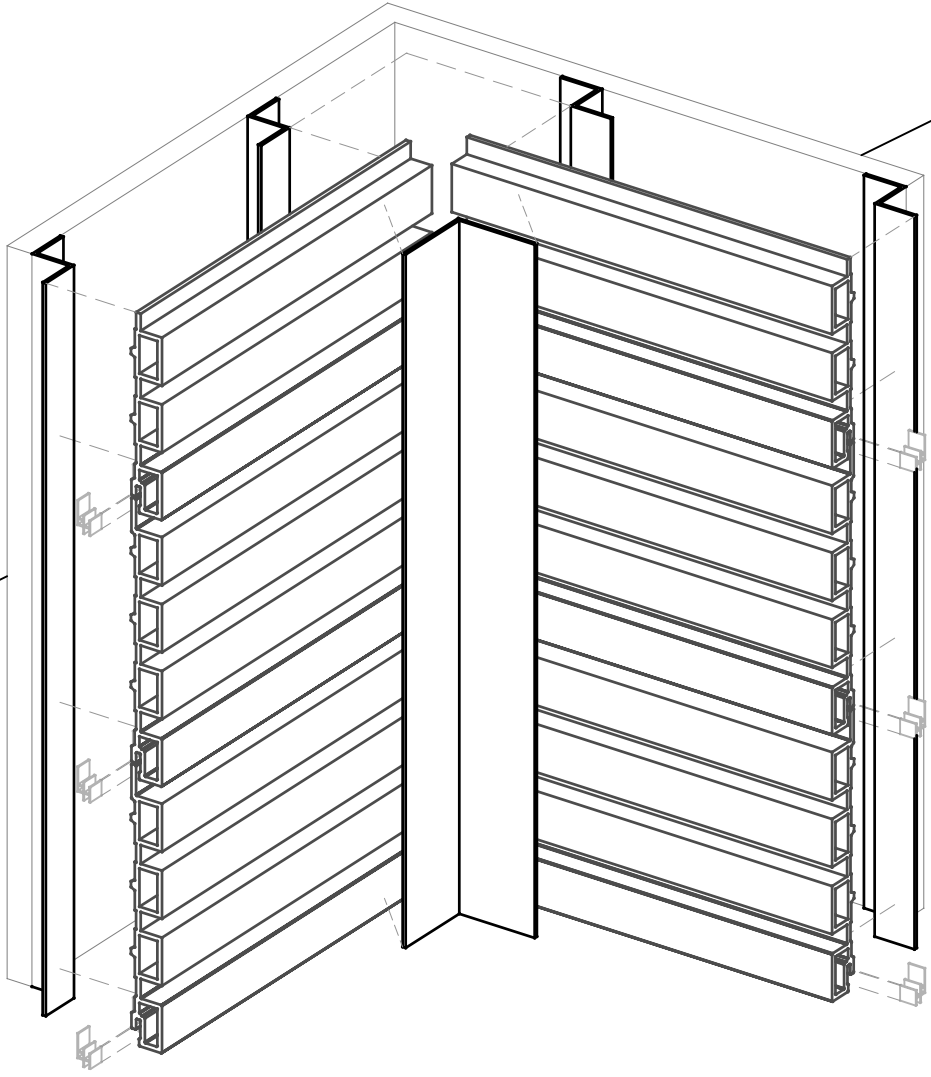
| | | | | |
|--------------|---------------------|-------------------|-------------------|---|
| SITE: XXX | XX DRAWING NO. | XX PROJECT NO. | MM,DD,YY DATE. |  <p>133 Romina Dr, Concord, ON L4K 4Z9 Phone: 1(888)308-8898 email: info@nortwood.com www.nortwood.com</p> |
| TITLE: 3D | N/S SCALE AT A4. | AD DRAWN. | XX CHECKED. | |


| REVISIONS: | | | |
|------------|--------------|-----|----------|
| REV: | DESCRIPTION: | BY: | DATE: |
| A | description | by | xx/xx/xx |



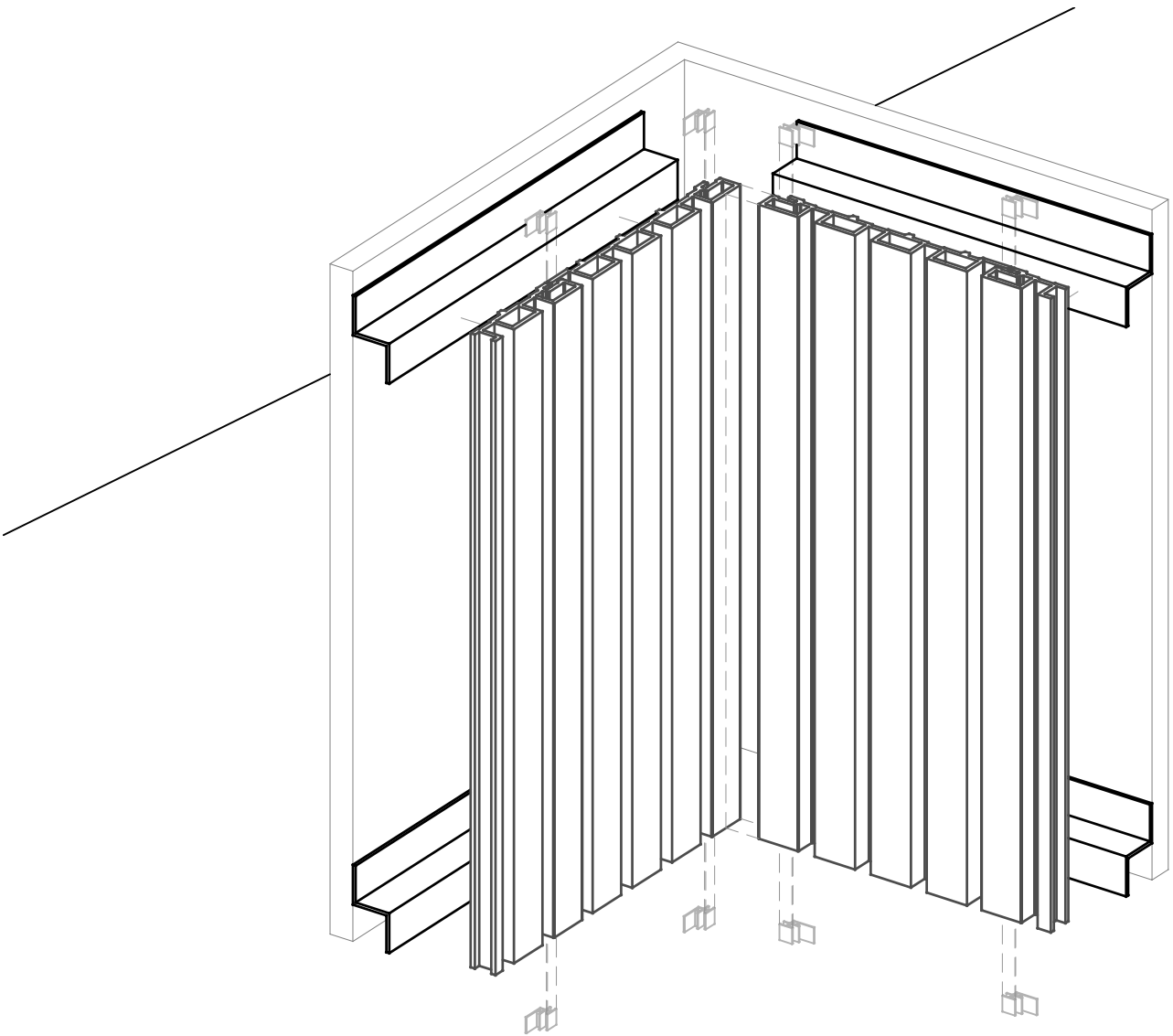
| | | | | |
|--------------|---------------------|-------------------|-------------------|---|
| SITE: XXX | XX DRAWING NO. | XX PROJECT NO. | MM,DD,YY DATE. |  <p>133 Romina Dr, Concord, ON L4K 4Z9 Phone: 1(888)308-8898 email: info@nortwood.com www.nortwood.com</p> |
| TITLE: 3D | N/S SCALE AT A4. | AD DRAWN. | XX CHECKED. | |

| REVISIONS: | | | |
|------------|--------------|-----|----------|
| REV: | DESCRIPTION: | BY: | DATE: |
| A | description | by | xx/xx/xx |



| | | | | |
|--------------|---------------------|-------------------|-------------------|---|
| SITE: XXX | XX DRAWING NO. | XX PROJECT NO. | MM,DD,YY DATE. |  <p>133 Romina Dr, Concord, ON L4K 4Z9 Phone: 1(888)308-8898 email: info@nortwood.com www.nortwood.com</p> |
| TITLE: 3D | N/S SCALE AT A4. | AD DRAWN. | XX CHECKED. | |

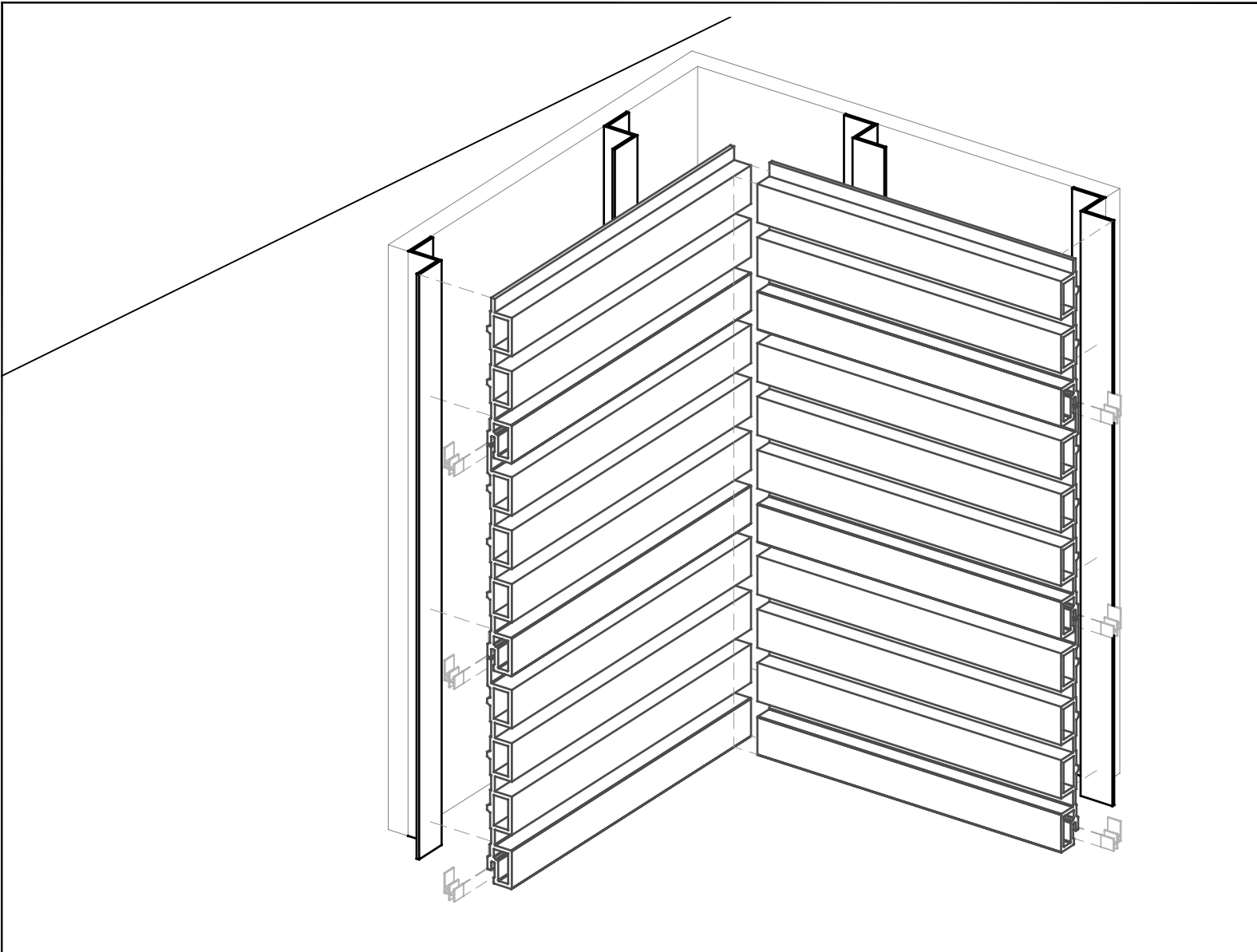
| REVISIONS: | | | |
|------------|--------------|-----|----------|
| REV: | DESCRIPTION: | BY: | DATE: |
| A | description | by | xx/xx/xx |



| | | | |
|--------------|---------------------|-------------------|-----------------------------|
| SITE: XXX | XX DRAWING NO. | XX PROJECT NO. | MM,DD,YY DATE. |
| TITLE: 3D | N/S SCALE AT A4. | AD DRAWN. | XX 00 CHECKED. REVISION. |

NORTWOOD

133 Romina Dr, Concord, ON L4K 4Z9
 Phone: 1(888)308-8898 email: info@nortwood.com
 www.nortwood.com



| REVISIONS: | | | |
|------------|--------------|-----|----------|
| REV: | DESCRIPTION: | BY: | DATE: |
| A | description | by | xx/xx/xx |

SITE: XXX

XX
DRAWING NO.

XX
PROJECT NO.

MM,DD,YY
DATE.

TITLE: 3D

N/S
SCALE AT A4.

AD
DRAWN.

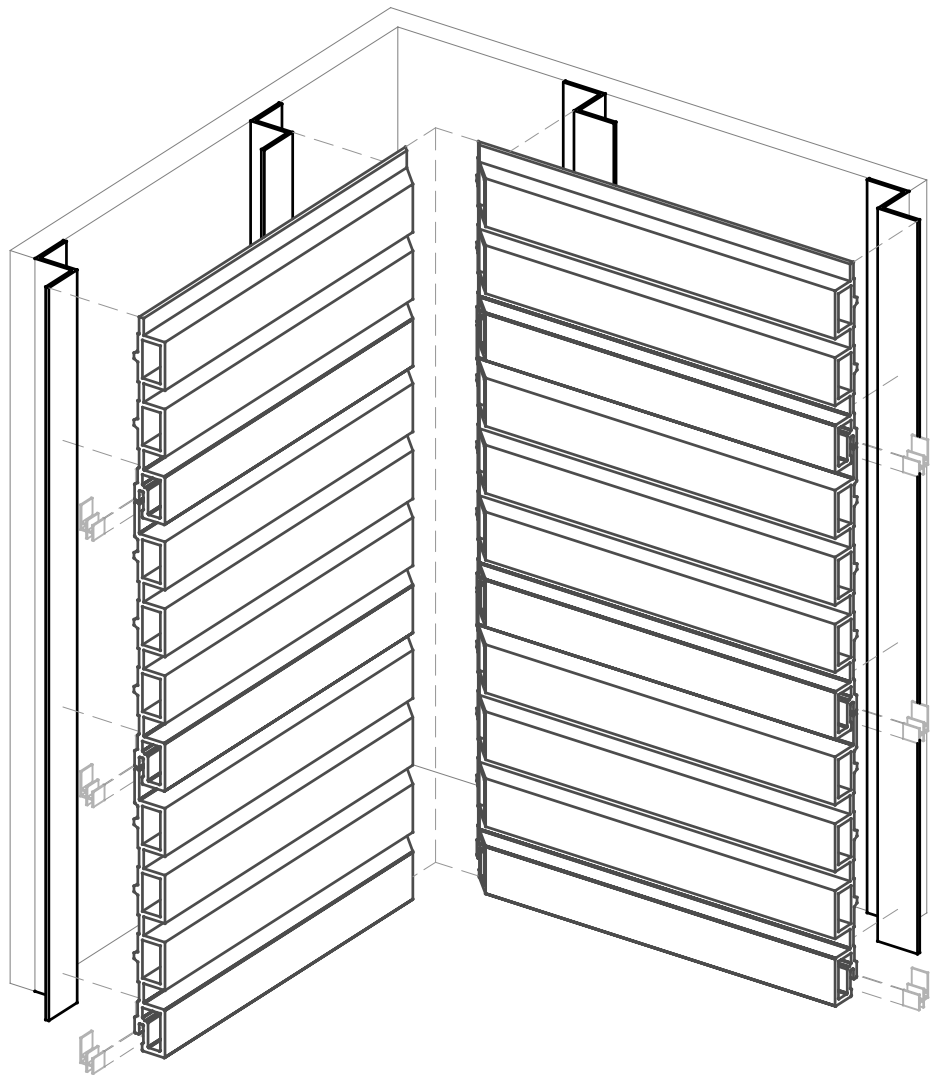
XX
CHECKED.


00
REVISION.

NORTWOOD

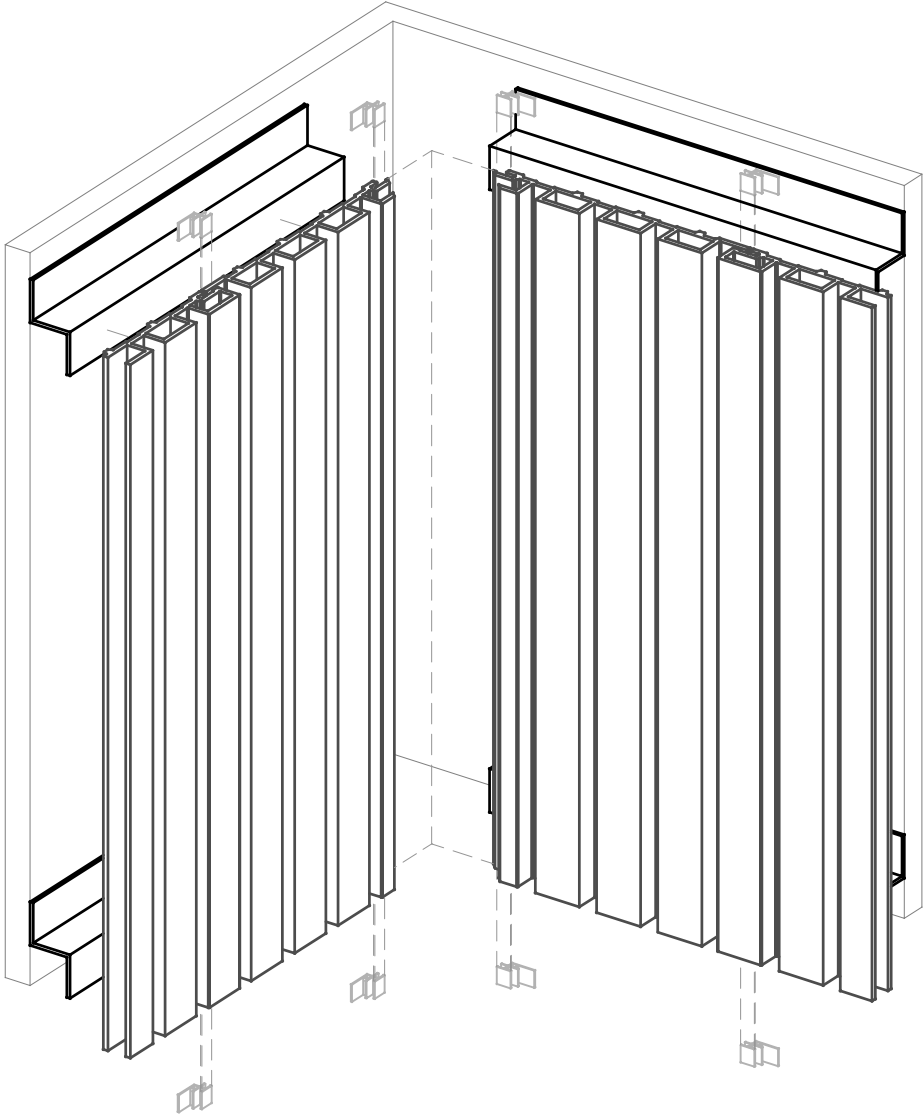
133 Romina Dr, Concord, ON L4K 4Z9
Phone: 1(888)308-8898 email: info@nortwood.com
www.nortwood.com


| REVISIONS: | | | |
|------------|--------------|-----|----------|
| REV: | DESCRIPTION: | BY: | DATE: |
| A | description | by | xx/xx/xx |



| | | | | |
|--------------|---------------------|-------------------|-------------------|---|
| SITE: XXX | XX DRAWING NO. | XX PROJECT NO. | MM,DD,YY DATE. |  <p>133 Romina Dr, Concord, ON L4K 4Z9 Phone: 1(888)308-8898 email: info@nortwood.com www.nortwood.com</p> |
| TITLE: 3D | N/S SCALE AT A4. | AD DRAWN. | XX CHECKED. | |

| REVISIONS: | | | |
|------------|--------------|-----|----------|
| REV: | DESCRIPTION: | BY: | DATE: |
| A | description | by | xx/xx/xx |



| | | | | |
|--------------|---------------------|-------------------|-------------------|---|
| SITE: XXX | XX DRAWING NO. | XX PROJECT NO. | MM,DD,YY DATE. |  <p>133 Romina Dr, Concord, ON L4K 4Z9 Phone: 1(888)308-8898 email: info@nortwood.com www.nortwood.com</p> |
| TITLE: 3D | N/S SCALE AT A4. | AD DRAWN. | XX CHECKED. | |